

Beta Three® professional audio products are specifically designed and engineered to meet the vast array of sound reinforcement applications that exist.

Beta Three® professional audio products have been developed collaboratively with Elder Audio and several European and American professional audio companies. AES and IEC standards are adhered to in the design and manufacture of all products.

Beta Three® professional audio products encompass a broad range of products so as to be able to meet the sound reinforcement requirements from a small space right up to a very large sized venue including schools, conference rooms, multifunction halls, gymnasiums, entertainment centres, theatre facilities, digital cinema venues, exhibition centres, and sporting stadiums.

Beta Three® professional audio products can be found in many premium installations around the world.

Beta Three® professional audio products are continually striving to improve their range. Elder Audio continues to make investment in Beta Three® research and development to ensure that they are on the cutting edge of all technologies.

| | |
|---|-----|
| Beta Three® Introduction | 1 |
| Speakers | |
| Thunder Series - Multi-Purpose Plastic Speaker | 4 |
| TW Series - Multi-Purpose Wooden Speaker | 13 |
| S Series - High SPL Plastic Speaker | 21 |
| Small PA System- Portable Pro Speaker System | 30 |
| QS Series - Versatile Plastic Speaker | 35 |
| FROG Series - Professional Speaker | 39 |
| Xi Series - Professional Speaker | 43 |
| HF Series - Hi-Fi Class Entertainment Speaker | 49 |
| Line Array Series - Line Array System | 58 |
| ΣH Series - Professional Performance Speaker | 72 |
| TH Series - Theatre Speaker | 75 |
| Column Series - Compact Full Range Column Speaker | 82 |
| Public Address - Public Address System | 93 |
| CS Series - Commercial Audio System | 97 |
| db Series - High SPL Sound Engine | 99 |
| Amplifiers - Professional Amplifiers | |
| DA Series - Digital Amplifier | 103 |
| B Series - Professional Power Amplifier | 104 |
| UA Series - Reliable Stereo Amplifier | 107 |
| NORM Series - Professional Power Amplifier | 116 |
| Q Series - Professional Power Amplifier | 125 |
| BA Series - Public Address Amplifier | 128 |
| Electronics | 136 |

Remarks:

1. Frequency Response is measured in an anechoic chamber - 1W @ 1m
2. Sensitivity represents the averaged value of the acoustic output as measured on the forward central axis of the cone at a distance of 1m, when connected to 1W pink noise - measured in an anechoic chamber.
3. Max. SPL (1W @ 1m) is measured in an anechoic chamber with short term pink noise signal.
4. Power rating is measured with the IEC#268-5 compliance standard, using a full range pink noise test signal applied continuously for 100 hours without any over heated or physical damage.

| | | | | | |
|-----------|----|--------------|-----|--------------|-----|
| T10 | 5 | SLA10H | 63 | NORM4.3 | 121 |
| T10a | 6 | SLA212B | 64 | NORM4.4 | 122 |
| T12 | 7 | TLA101 | 65 | NORM4.6 | 123 |
| T12a | 8 | TLA121 | 66 | NORM4.10 | 124 |
| T15 | 9 | TLA101F | 67 | Q3i | 125 |
| T15a | 10 | TLA121F | 68 | Q5i | 126 |
| T212B | 11 | TLB101F | 69 | Q7i | 127 |
| T212Ba | 12 | TLB121F | 70 | | |
| | | TLB218F | 71 | BA1602 | 129 |
| TW6 | 14 | | | BA3240 | 130 |
| TW8a | 15 | ΣH215 | 73 | BA5120 | 131 |
| TW10a | 16 | ΣH118B | 74 | BA5240 | 132 |
| TW12a | 17 | | | BA-120PCX | 133 |
| TW15a | 18 | TH115L | 76 | BA-240PCX | 134 |
| TW215a | 19 | TH118L | 77 | BA-240XCD5 | 135 |
| TW218Ba | 20 | TH218L | 78 | | |
| | | TH215/64/96 | 79 | ΣC4800 | 137 |
| S400 | 22 | TH306H/64/95 | 80 | ΣC8800 | 138 |
| S400a | 23 | TH315/64 | 81 | ΣC2600U | 139 |
| S800N | 24 | | | ΣC2402 | 140 |
| S800Na | 25 | T106 | 83 | C223+ | 141 |
| S1200N | 26 | T108 | 84 | DS1800 | 142 |
| S1200Na | 27 | T205 | 85 | EQ2231 | 143 |
| S1200H | 28 | T4.4 | 86 | ADC-1 | 144 |
| S1200B | 29 | T4.6 | 87 | DAC-1 | 145 |
| | | T4.8 | 88 | DP63X | 146 |
| MeLine S1 | 31 | MU401 | 89 | D248(F) | 147 |
| MeLine S2 | 32 | MU404 | 90 | PX7000 PX-4K | 148 |
| MAX 10.06 | 33 | MU408 | 91 | | |
| MAX 15.10 | 34 | MU448 | 92 | | |
| | | | | | |
| QS400 | 36 | BW6W | 94 | | |
| QS600/T | 37 | BT8/V | 95 | | |
| QS1000/T | 38 | BT10/V | 96 | | |
| | | | | | |
| FROG 10 | 40 | CS-1 | 98 | | |
| FROG 12 | 41 | | | | |
| FROG 15 | 42 | db1100-mp3 | 100 | | |
| | | db6100 | 101 | | |
| X8i | 44 | | | | |
| X10i | 45 | DA16M | 103 | | |
| X12i | 46 | B10 | 104 | | |
| X15i | 47 | B20 | 105 | | |
| X18Bi | 48 | B20i | 106 | | |
| | | UA330 | 107 | | |
| HF101 | 50 | UA660 | 108 | | |
| HF102 | 51 | UA1330 | 109 | | |
| HF110 | 52 | UA2000 | 110 | | |
| HF121 | 53 | UA332 | 111 | | |
| HF151 | 54 | UA662 | 112 | | |
| HF153 | 55 | UA1332 | 113 | | |
| HF181B | 56 | UA2002 | 114 | | |
| HF182B | 57 | UA2500 | 115 | | |
| | | | | | |
| R4/R8+ | 59 | NORM2.3 | 117 | | |
| R5/R10+ | 60 | NORM2.4 | 118 | | |
| R6/R12 | 61 | NORM2.6 | 119 | | |
| R6/R12a | 62 | NORM2.10 | 120 | | |



Beta Three

4

Thunder SERIES

Multi-Purpose Plastic Speaker

The Beta Three® Thunder Series speakers have been designed and engineered to be used in multi-purpose sound reinforcement applications either indoors or outdoors and offer high output with a smooth frequency response.

T10

T10a

T12

T12a

T15

T15a

T212B

T212Ba

Product Description:

Portable and installed plastic loudspeakers used in applications including sound reinforcement in Front of House and Foldback applications in house of worship, events, clubs, rehearsal etc. Both active and passive version deliver extraordinary performance at unmatched value.

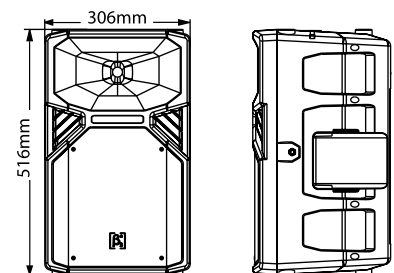
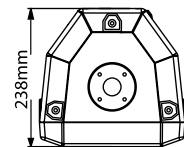
Key Features and Benefits:

- Compact and light weight design, unique appearance
- Heavy duty protective grill
- 35mm pole adaptor system allow vertical application or dispersion 5 degree downward
- Integrated Monitor free feet allow the easy stage monitor application
- M8 rigging points(available for full range models) are very convenient for different installation



System Specifications:

| | |
|-------------------------------------|--------------------------|
| Construction | Plastic |
| Transducers | 1 x 1.3" HF + 1 x 10" LF |
| Frequency Response (-3dB) | 50Hz-19kHz |
| Rated Power | 300W (RMS) |
| Sensitivity (1W @ 1m) | 90dB |
| Maximum SPL | 119dB (Peak) |
| Rated Impedance | 8Ω |
| Dispersion (H x V) | 90° x 60° |
| Connector | 2 x NL4 |
| Dimensions (W x D x H) | 306mm x 238mm x 516mm |
| Packaging Dimensions (1 piece/pack) | 355mm x 355mm x 602mm |
| Net Weight (1 piece/pack) | 13.2kg |
| Gross Weight (1 piece/pack) | 14.7kg |

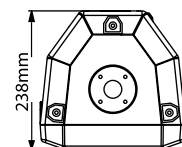


Product Description:

Portable and installed plastic loudspeakers used in applications including sound reinforcement in Front of House and Foldback applications in house of worship, events, clubs, rehearsal etc. Both active and passive version deliver extraordinary performance at unmatched value.

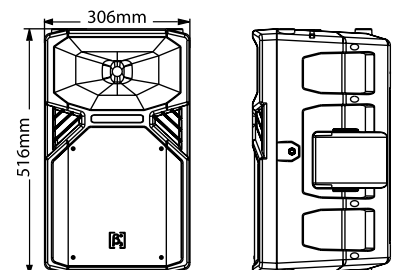
Key Features and Benefits:

- Light weight portable powered speakers
- 550 watt continuous Class D power modules
- Extensive DSP enhances system performance
- Rugged ABS enclosures
- Heavy duty protective grill
- 35mm pole adaptor system allow vertical application or dispersion 5 degree downward
- Integrated Monitor feet allow the easy stage monitor application
- M8 rigging points are convenient for different installation



System Specifications:

| | |
|-------------------------------------|---|
| Construction | Plastic |
| Transducers | 1 x 1.3" HF + 1 x 10" LF |
| Frequency Response (-3dB) | 55Hz-20kHz |
| Rated Power | 550W (RMS) |
| Amplifier Type | Class D |
| Maximum SPL (1W @ 1m) | 124dB (Peak) |
| Input Impedance | Balanced 20k Ω , Unbalanced 10k Ω |
| Rated Impedance | 8 Ω |
| Dispersion (H x V) | 90° x 60° |
| Connector | XLR/TRS |
| Power Supply | 115V/230V |
| Dimensions (W x D x H) | 306mm x 238mm x 516mm |
| Packaging Dimensions (1 piece/pack) | 345mm x 345mm x 582mm |
| Net Weight (1 piece/pack) | 13.8kg |
| Gross Weight (1 piece/pack) | 15.3kg |



Product Description:

Portable and installed plastic loudspeakers used in applications including sound reinforcement in Front of House and Foldback applications in house of worship, events, clubs, rehearsal etc. Both active and passive version deliver extraordinary performance at unmatched value.

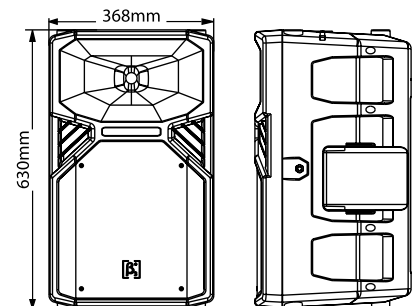
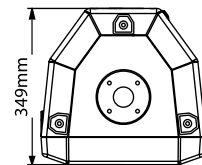
Key Features and Benefits:

- Compact and light weight design, unique appearance
- Heavy duty protective grill
- 35mm pole adaptor system allow vertical application or dispersion 5 degree downward
- Integrated Monitor free feet allow the easy stage monitor application
- M8 rigging points(available for full range models) are very convenient for different installation



System Specifications:

| | |
|-------------------------------------|--------------------------|
| Construction | Plastic |
| Transducers | 1 x 1.7" HF + 1 x 12" LF |
| Frequency Response (-3dB) | 50Hz-19kHz |
| Rated Power | 400W (RMS) |
| Sensitivity (1W @ 1m) | 95dB |
| Maximum SPL (1W @ 1m) | 121dB (Peak) |
| Rated Impedance | 8Ω |
| Dispersion (H x V) | 90° x 60° |
| Connector | 2 x NL4 |
| Dimensions (W x D x H) | 368mm x 349mm x 630mm |
| Packaging Dimensions (1 piece/pack) | 420mm x 410mm x 720mm |
| Net Weight (1 piece/pack) | 20.0kg |
| Gross Weight (1 piece/pack) | 22.0kg |

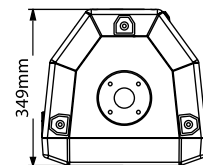


Product Description:

Portable and installed plastic loudspeakers used in applications including sound reinforcement in Front of House and Foldback applications in house of worship, events, clubs, rehearsal etc. Both active and passive version deliver extraordinary performance at unmatched value.

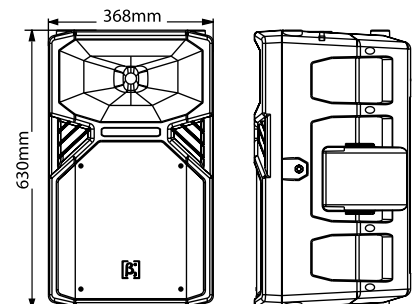
Key Features and Benefits:

- Light weight portable powered speakers
- 1100 watt continuous Class D power modules
- Extensive DSP enhances system performance
- Rugged ABS enclosures
- Heavy duty protective grill
- 35mm pole adaptor system allow vertical application or dispersion 5 degree downward
- Integrated Monitor feet allow the easy stage monitor application
- M8 rigging points are convenient for different installation



System Specifications:

| | |
|-------------------------------------|--------------------------------|
| Construction | Plastic |
| Transducers | 1 x 1.7" HF + 1 x 12" LF |
| Frequency Response (-3dB) | 50Hz-20kHz |
| Rated Power | 1100W (RMS) |
| Amplifier Type | HF Class AB, LF Class D |
| Maximum SPL (1W @ 1m) | 130dB (Peak) |
| Input Impedance | Balanced 20kΩ, Unbalanced 10kΩ |
| Rated Impedance | 8Ω |
| Dispersion (H x V) | 90° x 60° |
| Connector | XLR/TRS |
| Power Supply | 115V/230V |
| Dimensions (W x D x H) | 368mm x 349mm x 630mm |
| Packaging Dimensions (1 piece/pack) | 420mm x 410mm x 710mm |
| Net Weight (1 piece/pack) | 21.5kg |
| Gross Weight (1 piece/pack) | 23.5kg |

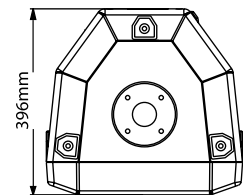


Product Description:

Portable and installed plastic loudspeakers used in applications including sound reinforcement in Front of House and Foldback applications in house of worship, events, clubs, rehearsal etc. Both active and passive version deliver extraordinary performance at unmatched value.

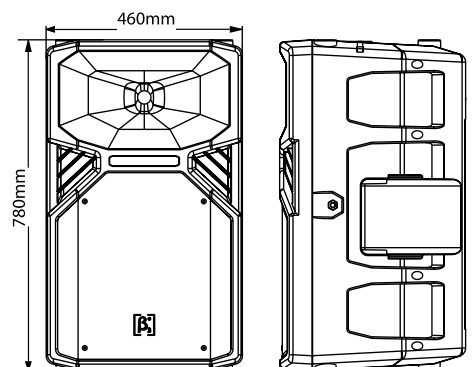
Key Features and Benefits:

- Compact and light weight design, unique appearance
- Heavy duty protective grill
- 35mm pole adaptor system allow vertical application or dispersion 5 degree downward
- Integrated Monitor free feet allow the easy stage monitor application
- M8 rigging points(available for full range models) are very convenient for different installation



System Specifications:

| | |
|-------------------------------------|--------------------------|
| Construction | Plastic |
| Transducers | 1 x 1.7" HF + 1 x 15" LF |
| Frequency Response (-3dB) | 45Hz-17kHz |
| Rated Power | 500W (RMS) |
| Sensitivity (1W @ 1m) | 96dB |
| Maximum SPL (1W @ 1m) | 123dB (Peak) |
| Rated Impedance | 8Ω |
| Dispersion (H x V) | 90° x 60° |
| Connector | 2 x NL4 |
| Dimensions (W x D x H) | 460mm x 396mm x 780mm |
| Packaging Dimensions (1 piece/pack) | 518mm x 470mm x 845mm |
| Net Weight (1 piece/pack) | 27.0kg |
| Gross Weight (1 piece/pack) | 30.3kg |

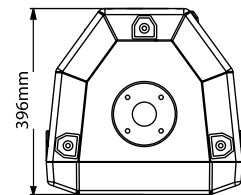


Product Description:

Portable and installed plastic loudspeakers used in applications including sound reinforcement in Front of House and Foldback applications in house of worship, events, clubs, rehearsal etc. Both active and passive version deliver extraordinary performance at unmatched value.

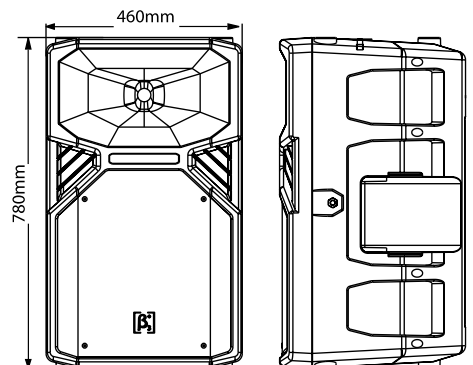
Key Features and Benefits:

- Light weight portable powered speakers
- 1100 watt continuous Class D power modules
- Extensive DSP enhances system performance
- Rugged ABS enclosures
- Heavy duty protective grill
- 35mm pole adaptor system allow vertical application or dispersion 5 degree downward
- Integrated Monitor feet allow the easy stage monitor application
- M8 rigging points are convenient for different installation



System Specifications:

| | |
|-------------------------------------|---|
| Construction | Plastic |
| Transducers | 1 x 1.7" HF + 1 x 15" LF |
| Frequency Response (-3dB) | 45Hz-17kHz |
| Rated Power | 1100W (RMS) |
| Amplifier Type | Class D |
| Maximum SPL (1W @ 1m) | 133dB (Peak) |
| Input Impedance | Balanced 20k Ω , Unbalanced 10k Ω |
| Rated Impedance | 8 Ω |
| Dispersion (H x V) | 90° x 60° |
| Connector | XLR/TRS |
| Power Supply | 110V/220V |
| Dimensions (W x D x H) | 460mm x 396mm x 780mm |
| Packaging Dimensions (1 piece/pack) | 518mm x 470mm x 845mm |
| Net Weight (1 piece/pack) | 28.7kg |
| Gross Weight (1 piece/pack) | 32.0kg |



Product Description:

Portable and installed plastic loudspeakers used in applications including sound reinforcement in Front of House and Foldback applications in house of worship, events, clubs, rehearsal etc. Both active and passive version deliver extraordinary performance at unmatched value.

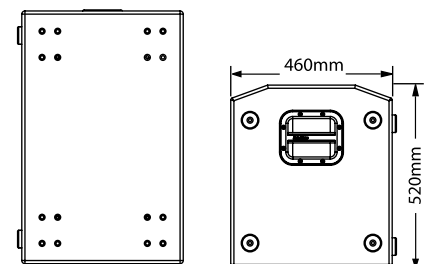
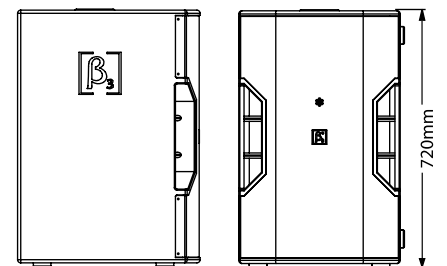
Key Features and Benefits:

- Light weight passive bass speaker
- Heavy duty protective grill
- High intensity design wooden cabinet
- 35mm pole mount on top
- M8 rigging points are convenient for different installation
- Suitable for use with any full range or mid/high speaker cabinets for extended low frequency, high quality music reproduction



System Specifications:

| | |
|-------------------------------------|-----------------------|
| Construction | Wooden |
| Transducers | 2 x 12" LF |
| Frequency Response (-3dB) | 48Hz-2.2kHz |
| Rated Power | 800W (RMS) |
| Sensitivity (1W @ 1m) | 96dB |
| Maximum SPL | 131dB |
| Rated Impedance | 8Ω |
| Connector | 2xNL4 |
| Dimensions (W x D x H) | 460mm x 520mm x 720mm |
| Packaging Dimensions (1 piece/pack) | 570mm x 620mm x 830mm |
| Net Weight (1 piece/pack) | 39.0kg |
| Gross Weight (1 piece/pack) | 42.0kg |



Product Description:

Portable and installed plastic loudspeakers used in applications including sound reinforcement in Front of House and Foldback applications in house of worship, events, clubs, rehearsal etc. Both active and passive version deliver extraordinary performance at unmatched value.

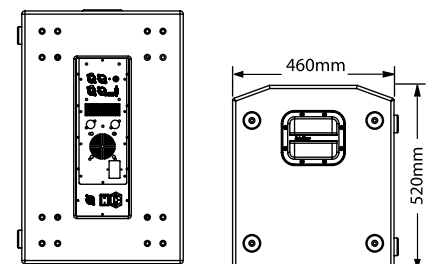
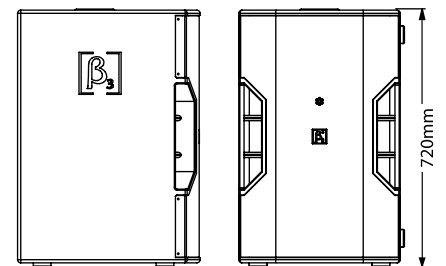
Key Features and Benefits:

- Light weight powered bass speaker
- 1300 watt continuous Class D power modules
- Extensive DSP enhances system performance
- Heavy duty protective grill
- High intensity design wooden cabinet
- 35mm pole mount on top
- M8 rigging points are convenient for different installation



System Specifications:

| | |
|-------------------------------------|---|
| Construction | Birch plywood |
| Transducers | 2 x 12" LF |
| Frequency Response (-3dB) | 38Hz-1.8kHz |
| Rated Power | 1300W (RMS) |
| Amplifier Type | Class D |
| Maximum SPL (1W @ 1m) | 135dB (Peak) |
| Input Impedance | Balanced 20k Ω , Unbalanced 10k Ω |
| Rated Impedance | 8 Ω |
| Connector | XLR/TRS |
| Power Supply | 115V/230V |
| Dimensions (W x D x H) | 460mm x 520mm x 720mm |
| Packaging Dimensions (1 piece/pack) | 570mm x 620mm x 830mm |
| Net Weight (1 piece/pack) | 41.0kg |
| Gross Weight (1 piece/pack) | 45.6kg |



TW SERIES

Multi-Purpose Wooden Speaker

The Beta Three® TW Series speakers have been designed and engineered to be used in multi-purpose sound reinforcement applications either for live performances or fixed installations. TW series is built with very robust components to deliver high power and good quality sound at MAX SPL 3db higher than others.

TW6

TW8a

TW10a

TW12a

TW15a

TW215a

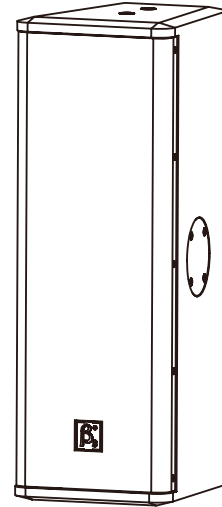
TW218Ba

Product Description:

Portable and installed passive loudspeaker used in applications including sound reinforcement in Front of House and Foldback applications in house of worship, events, clubs, rehearsal etc. TW6 delivers extraordinary performance at unmatched value.

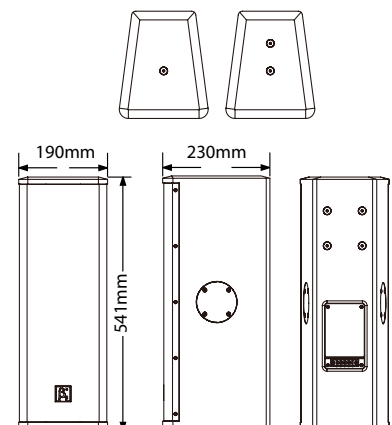
Key Features and Benefits:

- High SPL output and sensitivity
- 2x6" high power LF transducers
- 1x1" compression HF driver
- Computer aided design to optimise frequency and phase response
- Integrated pole mount adaptor at bottom
- Portable stand or permanent installation (wall, ceiling, under balcony)
- Suitable for use as a main system with or without sub speaker augmentation
- Power coated protective grill
- Durable Polyurethane textured base paint



System Specifications:

| | |
|-------------------------------------|---------------------------------------|
| Construction | 15mm MDF |
| Transducers | 1x1" HF+2x6" LF |
| Frequency Response (-3dB) | 120Hz-19kHz |
| Rated Power | 160W(RMS), 320W(Program), 640W (Peak) |
| Sensitivity(1W@1m) | 92dB |
| Maximum SPL | 108dB/114dB(peak) |
| Rated Impedance | 8Ω |
| Dispersion (H x V) | 90° x 80° |
| Connector | Clamp terminal |
| Dimensions (W x D x H) | 190x230x541mm |
| Packaging Dimensions (1 piece/pack) | 450x290x600mm |
| Net Weight (1 piece/pack) | 11.5kg |
| Gross Weight (1 piece/pack) | 13.0kg |



Product Description:

Portable and installed active loudspeakers used in applications including sound reinforcement in Front of House and Foldback applications in house of worship, events, clubs, rehearsal etc. Both active and passive version deliver extraordinary performance at unmatched value.

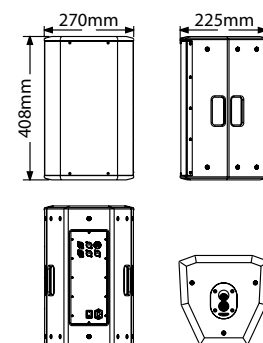
Key Features and Benefits:

- High output SPL and sensitivity
- Built-in high power amplifier module with DSP
- Master volume control
- XLR input and output connectors
- Smart sound quality adjustment
- Integrated pole mount adaptor at bottom
- Portable system (stand), or permanent installation (wall, ceiling, under balcony)
- Suitable for use as a main system with or without sub speaker augmentation
- Powder coated protective grill
- Durable Polyurethane textured base paint



System Specifications:

| | |
|-------------------------------------|--------------------------------|
| Construction | 15mm Birch Plywood |
| Transducers | 1x1.4" HF + 1x8" LF |
| Frequency Response (-3dB) | 70Hz-18kHz |
| Rated Power | 250W (RMS) |
| Amplifier Type | Class D |
| Input Sensitivity | 1V±10%(200Hz) |
| Maximum SPL (1W @ 1m) | 116dB |
| Input Impedance | Balanced 20kΩ, Unbalanced 10kΩ |
| Rated Impedance | 8Ω |
| Dispersion (H x V) | 90° x 80° |
| Connector | XLR/TRS |
| Power Supply | 110V/220V |
| Dimensions (W x D x H) | 270x225x408mm |
| Packaging Dimensions (2 piece/pack) | 530x340x490mm |
| Net Weight (1 piece/pack) | 9.0kg |
| Gross Weight (1 piece/pack) | 10.5kg |



Product Description:

Portable and installed active loudspeakers used in applications including sound reinforcement in Front of House and Foldback applications in house of worship, events, clubs, rehearsal etc. Both active and passive version deliver extraordinary performance at unmatched value.

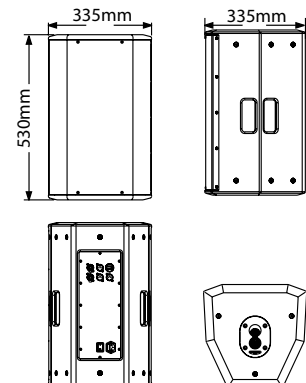
Key Features and Benefits:

- High output SPL and sensitivity
- Built-in high power amplifier module with DSP
- Master volume control
- XLR input and output connectors
- Smart sound quality adjustment
- Integrated pole mount adaptor at bottom
- Portable system (stand), or permanent installation (wall, ceiling, under balcony)
- Suitable for use as a main system with or without sub speaker augmentation
- Powder coated protective grill
- Durable Polyurethane textured base paint



System Specifications:

| | |
|-------------------------------------|--------------------------------|
| Construction | 15mm Birch Plywood |
| Transducers | 1x1.3"HF + 1x10"LF |
| Frequency Response (-3dB) | 65Hz-19kHz |
| Rated Power | 550W (RMS) |
| Amplifier Type | Class D |
| Input Sensitivity | 1V±10%(200Hz) |
| Maximum SPL (1W @ 1m) | 118dB |
| Input Impedance | Balanced 20kΩ, Unbalanced 10kΩ |
| Rated Impedance | 8Ω |
| Dispersion (H x V) | 80° x 70° |
| Connector | XLR/TRS |
| Power Supply | 110V/220V |
| Dimensions (W x D x H) | 335x335x530mm |
| Packaging Dimensions (1 piece/pack) | 425x425x630mm |
| Net Weight (1 piece/pack) | 16.4kg |
| Gross Weight (1 piece/pack) | 18.5kg |



Product Description:

Portable and installed active loudspeakers used in applications including sound reinforcement in Front of House and Foldback applications in house of worship, events, clubs, rehearsal etc. Both active and passive version deliver extraordinary performance at unmatched value.

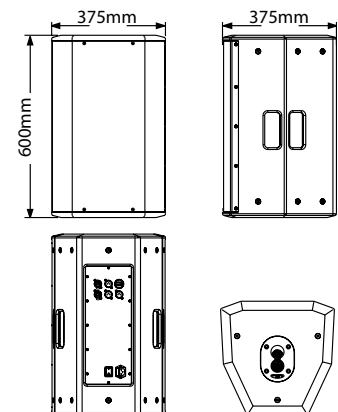
Key Features and Benefits:

- High output SPL and sensitivity
- Built-in high power amplifier module with DSP
- Master volume control
- XLR input and output connectors
- Smart sound quality adjustment
- Integrated pole mount adaptor at bottom
- Portable system (stand), or permanent installation (wall, ceiling, under balcony)
- Suitable for use as a main system with or without sub speaker augmentation
- Powder coated protective grill
- Durable Polyurethane textured base paint



System Specifications:

| | |
|-------------------------------------|--------------------|
| Construction | 15mm Birch Plywood |
| Transducers | 1x1.7"HF+ 1X12"LF |
| Frequency Response (-3dB) | 50Hz-20kHz |
| Rated Power | 1100W (RMS) |
| Amplifier Type | Class D |
| Input Sensitivity | 1V±10%(200Hz) |
| Maximum SPL (1W @ 1m) | 121dB |
| Input Impedance | 95KΩ/LINE, 2KΩ/MIC |
| Rated Impedance | 8Ω |
| Dispersion (H x V) | 110° x 90° |
| Connector | 2 XLR/TRS |
| Power Supply | 110V/220V |
| Dimensions (W x D x H) | 375x375x600mm |
| Packaging Dimensions (1 piece/pack) | 455x455x720mm |
| Net Weight (1 piece/pack) | 21.1kg |
| Gross Weight (1 piece/pack) | 23.7kg |



Product Description:

Portable and installed active loudspeakers used in applications including sound reinforcement in Front of House and Foldback applications in house of worship, events, clubs, rehearsal etc. Both active and passive version deliver extraordinary performance at unmatched value.

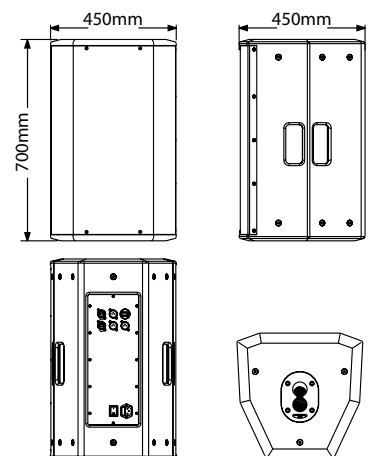
Key Features and Benefits:

- High output SPL and sensitivity
- Built-in high power amplifier module with DSP
- Master volume control
- XLR input and output connectors
- Smart sound quality adjustment
- Integrated pole mount adaptor at bottom
- Portable system (stand), or permanent installation (wall, ceiling, under balcony)
- Suitable for use as a main system with or without sub speaker augmentation
- Powder coated protective grill
- Durable Polyurethane textured base paint



System Specifications:

| | |
|-------------------------------------|--------------------|
| Construction | 15mm Birch Plywood |
| Transducers | 1x1.7"HF+ 1X15"LF |
| Frequency Response (-3dB) | 45Hz-17kHz |
| Rated Power | 1100W (RMS) |
| Amplifier Type | Class D |
| Input Sensitivity | 1V±10%(200Hz) |
| Maximum SPL (1W @ 1m) | 124dB |
| Input Impedance | 95KΩ/LINE, 2KΩ/MIC |
| Rated Impedance | 8Ω |
| Dispersion (H x V) | 50° x55° |
| Connector | 2 XLR/TRS |
| Power Supply | 110V/220V |
| Dimensions (W x D x H) | 450x450x700mm |
| Packaging Dimensions (1 piece/pack) | 560x560x820mm |
| Net Weight (1 piece/pack) | 28.7kg |
| Gross Weight (1 piece/pack) | 32.3kg |



Product Description:

Portable and installed active loudspeakers used in applications including sound reinforcement in Front of House and Foldback applications in house of worship, events, clubs, rehearsal etc. Both active and passive version deliver extraordinary performance at unmatched value.

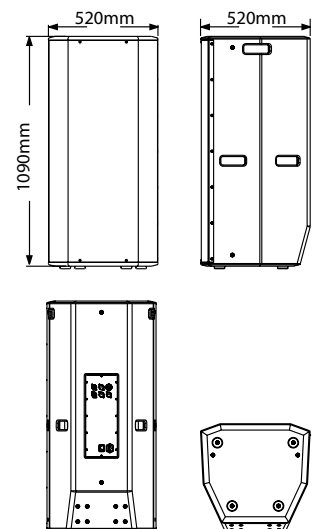
Key Features and Benefits:

- High output SPL and sensitivity
- Built-in high power amplifier module with DSP
- Master volume control
- XLR input and output connectors
- Smart sound quality adjustment
- Integrated pole mount adaptor at bottom
- Portable system (stand), or permanent installation (wall, ceiling, under balcony)
- Suitable for use as a main system with or without sub speaker augmentation
- Powder coated protective grill
- Durable Polyurethane textured base paint



System Specifications:

| | |
|-------------------------------------|--------------------|
| Construction | 15mm Birch Plywood |
| Transducers | 1x1.7"HF+ 2X15"LF |
| Frequency Response (-3dB) | 45Hz-17kHz |
| Rated Power | 1300W (RMS) |
| Amplifier Type | Class D |
| Input Sensitivity | 1V±10%(200Hz) |
| Maximum SPL (1W @ 1m) | 124dB |
| Input Impedance | 95KΩ/LINE, 2KΩ/MIC |
| Rated Impedance | 8Ω |
| Dispersion (H x V) | 50° x55° |
| Connector | 2 XLR/TRS |
| Power Supply | 110V/220V |
| Dimensions (W x D x H) | 520x520x1090mm |
| Packaging Dimensions (1 piece/pack) | 650x650x1240mm |
| Net Weight (1 piece/pack) | 50.0kg |
| Gross Weight (1 piece/pack) | 58.0kg |



Product Description:

Portable and installed wooden loudspeaker used in applications including sound reinforcement in Front of House and Foldback applications in house of worship, events, clubs, rehearsal etc. Both active and passive version deliver extraordinary performance at unmatched value.

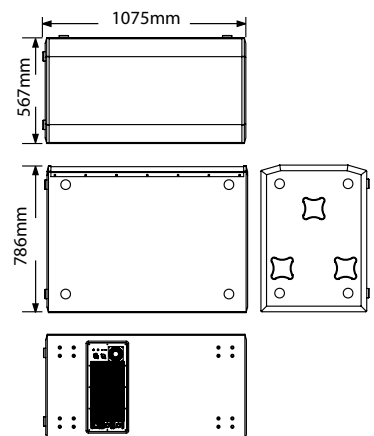
Key Features and Benefits:

- Light weight powered 2x18" subwoofer
- 4500W continuous Class D power module
- Strong power penetrating with impact.
- Switching power supply design
- Favorable power module protection system.
- Superior heat dissipation to allow long-time full loaded working.
- Master volume, high cut, phase select, power / peak indication available
- Computer aided design to optimise frequency and phase response
- Combine with any TW or T-series high power speaker for extended full range frequency, high quality music reproduction
- NEUTRIK PowerCON input and output power supply connector
- Power coated protective grill
- Durable Polyurethane textured base paint



System Specifications:

| | |
|-------------------------------------|---------------------|
| Construction | 21mm Birch Plywood |
| Transducers | 2x18" LF |
| Frequency Response (-3dB) | 35Hz-200Hz |
| Rated Power | 4500W (RMS) |
| Amplifier Type | Class D |
| Maximum SPL | 136dB / 142dB(peak) |
| Input Impedance | 95KΩ/LINE, 2KΩ/MIC |
| Rated Impedance | 4Ω |
| Connector | 2 XLR/TRS |
| Dimensions (W x D x H) | 567x786x1075mm |
| Packaging Dimensions (1 piece/pack) | 665x885x1175mm |
| Net Weight (1 piece/pack) | 85.0kg |
| Gross Weight (1 piece/pack) | 90.0kg |



S SERIES

High SPL Plastic Speaker

The Beta Three® S Series coaxial speakers have been designed and engineered to be used in demanding professional sound reinforcement applications and offer high output with a smooth frequency response.

S400

S400a

S800N

S800Na

S1200N

S1200Na

S1200H

S1200B

Product Description:

Professional portable and installed plastic loudspeakers where high sound quality is required. Can be used in applications including sound reinforcement in Front of House and Foldback applications in Houses of Worship, Events, Clubs, Rehearsal Halls etc. The S Series is suitable for music and vocal reproduction in demanding applications.

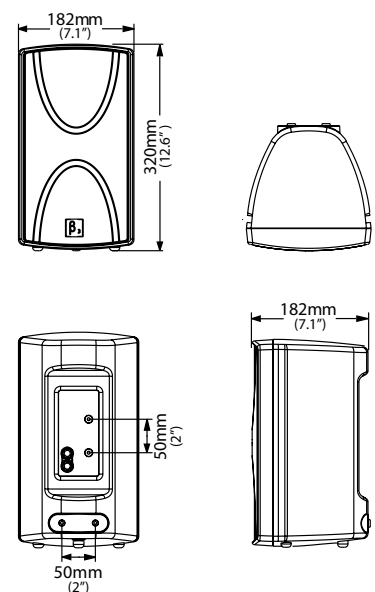
Key Features and Benefits:

- High output SPL and sensitivity
- 2 x 4" high power transducers
- 1 x 1" diaphragm compression driver
- 120° x 120° controlled coverage pattern
- Injection molded
- 1 x NL4 connector
- Cabinet design for FOH use
- Suitable for use as a main system with or without sub speaker augmentation
- Portable system (stand), or permanent installation (wall, ceiling, under balcony)
- Powder coated grill with foam backing
- Comes with convenient mounting bracket
- Available with 70V/100V line transformer
- Available in black or white



System Specifications:

| | |
|-------------------------------------|---|
| Construction | Plastic |
| Transducers | 1 x 1" HF + 2 x 4" LF |
| Crossover | 3kHz |
| Frequency Response (-3dB) | 80Hz-20kHz |
| Rated Power | 80W (RMS), 160W (Program), 320W (Peak) |
| Sensitivity (1W @ 1m) | 92dB |
| Maximum SPL (1W @ 1m) | 111dB/117dB (Peak) |
| Rated Impedance | 4Ω |
| Dispersion (H x V) | 120° x 120° |
| Connector | 1 x NL4 |
| Dimensions (W x D x H) | 182mm (7.5") x 182mm (7.5") x 320mm (12.6") |
| Packaging Dimensions (1 piece/pack) | 230mm (9.1") x 230mm (9.1") x 375mm (14.8") |
| Net Weight (1 piece/pack) | 4.5kg (9.9lb) |
| Gross Weight (1 piece/pack) | 5.5kg (12.1lb) |



Product Description:

Professional portable and installed plastic loudspeakers where high sound quality is required. Can be used in applications including sound reinforcement in Front of House and Foldback applications in Houses of Worship, Events, Clubs, Rehearsal Halls etc. The S Active Series is suitable for music and vocal reproduction in demanding applications.

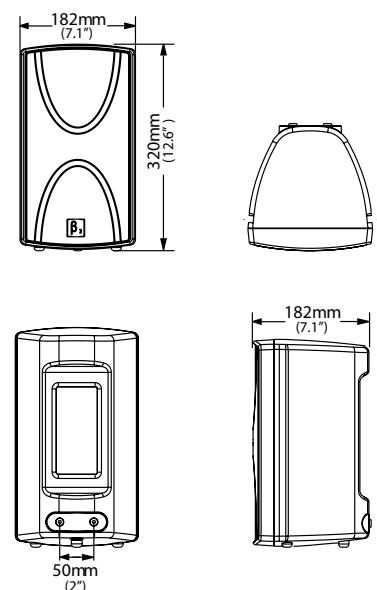
Key Features and Benefits:

- High output SPL and sensitivity
- 2 x 4" high power transducers
- 1 x 1" diaphragm compression driver
- 120° x 120° controlled coverage pattern
- Built-in power amplifier module
- Master volume control
- 2 x XLR connectors
- Injection molded
- Cabinet design for FOH use
- Suitable for use as a main system with or without sub speaker augmentation
- Portable system (stand), or permanent installation (wall, ceiling, under balcony)
- Powder coated grill with foam backing
- Comes with convenient mounting bracket
- Available in black or white



System Specifications:

| | |
|-------------------------------------|---|
| Construction | Plastic |
| Transducers | 1 x 1" HF + 2 x 4" LF |
| Frequency Response (-3dB) | 100Hz-20kHz |
| Rated Power | 100W (RMS) |
| Amplifier Type | Class H |
| Maximum SPL (1W @ 1m) | 118dB (Peak) |
| Input Impedance | Balanced 20kΩ, Unbalanced 10kΩ |
| Rated Impedance | 4Ω |
| Dispersion (H x V) | 120° x 120° |
| Connector | 2 x XLR |
| Power Supply | 110V/220V |
| Dimensions (W x D x H) | 182mm (7.5") x 182mm (7.5") x 320mm (12.6") |
| Packaging Dimensions (1 piece/pack) | 230mm (9.1") x 230mm (9.1") x 375mm (14.8") |
| Net Weight (1 piece/pack) | 6kg (13.2lb) |
| Gross Weight (1 piece/pack) | 7kg (15.4lb) |



Product Description:

Professional portable and installed plastic loudspeakers where high sound quality is required. Can be used in applications including sound reinforcement in Front of House and Foldback applications in Houses of Worship, Events, Clubs, Rehearsal Halls etc. The S Series is suitable for music and vocal reproduction in demanding applications.

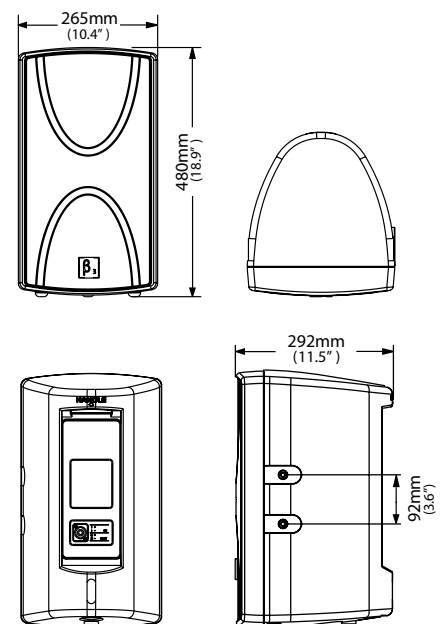
Key Features and Benefits:

- High output SPL and sensitivity
- 2 x 8" high power transducers
- 1 x 1.3" diaphragm compression coaxial driver
- 90° x 90° controlled coverage pattern
- Injection molded
- 1 x NL4 connector
- Cabinet design for FOH use
- Suitable for use as a main system with or without sub speaker augmentation
- Portable system (stand), or permanent installation (wall, ceiling, under balcony)
- Powder coated grill with foam backing
- Available with 70V/100V line transformer
- Available in black or white



System Specifications:

| | |
|-------------------------------------|---|
| Construction | Plastic |
| Transducers | 1 x 1.3" HF + 1 x 8" MF + 1 x 8" LF |
| Crossover | 1.9kHz |
| Frequency Response (-3dB) | 80Hz-20kHz |
| Rated Power | 300W (RMS), 600W (Program), 1200W (Peak) |
| Sensitivity (1W @ 1m) | 95dB |
| Maximum SPL (1W @ 1m) | 118dB/124dB (Peak) |
| Rated Impedance | 4Ω |
| Dispersion (H x V) | 90° x 90° |
| Connector | 1 x NL4 |
| Dimensions (W x D x H) | 265mm (10.4") x 292mm (11.5") x 480mm (18.9") |
| Packaging Dimensions (1 piece/pack) | 325mm (12.8") x 353mm (13.9") x 550mm (21.6") |
| Net Weight (1 piece/pack) | 10kg (22lb) |
| Gross Weight (1 piece/pack) | 13kg (28.6lb) |

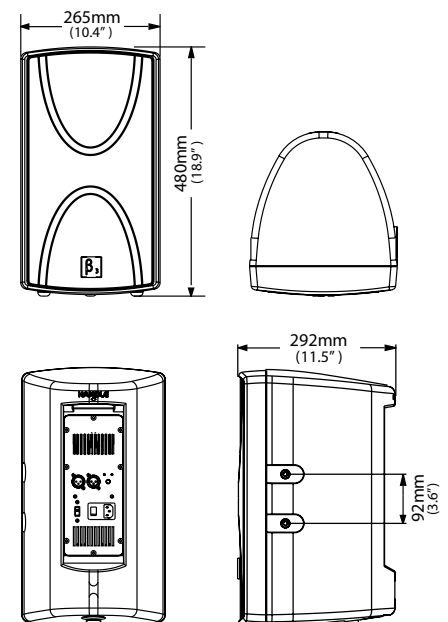


Product Description:

Professional portable and installed plastic loudspeakers where high sound quality is required. Can be used in applications including sound reinforcement in Front of House and Foldback applications in Houses of Worship, Events, Clubs, Rehearsal Halls etc. The S Active Series is suitable for music and vocal reproduction in demanding applications.

Key Features and Benefits:

- High output SPL and sensitivity
- 2 x 8" high power transducers
- 1 x 1.3" diaphragm compression coaxial driver
- 90° x 90° controlled coverage pattern
- Built-in power amplifier module
- Master volume control
- 2 x XLR connectors
- Injection molded
- Cabinet design for FOH use
- Suitable for use as a main system with or without sub speaker augmentation
- Portable system (stand), or permanent installation (wall, ceiling, under balcony)
- Powder coated grill with foam backing
- Available in black or white



System Specifications:

| | |
|-------------------------------------|---|
| Construction | Plastic |
| Transducers | 1 x 1.3" HF + 1 x 8" MF + 1 x 8" LF |
| Frequency Response (-3dB) | 80Hz-20kHz |
| Rated Power | 50W HF + 200W LF |
| Amplifier Type | Class H |
| Maximum SPL (1W @ 1m) | 120dB/126dB (Peak) |
| Input Impedance | Balanced 20k Ω , Unbalanced 10k Ω |
| Rated Impedance | 4 Ω |
| Dispersion (H x V) | 90° x 90° |
| Connector | 2 x XLR |
| Power Supply | 110V/220V |
| Dimensions (W x D x H) | 265mm (10.4") x 292mm (11.5") x 480mm (18.9") |
| Packaging Dimensions (1 piece/pack) | 325mm (12.8") x 353mm (13.9") x 550mm (21.6") |
| Net Weight (1 piece/pack) | 15kg (33lb) |
| Gross Weight (1 piece/pack) | 18kg (39.6lb) |

Product Description:

Professional portable and installed plastic loudspeakers where high sound quality is required. Can be used in applications including sound reinforcement in Front of House and Foldback applications in Houses of Worship, Events, Clubs, Rehearsal Halls etc. The S Series is suitable for music and vocal reproduction in demanding applications.

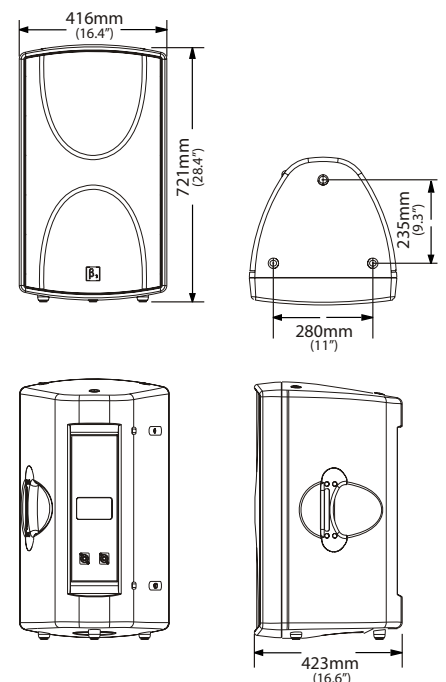
Key Features and Benefits:

- High output SPL and sensitivity
- 2 x 12" high power transducers
- 1 x 1.7" diaphragm compression coaxial driver
- 60° x 60° controlled coverage pattern
- Injection molded
- 2 x NL4 connector
- Cabinet design for FOH and Monitor use
- Suitable for use as a main system with or without sub speaker augmentation
- Portable system (stand), or permanent installation (wall, ceiling, under balcony)
- Powder coated grill with foam backing
- Available with 70V/100V line transformer
- Available in black or white



System Specifications:

| | |
|-------------------------------------|---|
| Construction | Plastic |
| Transducers | 1 x 1.7" HF + 1 x 12" MF + 1 x 12" LF |
| Crossover | 2.2kHz |
| Frequency Response (-3dB) | 45Hz-20kHz |
| Rated Power | 800W (RMS), 1600W (Program), 3200W (Peak) |
| Sensitivity (1W @ 1m) | 99dB |
| Maximum SPL (1W @ 1m) | 128dB/134dB (Peak) |
| Rated Impedance | 4Ω |
| Dispersion (H x V) | 60° x 60° |
| Connector | 2 x NL4 |
| Dimensions (W x D x H) | 416mm (16.4") x 423mm (16.6") x 721mm (28.4") |
| Packaging Dimensions (1 piece/pack) | 485mm (19.1") x 485mm (19.1") x 792mm (31.2") |
| Net Weight (1 piece/pack) | 23kg (50.6lb) |
| Gross Weight (1 piece/pack) | 27kg (59.4lb) |

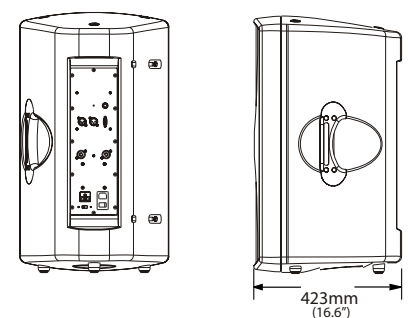
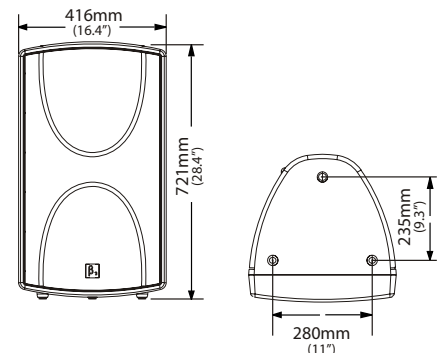


Product Description:

Professional portable and installed plastic loudspeakers where high sound quality is required. Can be used in applications including sound reinforcement in Front of House and Foldback applications in Houses of Worship, Events, Clubs, Rehearsal Halls etc. The S Active Series is suitable for music and vocal reproduction in demanding applications.

Key Features and Benefits:

- High output SPL and sensitivity
- 2 x 12" high power transducers
- 1 x 1.7" diaphragm compression coaxial driver
- 60° x 60° controlled coverage pattern
- Built-in power amplifier module
- Master volume control
- 2 x XLR connectors
- 1 x DB9 connector for accessing internal DSP processor
- Injection molded
- Cabinet design for FOH and Monitor use
- Suitable for use as a main system with or without sub speaker augmentation
- Portable system (stand), or permanent installation (wall, ceiling, under balcony)
- Powder coated grill with foam backing
- Available in black or white



System Specifications:

| | |
|-------------------------------------|---|
| Construction | Plastic |
| Transducers | 1 x 1.7" HF + 1 x 12" MF + 1 x 12" LF |
| Frequency Response (-3dB) | 45Hz-20kHz |
| Rated Power | 300W HF/MF, 350W LF |
| Amplifier Type | Class H |
| Maximum SPL (1W @ 1m) | 126dB (Peak) |
| Input Impedance | Balanced 20kΩ, Unbalanced 10kΩ |
| Rated Impedance | 8Ω |
| Dispersion (H x V) | 60° x 60° |
| Connector | 2 x XLR |
| Power Supply | 110V/220V |
| Dimensions (W x D x H) | 416mm (16.4") x 423mm (16.6") x 721mm (28.4") |
| Packaging Dimensions (1 piece/pack) | 485mm (19.1") x 485mm (19.1") x 792mm (31.2") |
| Net Weight (1 piece/pack) | 28kg (61.6lb) |
| Gross Weight (1 piece/pack) | 32kg (70.4lb) |

Product Description:

Professional portable and installed plastic loudspeakers where high sound quality is required. Can be used in applications including sound reinforcement in Front of House and Foldback applications in Houses of Worship, Events, Clubs, Rehearsal Halls etc. The S Active Series is suitable for music and vocal reproduction in demanding applications.

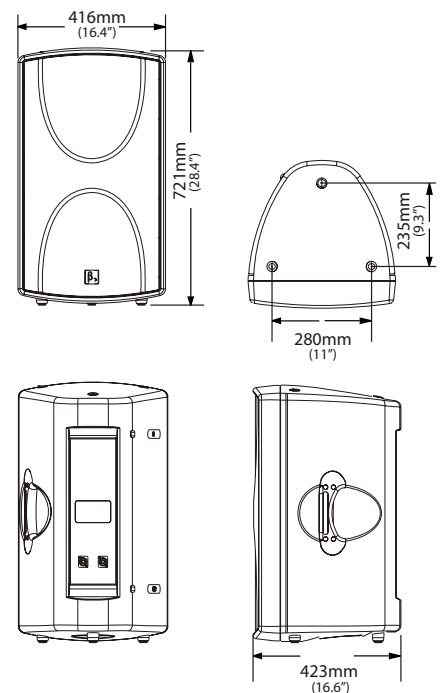
Key Features and Benefits:

- High output SPL and sensitivity
- 1 x 10" high power transducers
- 1 x 3" diaphragm compression driver
- 60° x 40° controlled coverage pattern
- 2 x NL4 connectors
- Injection molded
- Cabinet design for FOH use
- Suitable for use as a main system where a long throw is required
- Can augmented with sub speaker
- Portable system (stand), or permanent installation (wall, ceiling)
- Powder coated grill with foam backing
- Available in black or white



System Specifications:

| | |
|-------------------------------------|---|
| Construction | Plastic |
| Transducers | 1 x 3" HF + 1 x 12" MF |
| Crossover | 1.8kHz |
| Frequency Response (-3dB) | 400Hz-17kHz |
| Rated Power | 300W (RMS), 600W (Program), 1200W (Peak) |
| Sensitivity (1W @ 1m) | 105dB |
| Maximum SPL (1W @ 1m) | 129dB/136dB (Peak) |
| Rated Impedance | 8Ω |
| Dispersion (H x V) | 60° x 40° |
| Connector | 2 x NL4 |
| Dimensions (W x D x H) | 416mm (16.4") x 423mm (16.6") x 721mm (28.4") |
| Packaging Dimensions (1 piece/pack) | 485mm (19.1") x 485mm (19.1") x 792mm (31.2") |
| Net Weight (1 piece/pack) | 26.5kg (58.3lb) |
| Gross Weight (1 piece/pack) | 30.5kg (67.1lb) |



Product Description:

Professional portable and installed plastic loudspeakers where high sound quality is required. Can be used in applications including sound reinforcement in Front of House and Foldback applications in Houses of Worship, Events, Clubs, Rehearsal Halls etc. The S Series is suitable for music and vocal reproduction in demanding applications.

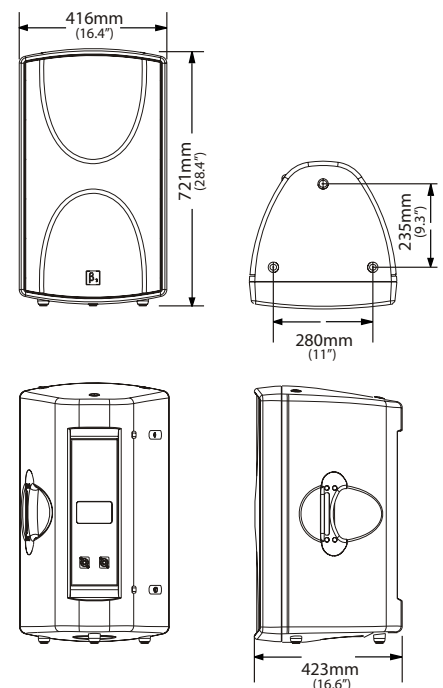
Key Features and Benefits:

- High output SPL and sensitivity
- 2 x 12" high power transducers
- Injection molded
- 2 x NL4 connector
- Cabinet design for FOH use
- Suitable for use to augment the main system
- Portable system (stand), or permanent installation (wall, ceiling)
- Powder coated grill with foam backing
- Available in black or white



System Specifications:

| | |
|-------------------------------------|---|
| Construction | Plastic |
| Transducers | 2 x 12" LF |
| Frequency Response (-3dB) | 50Hz-1.8kHz |
| Rated Power | 800W (RMS), 1600W (Program), 3200W (Peak) |
| Sensitivity (1W @ 1m) | 99dB |
| Maximum SPL (1W @ 1m) | 128dB/134dB (Peak) |
| Rated Impedance | 4Ω |
| Connector | 2 x NL4 |
| Dimensions (W x D x H) | 416mm (16.4") x 423mm (16.6") x 721mm (28.4") |
| Packaging Dimensions (1 piece/pack) | 485mm (19.1") x 485mm (19.1") x 792mm (31.2") |
| Net Weight (1 piece/pack) | 24.5kg (53.9lb) |
| Gross Weight (1 piece/pack) | 28kg (61.6lb) |



SMALL PA SYSTEM

Portable Pro Speaker System

The Beta Three® small PA systems have been designed and engineered to be used in portable sound reinforcement applications and offer easy installation with high output and a smooth frequency response.

Meline S1

Meline S2

Meline S3

MAX10.06

MAX15.10

Product Description:

Meline S1 is a compact portable sound system with integrated solo, monitor, small performances, meeting presentations and other functions all in one. Lightweight, impact resist structure, high power output, stable balanced audio output. Meline S1 is specially designed for anytime, anywhere by anyone stage performances with unmatched value.

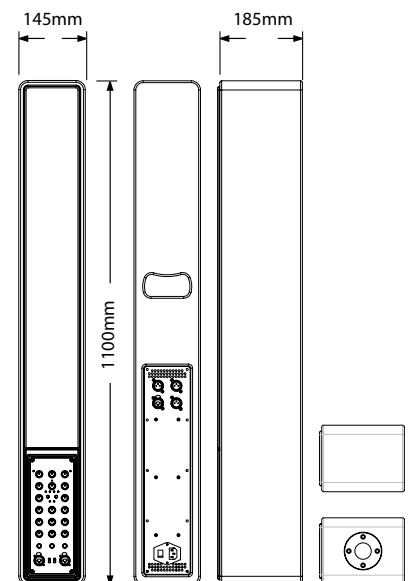
Key Features and Benefits:

- Compact portable and eye catching design
- Slim column system with floor stand, high power output and natural sound
- 6x4" neodymium mid-woofer dive lower bass and 1" neodymium soft fabric dome tweeter delivers extended clarity for high end field
- Class D module for LF and CLASS AB module for HF, including multiple DSP preset for sound adjustment
- Specialized carry bag for ease of transportation



System Specifications:

| | |
|-------------------------------------|--|
| Construction | 12mm birch plywood |
| Transducers | 6x4" Neo mid-woofer, 1x1" Neo dome tweeter |
| Frequency Response (-3dB) | 80Hz-20KHz |
| Rated Power | LF 300W, HF 50W |
| Amplifier type | LF CLASS D, HF CLASS AB |
| Maximum SPL | 116dB |
| Input Impedance | balanced 20KΩ, unbalance 10KΩ |
| Rated Impedance | 8Ω |
| Dispersion (H x V) | 180° x 30° |
| Input Connector | XLR/TRS COMBO, RCA, 3.5mm JACK |
| Output Connector | XLR, RCA |
| Power Supply | 230V |
| Dimensions (W x D x H) | 145mm x 185mm x 1100mm |
| Packaging Dimensions (1 piece/pack) | 225mm x 265mm x 1200mm |
| Net Weight (1 piece/pack) | 9.0kg |
| Gross Weight (1 piece/pack) | 10.5kg |

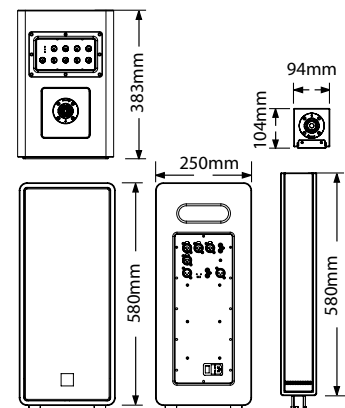


Product Description:

Meline S2 is a compact portable sound reinforcement system designed for musicians, meeting room presentation, DJ's etc for an audience up to 300. Total three pieces system allows quick and easy setup with patent pending "CLOCK" together interconnecting speakers. The amplifier module is housed within the subwoofer and this bi-amp module includes DSP to enable superior performance.

Key Features and Benefits:

- Compact portable and eye catching design
- 1.8 meter tower sound system, high power output and natural sound
- Vented dual 6.5" subwoofer dive deep bass and 12x2.75" full-range units deliver smooth sound at wide coverage
- Separated Class D module for subwoofer and CLASS AB module for full-range, including multiple DSP preset
- Specialized carry bag for ease of transportation



System Specifications:

| | Subwoofer | Vertical array system |
|--------------------------------------|--|-----------------------|
| Construction | 15mm birch plywood | 12mm birch plywood |
| Transducers | 2x6.5" subwoofer | 12x2.75" full-range |
| Frequency Response (-3dB) | 45Hz-250Hz | 200Hz-20KHz |
| Rated Power | 400W | 250W |
| Amplifier type | CLASS D | CLASS AB |
| Maximum SPL | 116dB | 119dB |
| Input Impedance | balanced 20K Ω , unbalance 10K Ω | N/A |
| Rated Impedance | 4 Ω | 8 Ω |
| Dispersion (H x V) | not available | 130° x 60° |
| Input Connector | XLR/TRS COMBO, RCA, 3.5mm JACK | not available |
| Output Connector | XLR, RCA | not available |
| Power Supply | 220V | not available |
| Dimensions (W x D x H) | 250mm x 383mm x 580mm | 94mm x 104mm x 1148mm |
| Packaging Dimensions (1 system/pack) | 660mm x 540mm x 650mm | |
| Net Weight (1 system) | 19kg | |
| Gross Weight (1 system) | 22kg | |

Product Description:

Meline S2 is a compact portable sound reinforcement system designed for musicians, meeting room presentation, DJ's etc for an audience up to 300. Total three pieces system allows quick and easy setup with patent pending "CLOCK" together interconnecting speakers. The amplifier module is housed within the subwoofer and this bi-amp module includes DSP to enable superior performance.

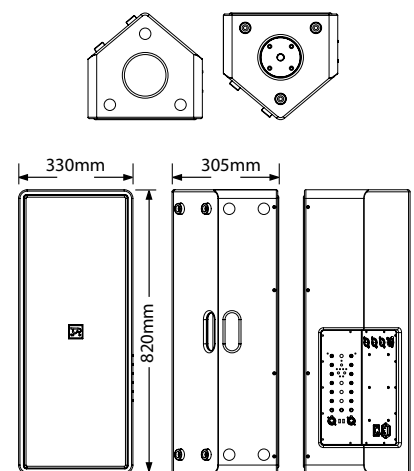
Key Features and Benefits:

- Compact portable and eye catching design
- 1.8 meter tower sound system, high power output and natural sound
- Vented dual 6.5" subwoofer dive deep bass and 12x2.75" full-range units deliver smooth sound at wide coverage
- Separated Class D module for subwoofer and CLASS AB module for full-range, including multiple DSP preset
- Specialized carry bag for ease of transportation



System Specifications:

| | Subwoofer |
|--------------------------------------|--|
| Construction | 15mm birch plywood |
| Transducers | 2x6.5" subwoofer |
| Frequency Response (-3dB) | 45Hz-250Hz |
| Rated Power | 400W |
| Amplifier type | CLASS D |
| Maximum SPL | 116dB |
| Input Impedance | balanced 20K Ω , unbalance 10K Ω |
| Rated Impedance | 4 Ω |
| Dispersion (H x V) | not available |
| Input Connector | XLR/TRS COMBO,RCA, 3.5mm JACK |
| Output Connector | XLR,RCA |
| Power Supply | 220V |
| Dimensions (W x D x H) | 330mm x 305mm x 820mm |
| Packaging Dimensions (1 system/pack) | 440mm x 420mm x 940mm |
| Net Weight (1 system) | 9.0kg |
| Gross Weight (1 system) | 10.5kg |

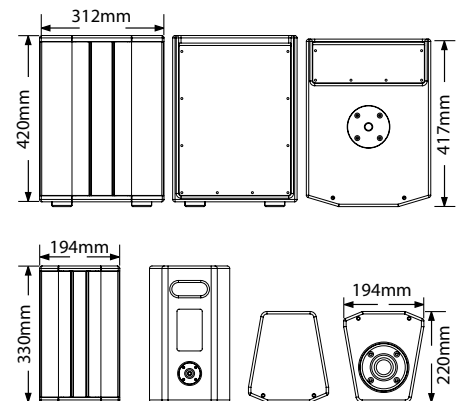
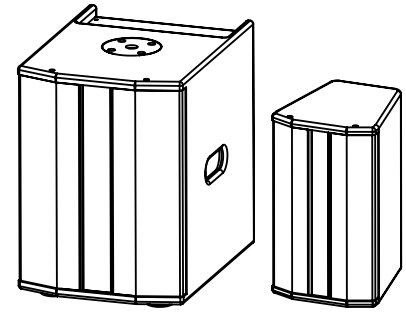


Product Description:

MAX10.06 is a compact 2.1 channel sound reinforcement system consisting of integrated subwoofer and left/right channel satellites. It offers everything that has made the solution of choice for small to medium-sized venues: compact components, fabulous handling ease and big, bold sound at every volume level.

Key Features and Benefits:

- Compact 2.1 channel sound reinforcement system
- Vented 10" subwoofer dive deep bass and left/right channel 6.5"mid-woofer+1.7" compression driver satellite output smooth sound and wide coverage
- Separated Class D module for subwoofer and satellite, including multiple DSP preset
- Specialized carry bag for ease of transportation



System Specifications:

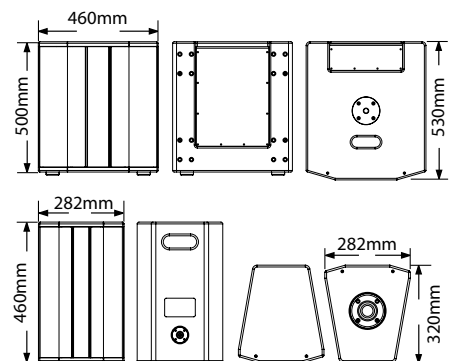
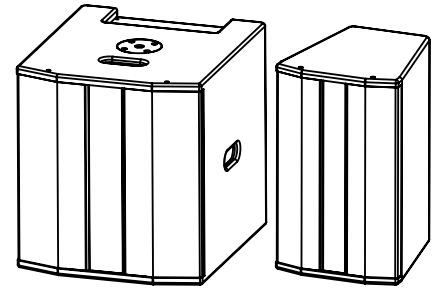
| | Subwoofer | Satellite |
|-------------------------------------|-------------------------------|-----------------------------------|
| Construction | 15mm birch plywood | 15mm birch plywood |
| Transducers | 1x10" subwoofer | 1x6.5" Mid, 1x1.7" compression HF |
| Frequency Response (-3dB) | 42Hz-150Hz | 100Hz-20KHz |
| Rated Power | 500W | 2x200W |
| Amplifier type | CLASS D | CLASS D |
| Maximum SPL | 119dB | 120dB |
| Input Impedance | balanced 20KΩ, unbalance 10KΩ | not available |
| Rated Impedance | 8Ω | 8Ω |
| Dispersion (H x V) | not available | 90° x 90° |
| Input Connector | XLR/TRS COMBO | XLR |
| Output Connector | XLR | XLR |
| Power Supply | 230V | not available |
| Dimensions (W x D x H) | 312mm x 417mm x 420mm | 194mm x 220mm x 330mm |
| Packaging Dimensions (1 piece/pack) | 382mm x 490mm x 500mm | 300mm x 410mm x 490mm |
| Net Weight (1 piece/pack) | 15kg | 6.5kg |
| Gross Weight (1 piece/pack) | 18kg | 8.0kg |

Product Description:

MAX15.10 is a compact 2.1 channel sound reinforcement system consisting of integrated subwoofer and left/right channel satellites. It offers everything that has made the solution of choice for small to medium-sized venues: compact components, fabulous handling ease and big, bold sound at every volume level.

Key Features and Benefits:

- Compact 2.1 channel sound reinforcement system
- Vented 15" subwoofer dive deep bass and left/right channel 10"LF+1.7" compression driver satellite output smooth sound and wide coverage
- Separated Class D module for subwoofer and satellite, including multiple DSP preset
- Specialized carry bag for ease of transportation



System Specifications:

| | Subwoofer | Satellite |
|-------------------------------------|--|---------------------------------|
| Construction | 15mm birch plywood | 15mm birch plywood |
| Transducers | 1x15" subwoofer | 1x10" LF, 1x1.7" compression HF |
| Frequency Response (-3dB) | 38Hz-150Hz | 55Hz-20KHz |
| Rated Power | 900W | 2x400W |
| Amplifier type | CLASS D | CLASS D |
| Maximum SPL | 125dB | 125dB |
| Input Impedance | balanced 20K Ω , unbalance 10K Ω | N/A |
| Rated Impedance | 4 Ω | 8 Ω |
| Dispersion (H x V) | not available | 90° x 90° |
| Input Connector | XLR/TRS COMBO | XLR |
| Output Connector | XLR | XLR |
| Power Supply | 230V | not available |
| Dimensions (W x D x H) | 460mm x 530mm x 500mm | 282mm x 320mm x 460mm |
| Packaging Dimensions (1 piece/pack) | 560mm x 600mm x 630mm | 360mm x 400mm x 540mm |
| Net Weight (1 piece/pack) | 34kg | 16kg |
| Gross Weight (1 piece/pack) | 38kg | 19kg |

QS SERIES

Versatile Plastic Speaker

The Beta Three® QS Series speakers have been designed and engineered to be used in multi-purpose sound reinforcement applications either indoors or outdoors and offer high output with a smooth frequency response.

QS400

QS600/T

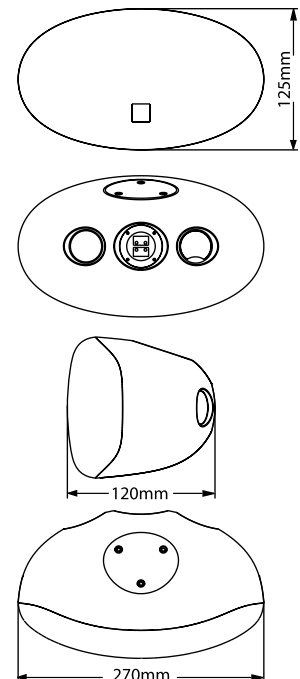
QS1000/T

Product Description:

QS400 is a 4" two way full range speaker system with wide dispersion. Its sound is nature and clear while the cabinet is handy, compact and the appearance is elegant and fashionable. It's applicable in small performing stages, KTV, background music, etc.

Key Features and Benefits:

- Two 1" dome tweeter
- 4" paper cone low frequency driver
- High intensity injection moulded cabinet
- Dispersion 100°x100°
- Frequency response 80Hz-20K Hz(-3dB)
- Sensitivity 87dB, Max SPL 108dB(peak)
- Constant max power 50W
- 2xM5 hanging point
- Customizable grill and cabinet color
- Appearance elegant and fashionable



System Specifications:

| | |
|------------------------------------|-----------------------|
| Transducers | 2 x 1" HF + 1 x 4" LF |
| Frequency Response (-3dB) | 80Hz-20kHz |
| Rated Power | 30W (RMS) |
| Sensitivity (1W @ 1m) | 87dB |
| Crossover Point | 6.5KHz |
| Rated Impedance | 4Ω |
| Dispersion (H x V) | 100° x 100° |
| Connector | box |
| Dimensions (W x H x D) | 270mm x 125mm x 120mm |
| Packaging Dimensions (1 pair/pack) | 372mm x 192mm x 310mm |
| Net Weight (1 pc) | 1.7kg |
| Gross Weight (1 pair) | 4.0kg |

Product Description:

QS600/T is a 6" two way full range speaker system with wide dispersion. Its sound is nature and clear while the cabinet is handy, compact and the appearance elegant and fashionable. It's applicable in small and medium performing stages, KTV, multi-function halls

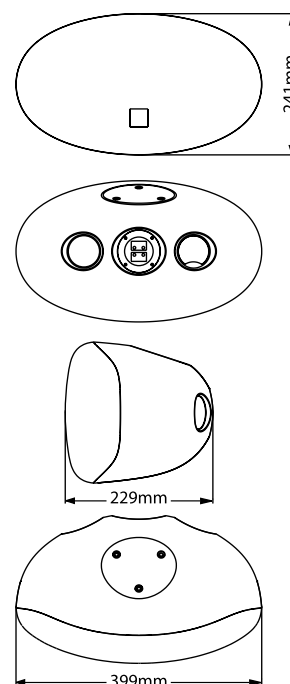
Key Features and Benefits:

- Two 3" paper cone mid-high frequency drivers
- 6" paper cone low frequency driver
- High intensity injection moulded cabinet
- Dispersion 140°x160°
- Frequency response 80Hz-16K Hz(-3dB)
- Sensitivity 88dB,Max SPL120dB(peak)
- 3 x M8 hanging point
- Customizable grill and cabinet color
- Appearance elegant and fashionable
- QS600T with built-in transformer allowing 70V/100V/120V voltage output and direct 8Ω



System Specifications:

| | |
|------------------------------------|---------------------------------|
| Transducers | 2 x 3" HF + 1 x 6" LF |
| Frequency Response (-3dB) | 80Hz-16kHz |
| Rated Power | 80W (RMS) |
| Sensitivity (1W @ 1m) | 88dB |
| Crossover Point | 2.5KHz |
| Rated Impedance | 8Ω |
| Dispersion (H x V) | 140° x 160° |
| Connector | Cable clamp |
| Dimensions (W x H x D) | 399mm x 241mm x 229mm |
| Packaging Dimensions (1 pair/pack) | 452mm x 310mm x 525mm |
| Net Weight | (QS600) 9.0kg, (QS600T) 9.5kg |
| Gross Weight | (QS600) 10.0kg, (QS600T) 10.5kg |

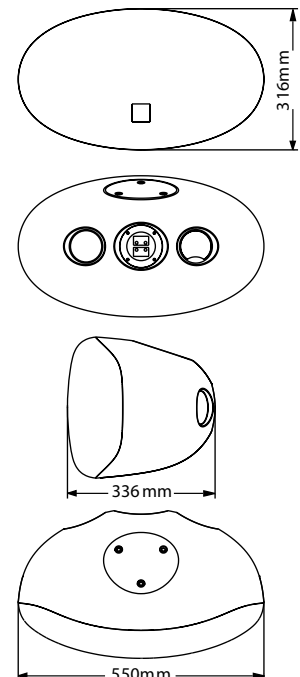


Product Description:

QS1000/T is 2 way full range speaker with a wide dispersion angle, compact cabinet and modern appearance. The sound is very natural and clear; it can be used for small and middle size venues, like KTV, multifunction room, monitor, small performance, public address speaker or as sound reinforcement speaker in some big venues.

Key Features and Benefits:

- Two 4" paper cone mid-high frequency drivers
- 10" paper cone low frequency driver
- High intensity injection moulded cabinet
- Dispersion 120°x120°
- Frequency response 45Hz-20K Hz(-3dB)
- Sensitivity 88dB,Max SPL117dB(peak)
- 3 x M8 hanging point
- Customizable grill and cabinet color
- Appearance elegant and fashionable
- QS1000T with built-in transformer allowing 70V/100V/120V voltage output and direct 8Ω



System Specifications:

| | |
|-------------------------------------|-----------------------------------|
| Transducers | 2 x 4" HF + 1 x 10" LF |
| Frequency Response (-3dB) | 45Hz-22kHz |
| Rated Power | 150W (RMS) |
| Sensitivity (1W @ 1m) | 90dB |
| Crossover Point | 1.2KHz |
| Rated Impedance | 8Ω |
| Dispersion (H x V) | 120° x 120° |
| Connector | Cable clamp |
| Dimensions (W x H x D) | 550mm x 316mm x 336mm |
| Packaging Dimensions (1 piece/pack) | 620mm x 385mm x 425mm |
| Net Weight | (QS1000) 10.0kg, (QS1000T) 10.5kg |
| Gross Weight | (QS1000) 11.0kg, (QS1000T) 11.5kg |



Beta Three

40

FROG SERIES

Professional Speaker

The Beta Three® FROG Series speakers have been designed and engineered to be used in multi-purpose sound reinforcement applications. FROG series delivers high output with abundant dynamics which creates superior sound enjoyment..

FROG 10

FROG 12

FROG 15

Product Description:

Portable and installed PA loudspeakers used in applications including sound reinforcement in Houses of Worship, Events, Clubs, Rehearsal Halls and Ballrooms etc. The FROG Series delivers extraordinary performance at unmatched value.

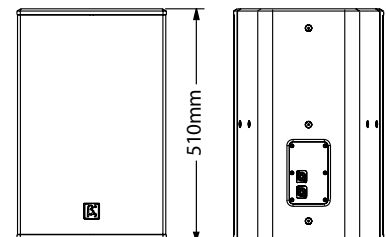
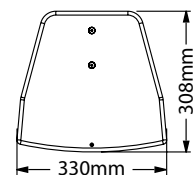
Key Features and Benefits:

- Bass reflex design
- One 10" professional high-efficiency low frequency driver
- One 1.7" compression driver
- 100°x 80°controlled coverage pattern
- High output, decent sound and full dynamic
- Specialized convenient flying frame.
- Suitable for use as a main system with or without sub speaker augmentation



System Specifications:

| | |
|-------------------------------------|---------------------|
| Construction | 15mm Birch Plywood |
| Transducers | 1x10"LF + 1x1.75"HF |
| Frequency Response (-3dB) | 55Hz-20kHz |
| Rated Power | 220W (RMS) |
| Sensitivity (1W @ 1m) | 93dB |
| Maximum SPL | 122dB |
| Crossover Point | 2.1kHz |
| Rated Impedance | 8Ω |
| Dispersion (H x V) | 100° x 80° |
| Connector | 2xNL4 |
| Dimensions (W x H x D) | 330mmx308mmx510mm |
| Packaging Dimensions (1 piece/pack) | 420mmx400mmx610mm |
| Net Weight | 15.7kg |
| Gross Weight | 17.0kg |



Product Description:

Portable and installed PA loudspeakers used in applications including sound reinforcement in Houses of Worship, Events, Clubs, Rehearsal Halls and Ballrooms etc. The FROG Series delivers extraordinary performance at unmatched value.

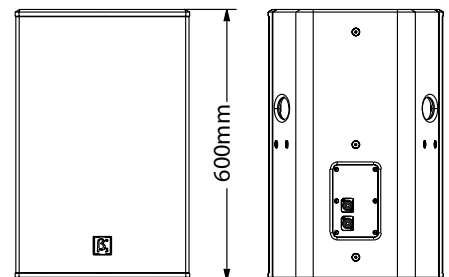
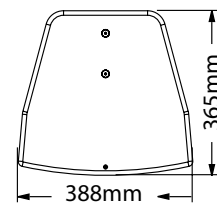
Key Features and Benefits:

- Bass reflex design
- One 12" professional high-efficiency low frequency driver
- One 1.7" compression driver
- 101°x 78°controlled coverage pattern
- High output, decent sound and full dynamic
- Specialized convenient flying frame.
- Suitable for use as a main system with or without sub speaker augmentation



System Specifications:

| | |
|-------------------------------------|---------------------|
| Construction | 15mm Birch Plywood |
| Transducers | 1x12"LF + 1x1.75"HF |
| Frequency Response (-3dB) | 45Hz-20kHz |
| Rated Power | 280W (RMS) |
| Sensitivity (1W @ 1m) | 93dB |
| Maximum SPL | 116dB |
| Crossover Point | 1.6kHz |
| Rated Impedance | 8Ω |
| Dispersion (H x V) | 101° x 78° |
| Connector | 2xNL4 |
| Dimensions (W x H x D) | 388mmx365mmx600mm |
| Packaging Dimensions (1 piece/pack) | 480mmx455mmx700mm |
| Net Weight | 23.5kg |
| Gross Weight | 25.6kg |

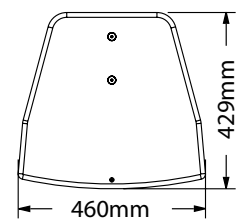


Product Description:

Portable and installed PA loudspeakers used in applications including sound reinforcement in Houses of Worship, Events, Clubs, Rehearsal Halls and Ballrooms etc. The FROG Series delivers extraordinary performance at unmatched value.

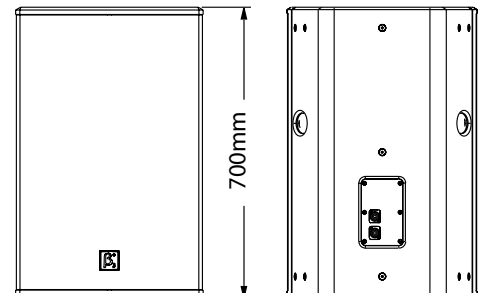
Key Features and Benefits:

- Bass reflex design
- One 15" professional high-efficiency low frequency driver
- One 3" compression driver
- 80°x 90°controlled coverage pattern
- High output, decent sound and full dynamic
- Specialized convenient flying frame.
- Suitable for use as a main system with or without sub speaker augmentation



System Specifications:

| | |
|-------------------------------------|--------------------|
| Construction | 15mm Birch Plywood |
| Transducers | 1x15"LF + 1x3"HF |
| Frequency Response (-3dB) | 40Hz-20kHz |
| Rated Power | 350W (RMS) |
| Sensitivity (1W @ 1m) | 96dB |
| Maximum SPL | 126dB |
| Crossover Point | 1.6kHz |
| Rated Impedance | 8Ω |
| Dispersion (H x V) | 80° x 90° |
| Connector | 2xNL4 |
| Dimensions (W x H x D) | 400mmx429mmx700mm |
| Packaging Dimensions (1 piece/pack) | 570mmx540mmx820mm |
| Net Weight | 30.5kg |
| Gross Weight | 33.7kg |



Xi SERIES

Professional Speaker

The Beta Three® Xi Series speakers have been designed and engineered to European standards, constructed of premium birch plywood and offer high output with a smooth frequency response in professional applications.

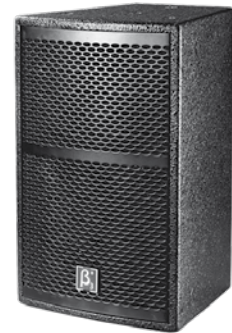
- X8i
- X10i
- X12i
- X15i
- X18Bi

Product Description:

X8i is a compact 2-way full range speaker. It is the main speaker applicable for high reliability, high sound quality required by small venues and assistant speaker for mid to large venues. X8i also can be used with the X18Bi subwoofer to get a high quality full range system.

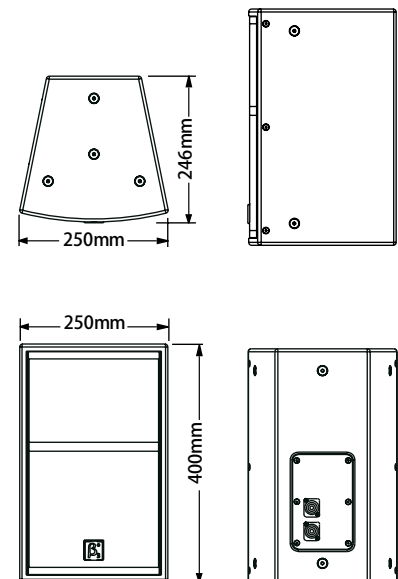
Key Features and Benefits:

- Compact cabinet design
- One 8" High Power LF transducer
- One 4" cone paper FH driver
- 100°x100° coverage pattern
- Cabinet design for FOH
- Can be arrayed with other boxes
- Suitable for use as a main system with or without sub speaker augmentation
- Durable Polyurethane textured base paint
- 2xNL4 connectors
- Computer aided design to optimize frequency and phase response
- Power coated grill
- Arrays with any Beta Three® high powered subwoofer speaker
- For optimum performance use with a Beta Three® a digital speaker management processor



System Specifications:

| | |
|-------------------------------------|--|
| Transducers | 1x8"LF, 1x4"HF |
| Frequency Response (-3dB) | 65Hz-18kHz |
| Rated Power | 80W (RMS), 160W (PROGRAM), 320W (PEAK) |
| Sensitivity (1W @ 1m) | 94dB |
| Max. SPL | 113dB/119dB(PEAK) |
| Rated Impedance | 8Ω |
| Dispersion (H x V) | 100° x 100° |
| Connector | 2 x NL4 |
| Dimensions (W x D x H) | 250mmx248mmx400mm |
| Packaging Dimensions (1 piece/pack) | 310mmx310mmx480mm |
| Net Weight (1 piece/pack) | 7.0kg |
| Gross Weight (1 piece/pack) | 8.4kg |

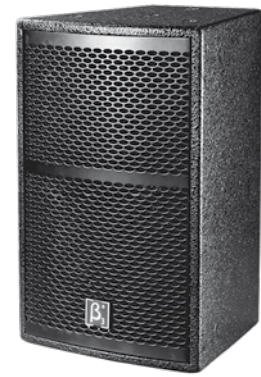


Product Description:

X10i is a compact 2-way full range speaker. It is the main speaker applicable for high reliability, high sound quality required by small venues and assistant speaker for mid to large venues. X10i also can be used with the X18Bi subwoofer to get a high quality full range system.

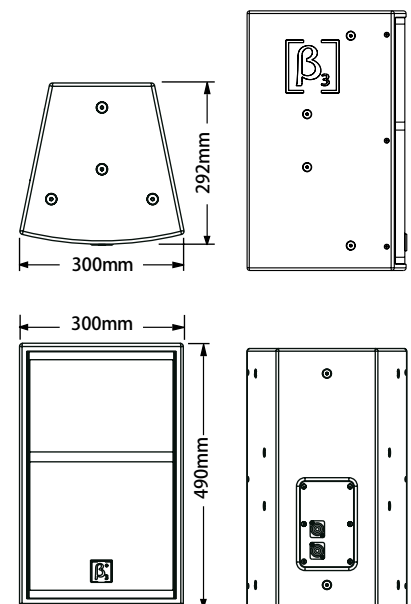
Key Features and Benefits:

- Compact cabinet design
- One 10" High Power LF transducer
- 1x1.7" compression driver
- 50°- 100°x100°coverage pattern
- Cabinet design for FOH
- Can be arrayed with other boxes
- Suitable for use as a main system with or without sub speaker augmentation
- Durable Polyurethane textured base paint
- 2xNL4 connectors
- Computer aided design to optimize frequency and phase response
- Power coated grill
- Arrays with any Beta Three® high powered subwoofer speaker
- For optimum performance use with a Beta Three® a digital speaker management processor



System Specifications:

| | |
|-------------------------------------|---|
| Transducers | 1x10" LF, 1x1.7" compression driver |
| Frequency Response (-3dB) | 60Hz-19kHz |
| Rated Power | 200W (RMS), 400W (PROGRAM), 800W (PEAK) |
| Sensitivity (1W @ 1m) | 95dB |
| Max. SPL | 115dB/123dB(PEAK) |
| Rated Impedance | 8Ω |
| Dispersion (H x V) | 50°-100° x 50° |
| Connector | 2 x NL4 |
| Dimensions (W x D x H) | 300mmx290mmx490mm |
| Packaging Dimensions (1 piece/pack) | 370mmx370mmx590mm |
| Net Weight (1 piece/pack) | 14.0kg |
| Gross Weight (1 piece/pack) | 16.0kg |

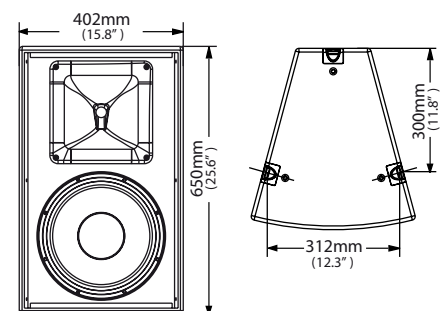


Product Description:

The X12i is a high performance live and portable sound reinforcement speaker for use in Night Clubs, Houses of Worship, Events, Clubs, Rehearsal Halls and Ballrooms etc. The Xi Series delivers extraordinary performance at unmatched value.

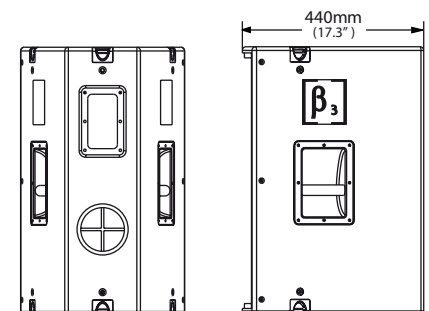
Key Features and Benefits:

- Very high output SPL and sensitivity
- 1 x 12" high power transducer
- 1 x 3" HF magnalium compression driver
- 60° x 60° coverage pattern
- 2 x NL4 connectors
- Computer aided design to optimise frequency and phase response
- Cabinet design for FOH use
- Suitable for use as a main system with or without sub speaker augmentation
- Can be arrayed with other boxes
- Arrays with any high Beta Three® high powered subwoofer speaker
- Powder coated grill
- Durable Polyurethane textured base paint
- For optimum performance use with a Beta Three® a digital speaker management processor
- 2 x NL4 conenctor included in packaging



System Specifications:

| | |
|-------------------------------------|---|
| Construction | 15mm Birch Plywood |
| Transducers | 1 x 3" HF Compression Driver + 1 x 12" LF |
| Crossover | 1.8kHz |
| Frequency Response (-3dB) | 45Hz-18kHz |
| Rated Power | 300W (RMS) |
| Sensitivity (1W @ 1m) | 95dB |
| Rated Impedance | 8Ω |
| Dispersion (H x V) | 60° x 60° |
| Connector | 2 x NL4 |
| Dimensions (W x D x H) | 402mm (15.8") x 440mm (17.3") x 650mm (25.6") |
| Packaging Dimensions (1 piece/pack) | 550mm (21.7") x 510mm (20.1") x 770mm (30.3") |
| Net Weight (1 piece/pack) | 27.5kg (60.5lb) |
| Gross Weight (1 piece/pack) | 30kg (66lb) |

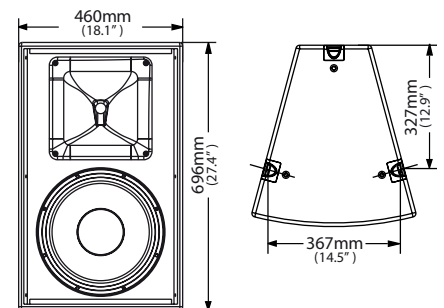


Product Description:

The X15i is a high performance live and portable sound reinforcement speaker for use in Night Clubs, Houses of Worship, Events, Clubs, Rehearsal Halls and Ballrooms etc. The Xi Series delivers extraordinary performance at unmatched value.

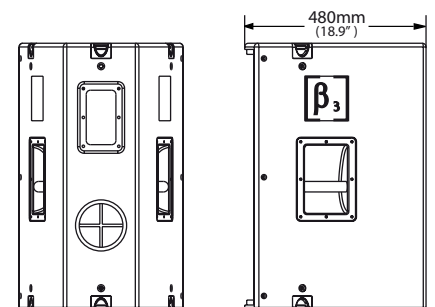
Key Features and Benefits:

- Very high output SPL and sensitivity
- 1 x 15" high power transducer
- 1 x 3" HF magnalium compression driver
- 60° x 60° coverage pattern
- 2 x NL4 connectors
- Computer aided design to optimise frequency and phase response
- Cabinet design for FOH use
- Suitable for use as a main system with or without sub speaker augmentation
- Can be arrayed with other boxes
- Arrays with any high Beta Three® high powered subwoofer speaker
- Powder coated grill
- Durable Polyurethane textured base paint
- For optimum performance use with a Beta Three® a digital speaker management processor
- 2 x NL4 conenctor included in packaging



System Specifications:

| | |
|-------------------------------------|---|
| Construction | 15mm Birch Plywood |
| Transducers | 1 x 3" HF Compression Driver + 1 x 15" LF |
| Crossover | 1.5kHz |
| Frequency Response (-3dB) | 40Hz-16kHz |
| Rated Power | 500W (RMS) |
| Sensitivity (1W @ 1m) | 95dB |
| Rated Impedance | 8Ω |
| Dispersion (H x V) | 60° x 60° |
| Connector | 2 x NL4 |
| Dimensions (W x D x H) | 480mm (18.9") x 460mm (18.1") x 696mm (27.4") |
| Packaging Dimensions (1 piece/pack) | 590mm (23.2") x 570mm (22.5") x 816mm (32.2") |
| Net Weight (1 piece/pack) | 37.5kg (82.5lb) |
| Gross Weight (1 piece/pack) | 40kg (88lb) |



Product Description:

X18Bi is a compact low frequency speaker designed for small and medium venues where high sound quality and reliability are required. It can be also used with the X18Bi subwoofer to get a high quality full range system.

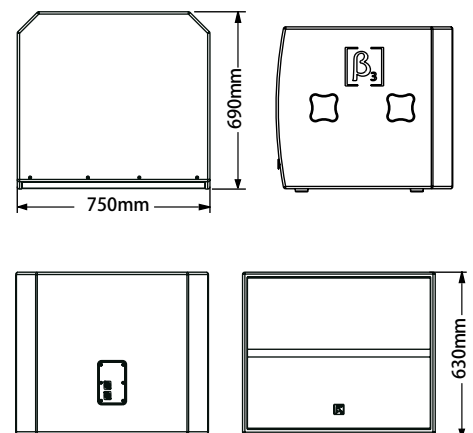
Key Features and Benefits:

- Compact cabinet design
- 1x18" high power low frequency transducer with 100mm voice coil.
- Frequency response extended to 36Hz (-3dB)
- Sensitivity 97dB, Max SPL 127dB (Peak)
- Rated Power 500W, Peak power 2000W



System Specifications:

| | |
|-------------------------------------|---|
| Transducers | 1 x 18" LF |
| Frequency Response (-3dB) | 36Hz-2KHz |
| Rated Power | 500W (RMS), 1000W (Program), 2000W (PEAK) |
| Sensitivity (1W @ 1m) | 97dB |
| Maximum SPL | 121dB/127dB (Peak) |
| Rated Impedance | 8Ω |
| Connector | 2 x NL4 |
| Dimensions (W x D x H) | 750mmx690mmx630mm |
| Packaging Dimensions (1 piece/pack) | 880mmx800mmx775mm |
| Net Weight (1 piece/pack) | 50.5kg |
| Gross Weight (1 piece/pack) | 54.5kg |



HF SERIES

Hi-Fi Class Entertainment Speaker

The Beta Three® HF Series speakers have been designed and engineered to European standards, constructed of premium birch plywood and offer high output with a smooth frequency response in professional applications.

- HF101
- HF102
- HF110
- HF121
- HF151
- HF153
- HF181B
- HF182B

Product Description:

HF101 is a three-way entertainment speaker for high-class Night clubs. Specially design for KTV rooms. It delivers extraordinary performance and excellent sound enjoyment.

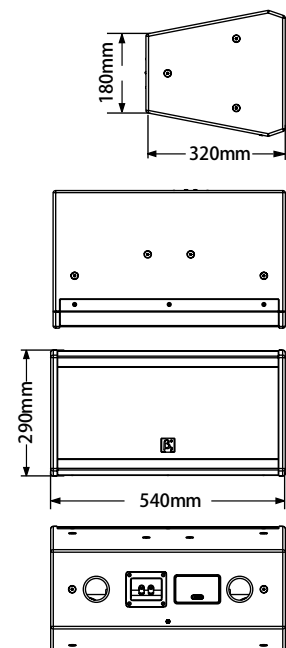


Key Features and Benefits:

- 1x10" high power LF transducer
- 2x4"+2x3" cone paper MF and HF drivers
- Three way Hi-Fi class entertainment speaker
- Adopt high-efficient entertainment specialized units
- Outstanding performance on vocal
- Flexible at low frequency and sweet at high frequency
- Computer aided design to optimize frequency and phase response
- Apply patented PSD (point source design), more accurate for sound Image Localization
- Center audio effect and surround sound effect can be switchable
- Good choice for Luxury night club, KTV, Dancing hall, and Multifunctional hall
- Suitable for use as a main system with or without sub speaker augmentation

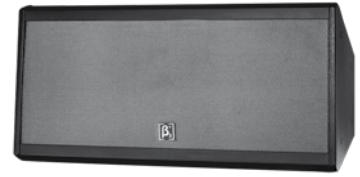
System Specifications:

| | |
|-----------------------------|------------------------------|
| Transducers | 1x10" LF, 2x3" +2x4" HF |
| Frequency Response | 50Hz - 18 KHz |
| Sensitivity (1W@1m) | 92dB |
| Rated Power (RMS) | 150W |
| Average SPL | 114dB |
| Crossover point | MF-LF: 800Hz, MF-HF: 3.5 kHz |
| Rated impedance | 8 Ohms |
| Connector | binding post |
| Product dimension (WxDxH) | 540 x 320 x 290mm |
| Packaging dimension (WxDxH) | 640 x 400 x 400mm |
| Net Weight | 13.2Kg |
| Gross Weight | 14.5Kg |



Product Description:

HF102 is a three-way entertainment speaker for high-class Night clubs. Specially design for KTV rooms. It delivers extraordinary performance and excellent sound enjoyment.

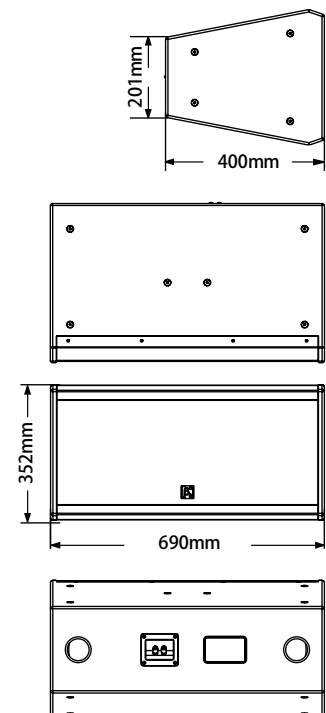


Key Features and Benefits:

- 2x10" high power LF transducer
- 2x4"+2x3" cone paper MF and HF drivers
- Three way Hi-Fi class entertainment speaker
- Adopt high-efficient entertainment specialized units
- Outstanding performance on vocal
- Flexible at low frequency and sweet at high frequency
- Computer aided design to optimize frequency and phase response
- Apply patented PSD (point source design), more accurate for sound Image Localization
- Center audio effect and surround sound effect can be switchable
- Good choice for Luxury night club, KTV, Dancing hall, and Multifunctional hall
- Suitable for use as a main system with or without sub speaker augmentation

System Specifications:

| | |
|-----------------------------|------------------------------|
| Transducers | 2x10" LF, 2x3"+2x4" HF |
| Frequency Response | 45Hz - 18 KHz |
| Sensitivity (1W@1m) | 92dB |
| Rated Power (RMS) | 360W |
| Average SPL | 118dB |
| Crossover point | MF-LF: 800Hz, MF-HF: 3.5 kHz |
| Rated impedance | 8 Ohms |
| Connector | binding post |
| Product dimension (WxDxH) | 690 x 400 x 352mm |
| Packaging dimension (WxDxH) | 810 x 450 x 490mm |
| Net Weight | 21.5Kg |
| Gross Weight | 23.5Kg |



Product Description:

HF110 is a two-way entertainment speaker for high-class Night clubs. Specially design for KTV rooms. It delivers extraordinary performance and excellent sound enjoyment.

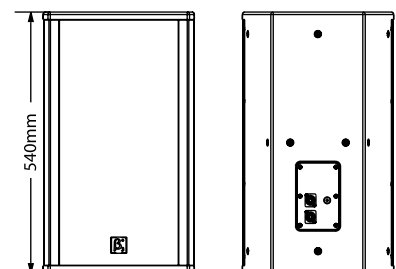
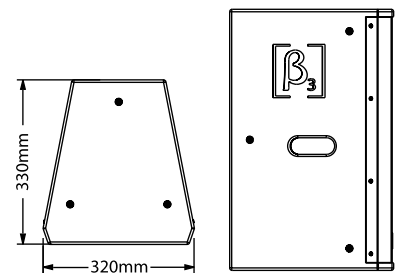
Key Features and Benefits:

- 1x10" high power LF transducer
- 1x44mm compression HF driver
- Two way Hi-Fi class entertainment speaker
- Adopt high-efficient entertainment specialized units
- Outstanding performance on vocal
- Flexible at low frequency and sweet at high frequency
- Computer aided design to optimize frequency and phase response
- Rotatable horn loaded suit for various applications
- Apply patented PSD, more accurate for Sound Image localization
- Center audio effect and surround sound effect can be switchable
- Good choice for Luxury night club, KTV, Dancing hall, and Multifunctional hall
- Suitable for use as a main system with or without sub speaker augmentation



System Specifications:

| | |
|-----------------------------|----------------------|
| Transducers | 1x10" LF, 1x 44mm HF |
| Frequency Response | 52Hz - 18 KHz |
| Sensitivity (1W@1m) | 92dB |
| Rated Power (RMS) | 200W |
| Average SPL) | 115dB |
| Crossover point | LF-MF:2.5kHz |
| Rated impedance | 8 Ohms |
| Connector | NL4 x2 |
| Product dimension (WxDxH) | 320 x 330 x 540mm |
| Packaging dimension (WxDxH) | 390 x 390 x 620mm |
| Net Weight | 14.0Kg |
| Gross Weight | 16.0Kg |



Product Description:

HF121 is a two-way full range entertainment speaker for high-class Night clubs. Specially design for Bars, Multifunction halls, Hi rooms, luxury KTV rooms. It delivers extraordinary performance and excellent sound enjoyment.

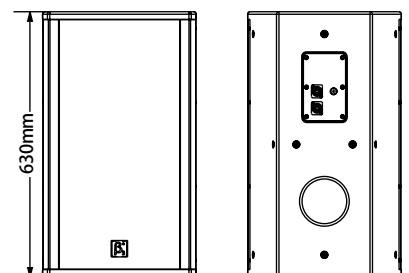
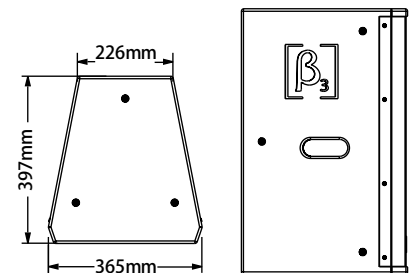
Key Features and Benefits:

- 1x12" high power LF transducer
- 1x36mm compression HF driver
- Two way Hi-Fi class entertainment speaker
- Adopt high-efficient entertainment specialized units
- Outstanding performance on vocal
- Flexible at low frequency and sweet at high frequency
- Computer aided design to optimize frequency and phase response
- Rotatable horn loaded suit for various applications
- Apply patented PSD, more accurate for Sound Image localization
- Center audio effect and surround sound effect can be switchable
- Good choice for Luxury night club, KTV, Dancing hall, and Multifunctional hall
- Suitable for use as a main system with or without sub speaker augmentation



System Specifications:

| | |
|-----------------------------|-------------------|
| Transducers | 1x12" LF, 1x3" HF |
| Frequency Response | 50Hz - 20 KHz |
| Sensitivity (1m/1w) | 95dB |
| Rated Power (RMS) | 350W |
| Average SPL | 119dB |
| Crossover point | 1.5 kHz |
| Rated impedance | 8 Ohms |
| Input way | NL4x2 |
| Product dimension (WxDxH) | 365 x 397 x 630mm |
| Packaging dimension (WxDxH) | 485 x 485 x 750mm |
| Net Weight | 27.5Kg |
| Gross Weight | 30.0Kg |



Product Description:

HF151 is a two-way full range entertainment speaker for high-class Night clubs. Specially design for Bars, Multifunction halls, Hi rooms, luxury KTV rooms. It delivers extraordinary performance and excellent sound enjoyment.

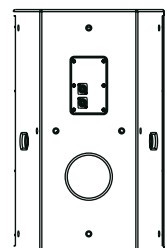
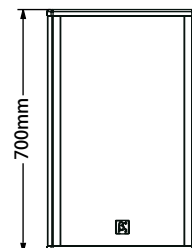
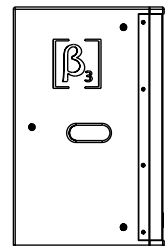
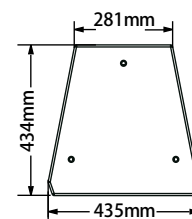
Key Features and Benefits:

- 1x15" high power LF transducer
- 1x50mm compression HF driver
- Two way Hi-Fi class entertainment speaker
- Adopt high-efficient entertainment specialized units
- Outstanding performance on vocal
- Flexible at low frequency and sweet at high frequency
- Computer aided design to optimize frequency and phase response
- Rotatable horn loaded suit for various applications
- Apply patented PSD, more accurate for Sound Image localization
- Center audio effect and surround sound effect can be switchable
- Good choice for Luxury night club, KTV, Dancing hall, and Multifunctional hall
- Suitable for use as a main system with or without sub speaker augmentation



System Specifications:

| | |
|-----------------------------|-------------------|
| Transducers | 1x15" LF, 1x3" HF |
| Frequency Response | 45Hz - 20 KHz |
| Sensitivity (1W@1m) | 97dB |
| Rated Power (RMS) | 400W |
| Average SPL | 118dB |
| Crossover point | 1.5 kHz |
| Rated impedance | 8 Ohms |
| Connector | NL4x2 |
| Product dimension (WxDxH) | 435 x 434 x 700mm |
| Packaging dimension (WxDxH) | 560 x 540 x 820mm |
| Net Weight | 37.5Kg |
| Gross Weight | 40.0Kg |



Product Description:

HF153 is a three-way full range entertainment speaker for high-class Night clubs. Specially design for Bars, Multifunction halls, Hi rooms, luxury KTV rooms. It delivers extraordinary performance and excellent sound enjoyment.

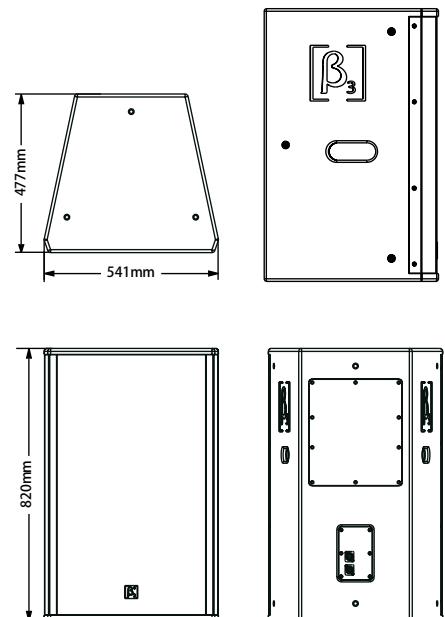
Key Features and Benefits:

- Three-way Hi-Fi speaker
- Build in CIARE woofer and B&C driver
- Rotable tweeter horn design which can be applied for more venues
- Adopt bass reflex design which make the low frequency more plump and powerful
- Can be used as main speaker, with HF182B can get better sound quality as well as sound reproduction
- Used for Bars, Multifunction halls, Hi rooms, luxury KTV rooms



System Specifications:

| | |
|-----------------------------|-----------------------------|
| Transducers | 1x15" LF, 1x10" MF, 1x3" HF |
| Frequency Response | 70Hz - 20 KHz |
| Sensitivity (1m/1w) | 101dB |
| Rated Power (RMS) | 500W |
| Average SPL(1W) | 128dB |
| Crossover point | LF-MF: 300Hz MF-HF: 2.5kHz |
| Rated impedance | 8 Ohms |
| Connector | NL4x2 |
| Product dimension (WxDxH) | 541 x 477 x 820mm |
| Packaging dimension (WxDxH) | 370 x 610 x 960mm |
| Net Weight | 53.5Kg |
| Gross Weight | 57.0Kg |



Product Description:

HF181B is a single 18" subwoofer for high-class Night clubs. Specially designed for Bars, Multifunctional halls, Hi rooms, luxury KTV rooms. It delivers extraordinary performance and excellent sound enjoyment.

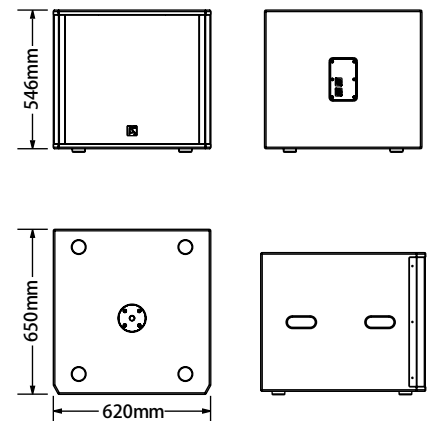
Key Features and Benefits:

- 1x18" high power ultra low frequency transducer
- 2xNL4 connectors
- Adopt high-efficient entertainment specialized unit
- Outstanding performance on ultra low frequency sound reproduction
- Computer aided design to optimize frequency and phase response
- Good choice for Luxury night club, KTV, Dancing hall, and Multifunctional hall
- Using together with HF series full range speaker to get excellent sound reproduction
- Durable polyurethane textured base paint



System Specifications:

| | |
|-----------------------------|-------------------|
| Transducers | 1x18" LF |
| Frequency Response | 40Hz - 1 KHz |
| Sensitivity (1m/1w) | 97dB |
| Rated Power (RMS) | 600W |
| Average SPL | 125dB |
| Rated impedance | 8 Ohms |
| Input way | 2xNL4 |
| Product dimension (WxDxH) | 620 x 650 x 546mm |
| Packaging dimension (WxDxH) | 760 x 675 x 730mm |
| Net Weight | 45.0Kg |
| Gross Weight | 50.0Kg |



Product Description:

HF182B is with two 18" subwoofers for high-class Night clubs. Specially designed for Bars, Multifunctional halls, Hi rooms, luxury KTV rooms. It delivers extraordinary performance and excellent sound enjoyment.

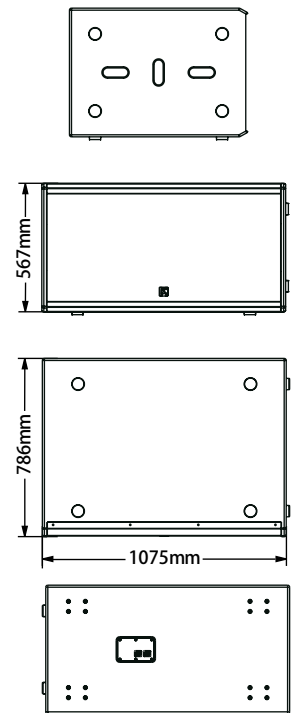


Key Features and Benefits:

- 2x18" high power ultra low frequency transducer
- 2xNL4 connectors
- Adopt high-efficient entertainment specialized unit
- Outstanding performance on ultra low frequency sound reproduction
- Computer aided design to optimize frequency and phase response
- Good choice for Luxury night club, KTV, Dancing hall, and Multifunctional hall
- Using together with HF series full range speaker to get excellent sound reproduction
- Durable polyurethane textured base paint

System Specifications:

| | |
|-----------------------------|--------------------|
| Transducers | 2x18" LF |
| Frequency Response | 30Hz - 1 KHz |
| Sensitivity (1m/1w) | 97dB |
| Rated Power (RMS) | 1200W |
| Average SPL | 128dB |
| Rated impedance | 8 Ohms |
| Input way | NL4x2 |
| Product dimension (WxDxH) | 1075 x 786 x 567mm |
| Packaging dimension (WxDxH) | 1185 x 895 x 685mm |
| Net Weight | 85.0Kg |
| Gross Weight | 90.0Kg |



LINE ARRAY SERIES

Line Array system

The Beta Three® Line Array Series speakers have been designed and engineered to European standards, constructed of premium birch plywood and offer high output with a smooth frequency response in professional portable or installed applications.

R4/R8+
R5/R10+
R6/R12
R6/R12a
SLA10H
SLA212B
TLA101
TLA121
TLA101F
TLA121F
TLB101F
TLB121F
TLB218F



Product Description:

The Compact Active Line Array loudspeaker system are used in applications including sound reinforcement for Houses of Worship, Events, Theme Parks, Multifunctional Auditoriums, Schools, and Transit Terminals etc. The R Series Compact Active Line Array systems delivers extraordinary performance where high speech intelligibility and natural sounding music is required at unmatched value.

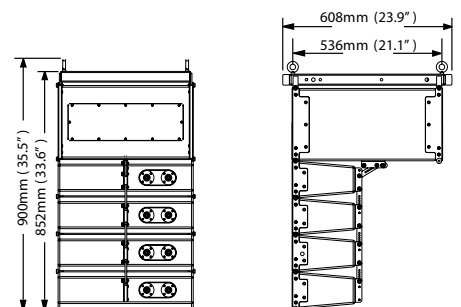
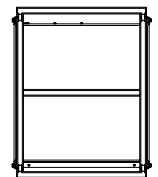
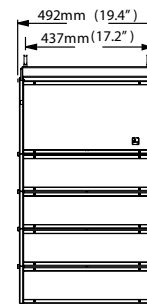
Key Features and Benefits:

- The system comprises of 4 x R4 mid/high boxes consisting of 1 x Ribbon and 2 x 4" drivers per cabinet and 1 x R8 Subwoofer cabinet comprising of 2 x 8" drivers
- Built-in power amplifier module and DSP speaker processing within the R8
- The DSP includes PEQ, Crossover and Slope, Delay, Gain and Limiter and is programable via either RS232 or USB by PC
- RS485 allows multiple systems to be connected together for control
- Software included
- Master volume control
- XLR input and output connectors
- Integrated rigging and speaker cabling included for the system
- Rigging allows adjustment of R4 in 1° increments
- Designed for high speech intelligibility and natural sounding music
- Suitable for use as a main system with or without sub speaker augmentation
- Permanent installation
- Powder coated grill
- Durable Polyurethane textured base paint
- Available in either black or white



System Specifications:

| | |
|--------------------------------------|---|
| Construction | 15mm Birch Plywood |
| Transducers | R4: 1 x Ribbon Driver HF + 2 x 4" MF - R8: 2 x 8" LF |
| Frequency Response (-3dB) | 50Hz-20kHz |
| Rated Power | 4 x 75W HF, 1 x 300W LF (RMS) |
| Amplifier Type | Class H |
| Maximum SPL | 118dB/124dB (Peak) |
| Input Impedance | Balanced 20k Ω , Unbalanced 10k Ω |
| Rated Impedance | 8 Ω |
| Dispersion (H x V) | 120° x 30° |
| Connector | R8: XLR Line Input/Output, XLR RS485 Input/Output, 2 x NL4 Output R4: 2 x NL4 |
| Power Supply | 220V/50-60Hz |
| Dimensions (W x D x H) | 492mm (8.7") x 608mm (24") x 900mm (35.5") |
| Packaging Dimensions (1 system/pack) | 580mm (22.8") x 696mm (27.4") x 696mm (27.4") |
| Net Weight (1 system/pack) | 45kg (99lb) |
| Gross Weight (1 system/pack) | 50kg (110lb) |

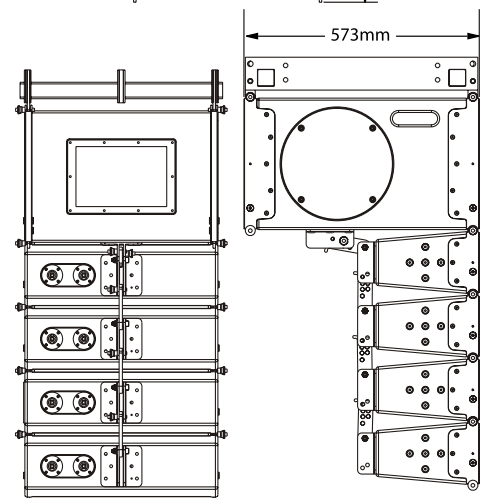
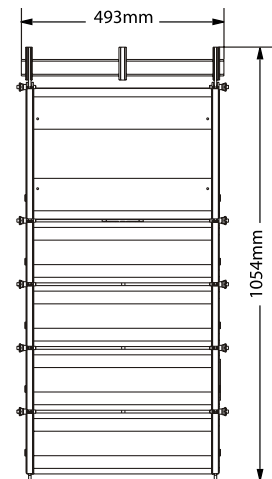


Product Description:

The Compact Line Array loudspeaker system are used in applications including sound reinforcement for Houses of Worship, Events, Theme Parks, Multifunctional Auditoriums, Schools, and Transit Terminals etc. The R Series Compact Line Array systems delivers extraordinary performance where high speech intelligibility and natural sounding music is required at unmatched value.

Key Features and Benefits:

- The system comprises of 4×R5 mid/high boxes consisting of 1×Ribbon HF and 2×5"MF/LF drivers per cabinets and 1×R10 Subwoofer cabinet comprising of 2×10"drivers
- Built-in DSP power amplifier module and DSP speaker processing within the R10
- 500W DSP active amplifier module
- The DSP includes Frequency Response, Crossover and Slope, Delay, Gain and Limiter is programable via RS232 or USB by PC
- Software included
- Master volume control
- XLR input and output connectors
- Integrated rigging and speaker cabling included for the system
- Rigging allows adjustment of R5 in 1°increments
- Designed for high speech intelligibility and natural sounding music
- Suitable for use as a main system with or without sub speaker augmentation
- Permanent installation
- Powder coated grill
- Durable Polyurethane textured base paint
- Available in either black or white.



System Specifications:

| | |
|---------------------------|--|
| Construction | 15mm Birch Plywood |
| Transducers | R5:1×Ribbon Driver HF + 2×5"MF/LF, R10: 2×10"LF |
| Frequency Response (-3dB) | 50Hz-20kHz |
| Rated Power | 500W (RMS) |
| Maximum SPL | 124dB |
| Rated Impedance | Balanced 20kΩ, Unbalanced 10kΩ |
| Dispersion (H x V) | 120°x 30°- 90° |
| Connector | R10: XLR Line Input/Output, RS232 Input/Output; R5:2×NL4 |
| Dimensions (W x D x H) | 493mm×573×1054mmmm |

Product Description:

The Compact Line Array loudspeaker system are used in applications including sound reinforcement for Houses of Worship, Events, Theme Parks, Multifunctional Auditoriums, Schools, and Transit Terminals etc. The R Series Compact Line Array systems delivers extraordinary performance where high speech intelligibility and natural sounding music is required at unmatched value.

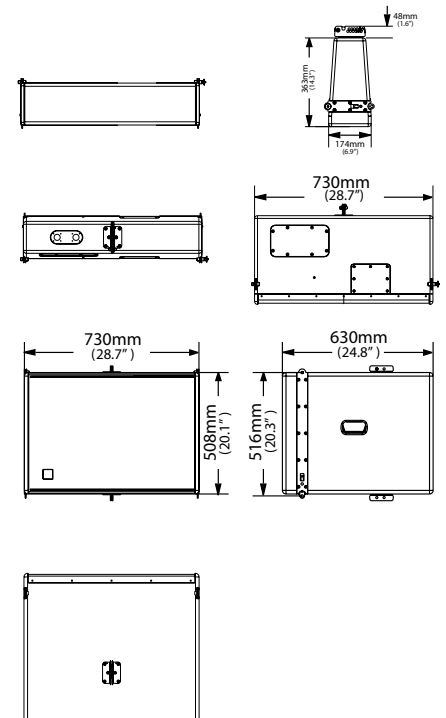
Key Features and Benefits:

- The system comprises of 4 x R6 mid/high boxes consisting of 1 x Ribbon tweeter, 1 x 6.5" MF and 2 x 6.5" LF drivers per full range speaker, and 1 x R12 Subwoofer consisting of 2 x 12" LF drivers
- 2 x NL4 input and output connectors on each cabinet
- For optimum performance use with a Beta Three® a digital speaker management processor
- Integrated rigging and speaker cabling included for the system
- Rigging allows adjustment of R6 in 1° increments
- Designed for high speech intelligibility and natural sounding music
- Suitable for use as a main system with or without sub speaker augmentation
- Permanent installation
- Powder coated grill
- Durable Polyurethane textured base paint
- Available in either black or white



System Specifications:

| | |
|--|--|
| Construction | R6: 15mm Birch Plywood. R12:18mm Birch Plywood |
| Transducers | R6: 1 x Ribbon HF + 1 x 6.5" MF + 2 x 6.5" LF. R12 2 x 12" LF |
| Frequency Response (-3dB) | R6: 50Hz-20kHz. R12: 45Hz-300Hz |
| Rated Power | R6: 140W (RMS), 280W (Program), 560W (Peak). R12: 900W (RMS), 1800W (Program), 3600W (Peak) |
| Sensitivity (1W @ 1m) | R6: 95dB, R12: 92dB |
| Maximum SPL | R6: 116dB/122dB (Peak). R12: 122dB/128dB (Peak) |
| Rated Impedance | R6: 8Ω, R12: 4Ω |
| Dispersion (H x V) | R6: 120° x 30° |
| Dimensions (W x D x H) | R6: 730mm (28.7") x 363mm (14.3") x 174mm (6.9"). R12: 508mm (20.1") x 630mm (24.8") x 730mm (28.7") |
| Packaging Dimensions R6 (1 piece/pack) | R6: 840mm (33.1") x 510mm (20.1") x 260mm (10.2") |
| Packaging Dimensions R12 (1 piece/pack) | R12: 870mm (34.3") x 784mm (30.9") x 670mm (26.4") |
| Packaging Dimensions for Flying Frame (1 piece/pack) | FF: 810mm (32") x 196mm (7.7") x 740mm (29.1") |
| Net Weight (1 piece/pack) | R6: 17kg (37.4lb), R12: 50kg (110lb) |
| Gross Weight (1 piece/pack) | R6: 19kg (41.8lb), R12: 55kg (121lb), FF 13.5kg (29.8") |

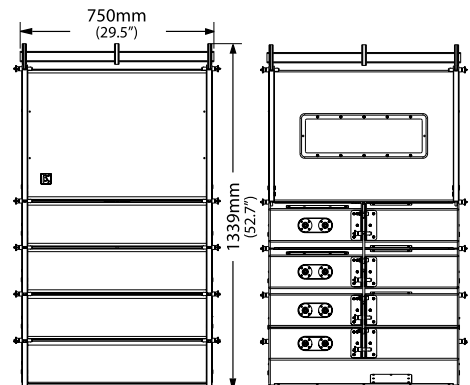
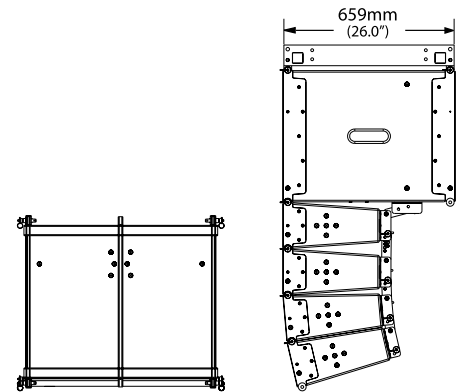


Product Description:

The Compact Line Array loudspeaker system are used in applications including sound reinforcement for Houses of Worship, Events, Theme Parks, Multifunctional Auditoriums, Schools, and Transit Terminals etc. The R Series Compact Line Array systems delivers extraordinary performance where high speech intelligibility and natural sounding music is required at unmatched value.

Key Features and Benefits:

- The system comprises of 4 x R6 mid/high boxes consisting of 1 x Ribbon tweeter, 1 x 6.5" MF and 2 x 6.5" LF drivers per full range speaker, and 1 x R12 Subwoofer consisting of 2 x 12" LF drivers
- Stable 3000W amplifier module
- 2 x NL4 input and output connectors on each cabinet
- For optimum performance use with a Beta Three® a digital speaker management processor
- Integrated rigging and speaker cabling included for the system
- Rigging allows adjustment of R6 in 1° increments
- Designed for high speech intelligibility and natural sounding music
- Suitable for use as a main system with or without sub speaker augmentation
- Permanent installation
- Powder coated grill
- Durable Polyurethane textured base paint
- Available in either black or white



System Specifications:

| | |
|--|--|
| Construction | R6: 15mm Birch Plywood. R12:18mm Birch Plywood |
| Transducers | R6ll: 1 x Ribbon HF + 1 x 6.5" MF + 2 x 6.5" LF. R12a 2 x 12" LF |
| Frequency Response (-3dB) | 40Hz-20kHz |
| Rated Power | 3000W |
| Maximum SPL | 124dB/130dB (Peak) |
| Input impedance(line) | 20k 8Ω balanced input |
| Dispersion (H x V) | 90° x 10° |
| Connector | R6ll: NL4;R12a:XLR for input, XLR for output |
| Dimensions (W x D x H) | R6ll: 419mm (16.5") x 210mm (8.3") x 736mm (29.0") . R12a: 736mm (29.0") x 667mm (26.3") x 542mm (21.3") |
| Packaging Dimensions R6ll (1 piece/pack) | R6ll: 505mm (19.9") x 310mm (12.2") x 876mm (34.5") |
| Packaging Dimensions R12a (1 piece /pack) | R12a: 815mm (32.1") x 656mm (25.8") x 876mm (34.5") |
| Packaging Dimensions for Flying Frame (1 piece/pack) | FF: 779mm (30.7") x 225mm (8.9") x 870mm (34.3") |
| Net Weight (1 piece/pack) | R6ll: 17.5kg (38.5lb), R12a: 52.5kg (115.5lb) |
| Gross Weight (1 piece/pack) | R6ll: 20.5kg (45.1lb), R12a: 59kg (129.8lb), FF 14.5kg (31.9") |

Product Description:

The SLA series high SPL line array speakers used in applications including sound reinforcement for Houses of Worship, Events, Indoor Stadiums, Theme Parks, Multifunctional Auditoriums, Schools, and Transit Terminals etc. Excellent for live, rental and portable sound reinforcement applications. The SLA series line array loudspeaker delivers extraordinary performance where high SPL, high speech intelligibility and natural sound music is required at unmatched value.

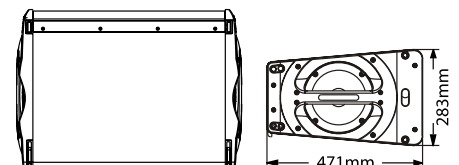


Key Features and Benefits:

- High SPL output and sensitivity
- 2x8" high power LF transducers
- 2x1.75" compression HF drivers
- 1x10" high power MF transducer
- 2xNL4 connectors
- Cabinet design for FOH use
- Computer aided design to optimise frequency and phase response
- Standard SLA flying frame and SLF1 flying frame combined together allows maximum 16pcs SLA10H array together vertically
- Apply Water proof , Anti-collision and Durable polyurethane paint
- Suitable for use as a main system with or without sub speaker augmentation
- Rigging allows adjustment from 0°- 5°
- The speaker cabinet include all the flying hardwares
- Can be arrayed with SLA212B
- Optional SLF1 flying frame

System Specifications:

| | |
|-------------------------------------|---|
| Construction | 15mm Birch Plywood |
| Transducers | 2 x 1.75" HF + 2 x 8" LF + 1 x 10" MF |
| Frequency Response (-3dB) | 45Hz-20kHz |
| Rated Power | 200W (RMS), 400W (Program), 800W (Peak) |
| Sensitivity (1W @ 1m) | 110dB |
| Rated Impedance | 8Ω |
| Dimensions (W x D x H) | 685mm x 471mm x 283mm |
| Packaging Dimensions (1 piece/pack) | 750mm x 570mm x 385mm |
| Net Weight (1 piece/pack) | 29.1kg |
| Gross Weight (1 piece/pack) | 32.1kg |



Product Description:

The SLA series high SPL line array speakers used in applications including sound reinforcement for Houses of Worship, Events, Indoor Stadiums, Theme Parks, Multifunctional Auditoriums, Schools, and Transit Terminals etc. Excellent for live, rental and portable sound reinforcement applications. The SLA series line array loudspeaker delivers extraordinary performance where high SPL, high speech intelligibility and natural sound music is required at unmatched value.

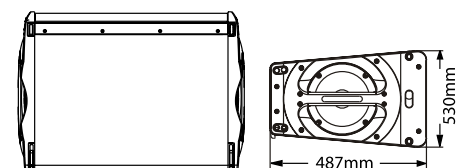
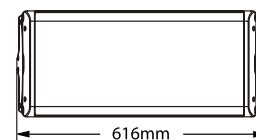


Key Features and Benefits:

- High out SPL and sensitivity
- 2x12" high power LF transducers
- 2xNL4 connectors
- Computer aided design to optimise frequency and phase response
- Multi-functional LF speaker system, it can be arrayed with SLA10H full range frequency speakers or array together separately
- Apply Water proof , Anti-collision and Durable polyurethane paint
- Rigging allows adjustment from 0°- 5°between CLA212B and CLA10H
- The speaker cabinet include all the flying hardwares
- Optional SLF1 flying frame

System Specifications:

| | |
|-------------------------------------|---|
| Construction | 15mm Birch Plywood |
| Transducers | 2 x 12" LF |
| Frequency Response (-3dB) | 40Hz-250Hz |
| Rated Power | 800W (RMS), 1600W (Program), 3200W (Peak) |
| Sensitivity (1W @ 1m) | 100dB |
| Rated Impedance | 4Ω |
| Connector | 2 x NL4 |
| Dimensions (W x D x H) | 616mm x 487mm x 530mm |
| Packaging Dimensions (1 piece/pack) | 716mm x 588mm x 630mm |
| Net Weight (1 piece/pack) | 45.5kg |
| Gross Weight (1 piece/pack) | 49.5kg |



Product Description:

The medium to large sized line array loudspeaker are used in applications including sound reinforcement for Houses of Worship, Events, Indoor Stadiums, Theme Parks, Multifunctional Auditoriums, Schools, and Transit Terminals etc. Excellent for live, rental and portable sound reinforcement applications. The TLA Series line array loudspeaker delivers extraordinary performance where high speech intelligibility and natural sounding music is required at unmatched value.

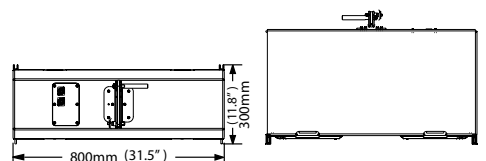
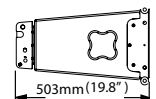
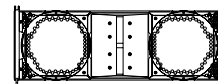
Key Features and Benefits:

- High output SPL and sensitivity
- 2 x 10" high power Neodymium transducers
- 2 x 1.7" Neodymium HF compression driver
- Bi-amp configuration
- Patented waveguide design
- 120° x 30° coverage pattern
- 2 x NL4 connectors
- Computer aided design to optimise frequency and phase response
- Cabinet design for FOH use
- Suitable for use as a main system with or without sub speaker augmentation
- 12 x TLA101 can be arrayed in a single vertical column
- Trapezoidal cabinet with with integrated flywear and locking pins makes assembly and disassembly easy
- Rigging allows adjustment from 0°-5° in 1° increments
- Powder coated grill
- Can be arrayed with TLB101
- Durable Polyurethane textured base paint
- For optimum performance use with a Beta Three® a digital speaker management processor



System Specifications:

| | |
|-------------------------------------|---|
| Construction | 15mm Birch Plywood |
| Transducers | 2 x 1.7" HF Compression Driver + 2 x 10" LF |
| Frequency Response (-3dB) | 1kHz-19kHz HF, 100Hz-4kHz LF |
| Rated Power | 70W (RMS) HF, 400W (RMS) LF |
| Sensitivity (1W @ 1m) | 110dB HF, 102dB LF |
| Rated Impedance | 8Ω HF, 8Ω LF |
| Dispersion (H x V) | 120° x 30° |
| Connector | 2 x NL4 |
| Dimensions (W x D x H) | 800mm (31.5") x 503mm (19.8") x 300mm (11.8") |
| Packaging Dimensions (1 piece/pack) | 890mm (35.1") x 585mm (23.1") x 390mm (15.4") |
| Net Weight (1 piece/pack) | 22.5kg (49.5lb) |
| Gross Weight (1 piece/pack) | 25.5kg (56.1lb) |



Product Description:

The medium to large sized line array loudspeaker are used in applications including sound reinforcement for Houses of Worship, Events, Indoor Stadiums, Theme Parks, Multifunctional Auditoriums, Schools, and Transit Terminals etc. Excellent for live, rental and portable sound reinforcement applications. The TLA Series line array loudspeaker delivers extraordinary performance where high speech intelligibility and natural sounding music is required at unmatched value.

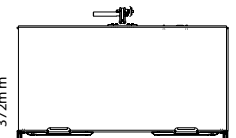
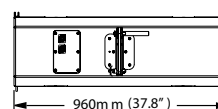
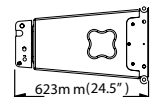
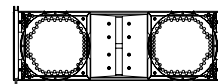
Key Features and Benefits:

- High output SPL and sensitivity
- 2 x 12" high power Neodymium transducers
- 2 x 3" Neodymium compression drivers
- Bi-amp configuration
- Patented waveguide design
- 110° x 80° HF and 30° x 90° LF coverage pattern
- 2 x NL4 connectors
- Computer aided design to optimise frequency and phase response
- Cabinet design for FOH use
- Suitable for use as a main system with or without sub speaker augmentation
- 12 x TLA121 can be arrayed in a single vertical column
- Trapezoidal cabinet with with integrated flywear and locking pins makes assembly and disassembly easy
- Rigging allows adjustment from 0°-10° in 1° increments
- Powder coated grill
- Durable Polyurethane textured base paint
- For optimum performance use with a Beta Three® a digital speaker management processor



System Specifications:

| | |
|-------------------------------------|--|
| Construction | 15mm Birch Plywood |
| Transducers | 2 x 3" Compression Driver HF + 2 x 12" LF |
| Frequency Response (-3dB) | 900Hz-15kHz HF. 90Hz-4kHz LF |
| Rated Power | HF: 100W (RMS), 200W (Program), 400W (Peak). LF: 500W (RMS), 1000W (Program), 2000W (Peak) |
| Sensitivity (1W @ 1m) | 110dB HF, 102dB LF |
| Maximum SPL | 134dB/140dB HF (Peak), 131/137dB LF (Peak) |
| Rated Impedance | 16Ω HF, 16Ω LF |
| Dispersion (H x V) | 110° x 80° HF, 30° x 90° LF |
| Connector | 2 x NL4 |
| Dimensions (W x D x H) | 960mm (37.8") x 623mm (24.5") x 372mm (14.7") |
| Packaging Dimensions (1 piece/pack) | 1080mm (42.6") x 700mm (27.6") x 440mm (17.3") |
| Net Weight (1 piece/pack) | 37kg (81.4lb) |
| Gross Weight (1 piece/pack) | 43kg (94.6lb) |



Product Description:

The medium to large sized weatherproof line array loudspeaker used in applications including sound reinforcement for Houses of Worship, Events, Stadiums, Theme Parks, Multifunctional Auditoriums, Schools, and Transit Terminals etc. Excellent for live, rental and portable outdoor sound reinforcement applications. The TLA Series line array loudspeaker delivers extraordinary performance where high speech intelligibility and natural sounding music is required at unmatched value.

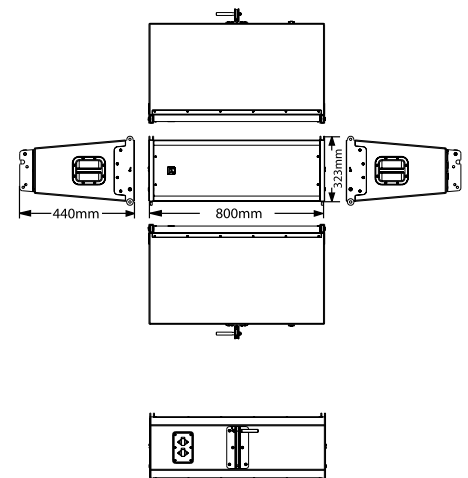
Key Features and Benefits:

- 2 x 10" high power Neodymium transducers
- 2 x 1.7" Neodymium HF compression driver
- Bi-amp configuration
- HF 100° x 70°, LF 30° x 80° coverage pattern
- 2 x NL4 connectors
- Trapezoidal cabinet with integrated flywear and locking pins makes assembly and disassembly
- Stainless steel grill
- Computer aided design to optimize frequency and phase response
- Can be arrayed with TLB 101F
- Rigging allows adjustment from 0° - 5° in 1° increment
- Cabinet constructed by Russian outdoor plywood
- Durable weatherproof polyurethane textured base paint
- All terminals are weatherproof
- Cabinet construction and spare parts adoption strictly according international standard IP46
- For optimum performance use with a Beta Three digital speaker management processor



System Specifications:

| | |
|-------------------------------------|------------------------------|
| Construction | 15mm Russian Birch Plywood |
| Transducers | 2 x 1.7" HF + 2 x 10" LF |
| Frequency Response (-3dB) | 1kHz-16kHz HF, 60Hz-4kHz LF |
| Rated Power | 140W (RMS) HF, 400W (RMS) LF |
| Sensitivity (1W @ 1m) | 110dB HF, 100dB LF |
| Rated Impedance | 8Ω HF, 8Ω LF |
| Dispersion (H x V) | HF 100° x 70°, LF 30° x 80° |
| Connector | 2 x NL4 waterproof connector |
| Dimensions (W x D x H) | 800mm x 440mm x 323mm |
| Packaging Dimensions (1 piece/pack) | 920mm x 585mm x 430mm |
| Net Weight (1 piece/pack) | 26.5kg |
| Gross Weight (1 piece/pack) | 29.5kg |



TLA121F

Product Description:

The medium to large sized weatherproof line array loudspeaker used in applications including sound reinforcement for Houses of Worship, Events, Indoor Stadiums, Theme Parks, Multifunctional Auditoriums, Schools, and Transit Terminals etc. Excellent for live, rental and portable outdoor sound reinforcement applications. The TLA Series line array loudspeaker delivers extraordinary performance where high speech intelligibility and natural sounding music is required at unmatched value.

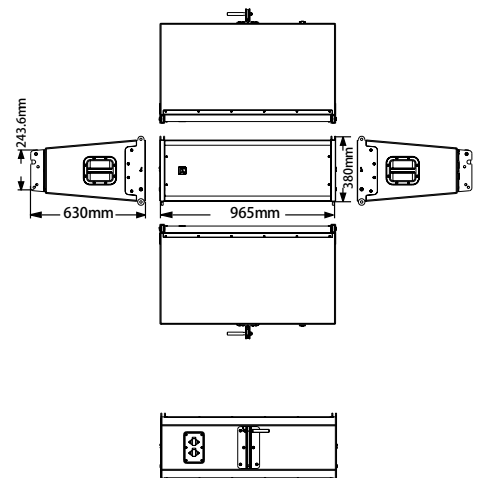


Key Features and Benefits:

- High output SPL and sensitivity
- 2x 3" Neodymium Compression driver
- 2x12" high power Neodymium woofer
- Patented waveguide design
- Dispersion HF 110°x80°, LF 30°x90°
- Trapezoidal cabinet with integrated fly wear and locking pins makes assembly and disassembly easy
- Stainless steel grill
- Computer aided design to optimize frequency and phase response
- Cabinet design for FOH use
- Rigging allows adjustment from 0°- 10°in 1°increment
- Cabinet constructed by Russian outdoor plywood
- Durable weatherproof polyurethane textured base paint
- All terminals are weatherproof
- Cabinet construction and spare parts adoption strictly according international standard IP46
- For optimum performance use with a Beta Three digital speaker management processor

System Specifications:

| | |
|------------------------------|---|
| Construction | 15mm Russian Birch Plywood |
| Transducers | 2x3" HF + 2x12" LF |
| FrequencyResponse(-3dB) | HF 900Hz-16 kHz , LF 50Hz-4 kHz |
| Power | LF: 500W, HF: 100W (RMS) /LF: 1000W, HF: 200W (MUSIC) /LF: 2000W, HF: 400W (PEAK) |
| Sensitivity (1W@1m) | LF: 102dB, HF: 110dB |
| Maximum SPL | LF: 126dB /132dB (PEAK) /HF: 130dB /136 dB (PEAK) |
| Rated Impedance | LF: 8 Ohms, HF: 8 Ohms |
| Dispersion | LF 30°x 90°, HF 110°x80° |
| Recommended Crossover Point | 1.6kHz-2.5kHz |
| Connector | 2x NL4 Waterproof connector |
| Cabinet | Trapezoidal shape |
| Installation | Appropriate frame with3/4"shackle |
| Dimensions (WxHxD) | 965x380x630mm(38.0x15.0x24.8in) |
| Packaging Dimensions (WxHxD) | 1080x440x700mm (42.5x17.3x27.6in) |
| New Weight | 41kg |
| Gross Weight | 46.5kg |



Product Description:

The TLB Series weatherproof Subwoofer loudspeaker utilises high power low frequency drivers with a structurally solid enclosure. The TLB Series weatherproof subwoofer loudspeaker delivers extended low frequency bandwidth with excellent punch. Suitable for applications including sound reinforcement for Houses of Worship, Events, Stadiums, Theme Parks, Multifunctional Auditoriums, Schools, and Transit Terminals etc. Excellent for live, rental and portable outdoor sound reinforcement applications.

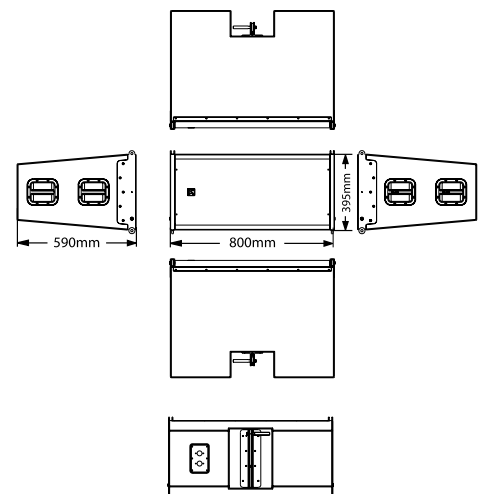
Key Features and Benefits:

- High SPL and sensitivity
- Dual 12" ferrite low frequency transducer
- 2xNL4 connectors
- Trapezoidal cabinet with integrated flywear and locking pins
- Stainless steel grill
- Combine with Bate three ® line array TLA101F series high power speaker for extended full range frequency, high quality music reproduction.
- Computer aided design to optimize frequency and phase response
- Rigging allows adjustment from 0°- 5°in 1°increment
- Cabinet constructed by Russian outdoor plywood
- Durable weatherproof polyurethane textured base paint
- All terminals are weatherproof
- Cabinet construction and spare parts adoption strictly according international standard IP46



System Specifications:

| | |
|-------------------------------------|----------------------------|
| Construction | 18mm Russian Birch Plywood |
| Transducers | 2 x 12" LF |
| Frequency Response (-3dB) | 45Hz-500Hz |
| Rated Power | 800W (RMS) |
| Sensitivity (1W @ 1m) | 99dB |
| Maximum SPL | 121dB/127dB (Peak) |
| Rated Impedance | 4Ω |
| Connector | 2 x NL4 |
| Dimensions (W x D x H) | 800mm x 590mm x 395mm |
| Packaging Dimensions (1 piece/pack) | 940mm x 710mm x 510mm |
| Net Weight (1 piece/pack) | 46.5kg |
| Gross Weight (1 piece/pack) | 49.5kg |



Product Description:

The TLB Series weatherproof Subwoofer loudspeaker utilises high power low frequency drivers with a structurally solid enclosure. The TLB Series weatherproof subwoofer loudspeaker delivers extended low frequency bandwidth with excellent punch. Suitable for applications including sound reinforcement for Houses of Worship, Events, Stadiums, Theme Parks, Multifunctional Auditoriums, Schools, and Transit Terminals etc. Excellent for live, rental and portable outdoor sound reinforcement applications.

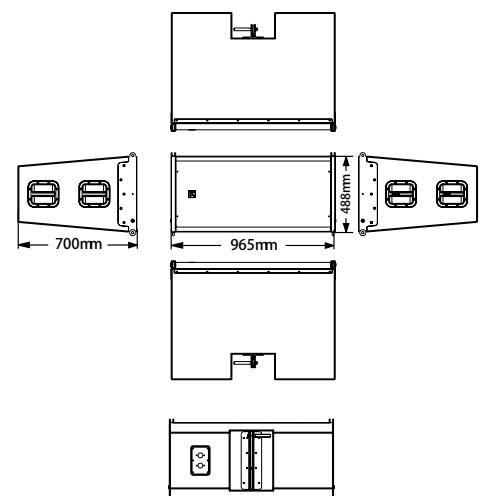


Key Features and Benefits:

- High SPL and sensitivity
- 2x 15" ferrite low frequency transducer
- 2xNL4 connectors
- Trapezoidal cabinet with integrated flywear and locking pins
- Stainless steel grill
- Combine with Bate three ® line array TLA121F series high power speaker for extended full range frequency, high quality music reproduction.
- Computer aided design to optimize frequency and phase response
- Rigging allows adjustment from 0°- 5°in 1°increment
- Cabinet constructed by Russian outdoor plywood
- Durable weatherproof polyurethane textured base paint
- All terminals are weatherproof
- Cabinet construction and spare parts adoption strictly according international standard IP46

System Specifications:

| | |
|------------------------------|---|
| Construction | 18mm Russian Birch Plywood |
| Transducers | 2x15" LF |
| Frequency Response | (-3dB)40Hz-500Hz , (-10dB)35Hz-600Hz |
| Power | 900W (RMS) /1800W (MUSIC) /3600W (PEAK) |
| Sensitivity (1W@1m) | 97dB |
| Maximum SPL | 122dB/128dB (PEAK) |
| Rated Impedance | 4 Ohms |
| Cabinet | Trapezoidal shape |
| Installation | Appropriate frame with3/4"shackle |
| Connector | 2x NL4 Waterproof connector |
| Dimensions (WxHxD) | 965x488x700 mm (38.0x19.2x27.6in) |
| Packaging Dimensions (WxHxD) | 1105x570x830 mm (43.5x22.4x32.7in) |
| New Weight | 66.7kg |
| Gross Weight | 75kg |



Product Description:

The TLB Series weatherproof Subwoofer loudspeaker utilises high power low frequency drivers with a structurally solid enclosure. The TLB Series weatherproof subwoofer loudspeaker delivers extended low frequency bandwidth with excellent punch. Suitable for applications including sound reinforcement for Houses of Worship, Events, Stadiums, Theme Parks, Multifunctional Auditoriums, Schools, and Transit Terminals etc. Excellent for live, rental and portable outdoor sound reinforcement applications.

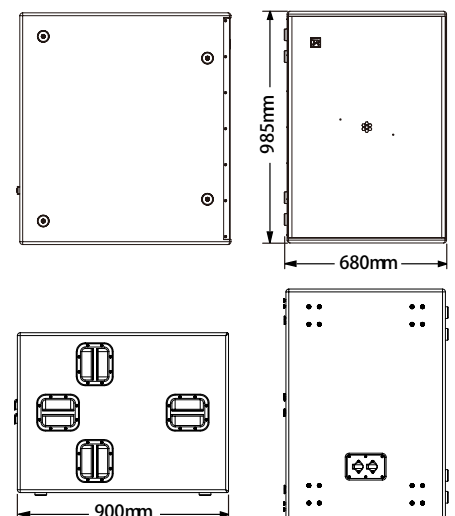


Key Features and Benefits:

- 2x 18" high efficiency subwoofers with 100mm voice coil
- 2xNL4 connectors
- Trapezoidal cabinet with integrated flywear and locking pins
- Stainless steel grill
- Combine with Bate three ® line array TLA series high power speaker for extended high quality music reproduction.
- Computer aided design to optimize frequency and phase response
- Cabinet constructed by Russian outdoor plywood
- Durable weatherproof polyurethane textured base paint
- All terminals are weatherproof
- Cabinet construction and spare parts adoption strictly according international standard IP46

System Specifications:

| | |
|-------------------------------------|--|
| Construction | 18mm Russian Birch Plywood |
| Transducers | 2 x 18" LF |
| Frequency Response (-3dB) | 35Hz-500Hz |
| Rated Power | 1000W (RMS), 2000W (Program), 4000W (Peak) |
| Sensitivity (1W @ 1m) | 102dB |
| Maximum SPL | 127dB/133dB (PEAK) |
| Rated Impedance | 4Ω |
| Connector | 2 x NL4 |
| Dimensions (W x D x H) | 985mmx 900mmx 680mm |
| Packaging Dimensions (1 piece/pack) | 1095mmx 1010x 800mm |
| Net Weight (1 piece/pack) | 97kg |
| Gross Weight (1 piece/pack) | 101kg |



ΣΗ SERIES

Professional Performance Speaker

The Beta Three® ΣΗ Series speakers are high powered, compact, constructed of premium birch plywood and are suited to a diverse range of applications. Suitable for music and vocal reproduction.

| ΣΗ215

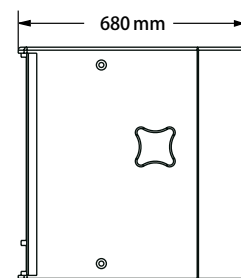
| ΣΗ118B

Product Description:

All transducers adopt optimal high magnetic energy low distortion with excellent ventilation magnet system, LF driver adopt non-linear conical cone and high power sandwich voice coil with damping treatment, HF driver adopt magnalium diaphragm with cooper wrap aluminum wire voice coil and linear phase compression cavity, combined with wide dispersion horn to obtain wide sound coverage area, patent follow-up protection circuit which enables the high sound definition with reliability.

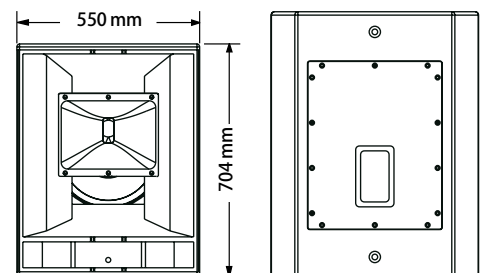
Key Features and Benefits:

- 15" LF driver with 100mm voice coil
- 220mm big magnet system which enables high power handling and reliability
- 100mm mid range and 44mm HF coaxial driver design which obtain high SPL and big dynamic with RMS power 750W
- High intensity plywood cabinet, LF extension horn design is to improve effective sensitivity
- Coaxial mid-high and low driver horn is non-symmetrical which reduce the sound interference by symmetrical sound wave
- Match with Beta Three ΣH118B bass speaker with ΣC2600 processor for high quality sound reproduction



System Specifications:

| | |
|---------------------------|----------------------------|
| Transducers | LF:1 x 15", MF/HF: BMS4952 |
| Frequency Response (-3dB) | 48Hz-20kHz |
| Rated Power | 750W (RMS) |
| Sensitivity (1W @ 1m) | 106dB |
| Average SPL (1m) | 135dB |
| Rated Impedance | 8Ω |
| Connector | 2 x NL4 |
| Dimensions (W x H x D) | 550mm x 704mm x 680mm |
| Packaging Dimensions | 780mm x 824mm x 660mm |
| Net Weight | 49.0kg |
| Gross Weight | 53.0kg |

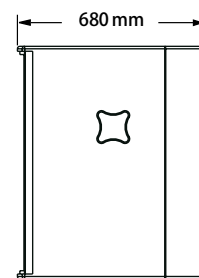


Product Description:

All transducers adopt optimal high magnetic energy low distortion with excellent ventilation magnet system, LF driver adopt non-linear conical cone and high power sandwich voice coil with damping treatment, HF driver adopt magnalium diaphragm with cooper wrap aluminum wire voice coil and linear phase compression cavity, combined with wide dispersion horn to obtain wide sound coverage area, patent follow-up protection circuit which enables the high sound definition with reliability.

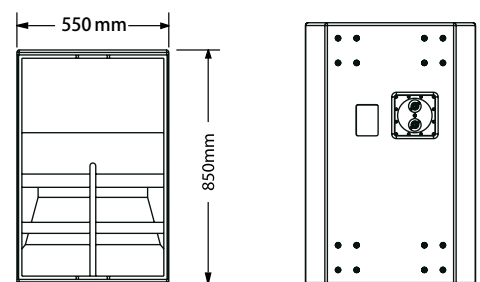
Key Features and Benefits:

- 18" LF driver with 100mm voice coil
- 220mm big magnet system which enables high power handling and reliability, the RMS power is up to 1000W
- ΣH118B is high SPL and high power bass speaker with folded horn which ensures the bass effect in compact cabinet size, 3dB higher than normal bass reflex bass speaker
- High intensity plywood cabinet
- Input and output corresponding design is to avoid the connection error
- Match with Beta Three ΣH215B bass speaker with ΣC2600 processor for high quality sound reproduction



System Specifications:

| | |
|---------------------------|-----------------------|
| Transducers | 1 x 18" LF |
| Frequency Response (-3dB) | 65Hz-200Hz |
| Rated Power | 800W (RMS) |
| Sensitivity (1W @ 1m) | 99dB |
| Average SPL | 131dB |
| Rated Impedance | 8Ω |
| Connector | 4 x NL4 |
| Dimensions (W x H x D) | 550mm x 850mm x 680mm |
| Packaging Dimensions | 660mm x 970mm x 780mm |
| Net Weight | 52.0kg |
| Gross Weight | 58.0kg |



TH SERIES

Theatre Speaker

The Beta Three® Theater Series speakers have been designed and engineered for permanent installation, constructed of premium birch plywood and offer high output with a smooth frequency response in Theater venue applications.

TH115L

TH118L

TH218L

TH215/64/96

TH306H/64/95

TH315/64

Product Description:

The TH is designed for permanent installation within medium to large Theatre venue sound reinforcement system applications, the outstanding mid/high performance ensures clean, clear and natural sound throughout the listening environment, even at high SPL.

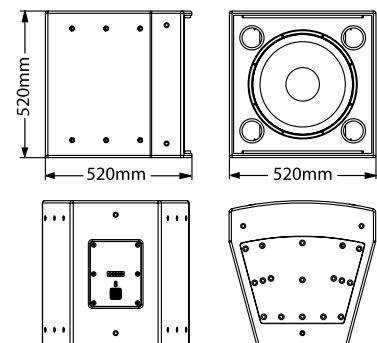
Key Features and Benefits:

- High Sensitivity LF passive speaker
- 1x15" LF transducer
- High strength cabinet structure
- Powder coated grill
- Computer aided design to optimize frequency and phase response
- suitable for use as a main system with TH306/64 or TH306/96
- Durable Polyurethane textured base paint
- suitable for theatre ,television studio, multi-functional room and performance studio



System Specifications:

| | |
|-------------------------------------|-----------------------|
| Construction | laminated wood |
| Transducers | 1 x 15" LF |
| Frequency Response (-3dB) | 40Hz-1kHz |
| Rated Power | 450W (RMS) |
| Sensitivity(1W@1m) | 100dB |
| Maximum SPL | 132dB(MAX) |
| Connector | 2XNL4 |
| Dimensions (W x D x H) | 520mm x 520mm x 520mm |
| Packaging Dimensions (1 piece/pack) | 620mm x 620mm x 620mm |



Product Description:

TH Series is designed for permanent installation within medium to large Theatre venue sound reinforcement system applications, the outstanding mid/high performance ensures clean, clear and natural sound throughout the listening environment, even at high SPL.

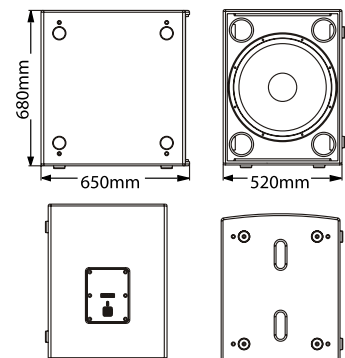
Key Features and Benefits:

- High Sensitivity LF passive speaker
- 1x18" LF transducer
- High strength cabinet structure
- Powder coated grill
- Computer aided design to optimize frequency and phase response
- suitable for use as a main system with TH306/64 or TH306/96
- Durable Polyurethane textured base paint
- suitable for theatre ,television studio, multi-functional room and performance studio



System Specifications:

| | |
|-------------------------------------|-----------------------|
| Construction | laminated wood |
| Transducers | 1 x 18" LF |
| Frequency Response (-3dB) | 45Hz-1kHz |
| Rated Power | 450W (RMS) |
| Sensitivity(1W@1m) | 100dB |
| Maximum SPL | 132dB(MAX) |
| Connector | 2XNL4 |
| Dimensions (W x D x H) | 520mm x 650mm x 680mm |
| Packaging Dimensions (1 piece/pack) | 620mm x 750mm x 780mm |



Product Description:

TH Series is designed for permanent installation within medium to large Theatre venue sound reinforcement system applications, the outstanding mid/high performance ensures clean, clear and natural sound throughout the listening environment, even at high SPL.

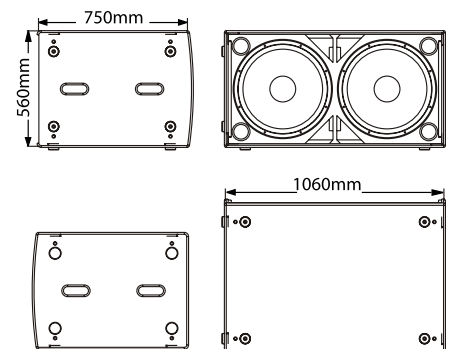
Key Features and Benefits:

- High Sensitivity subwoofer.
- 2x18" high efficient LF driver.
- High strength cabinet structure
- Computer aided design to optimize frequency and phase response.
- Powder coated grill
- Durable Polyurethane textured base paint
- suitable for theatre, large multifunctional hall, auditorium, live performance sound reinforcement.



System Specifications:

| | |
|-------------------------------------|------------------------|
| Construction | laminated wood |
| Transducers | 2 x 18" LF |
| Frequency Response (-3dB) | 36Hz-1kHz |
| Rated Power | 1000W (RMS) |
| Sensitivity(1W@1m) | 104dB |
| Maximum SPL | 140dB(MAX) |
| Connector | 2XNL4 |
| Dimensions (W x D x H) | 1060mm x 750mm x 560mm |
| Packaging Dimensions (1 piece/pack) | 1185mm x 895mm x 685mm |



Product Description:

TH Series is designed for permanent installation within medium to large Theatre venue sound reinforcement system applications, the outstanding mid/high performance ensures clean, clear and natural sound throughout the listening environment, even at high SPL.

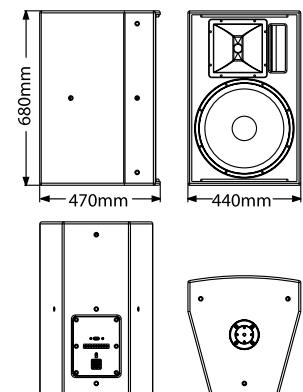
Key Features and Benefits:

- High SPL and High Sensitivity low frequency system
- 1x15" high power subwoofer
- High strength cabinet structure
- suitable for use as a main system with TH306/64 or TH306/93
- Computer aided design to optimize frequency and phase response
- Powder coated grill
- Durable Polyurethane textured base paint
- suitable for theatre ,television studio, multi-functional room and performance studio



System Specifications:

| | |
|-------------------------------------|------------------------------------|
| Construction | laminated wood |
| Transducers | 1x3"HF 1X15"LF |
| Frequency Response (-3dB) | 48Hz-18kHz |
| Rated Power | 400W (RMS) |
| Sensitivity(1W@1m) | 96dB |
| Maximum SPL | 128dB(MAX) |
| Crossover | 1.5 kHz HF/LW |
| Dispersion(H X V) | TH215/64 60°X 40° TH215/96 90°X50° |
| Connector | 2XNL4 |
| Dimensions (W x D x H) | 440mm x 470mm x 680mm |
| Packaging Dimensions (1 piece/pack) | 550mm x 575mm x 690mm |



Product Description:

TH Series is designed for permanent installation within medium to large Theatre venue sound reinforcement system applications, the outstanding mid/high performance ensures clean, clear and natural sound throughout the listening environment, even at high SPL.

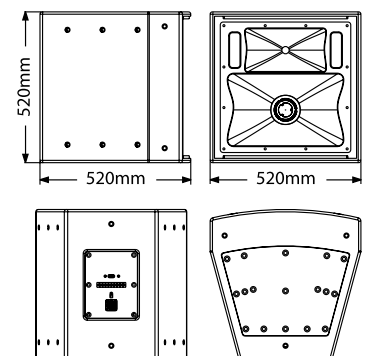
Key Features and Benefits:

- High SPL and High Sensitivity two way mid/high system
- 1x6"MF 1x1.75"HF compressed driver
- High strength cabinet structure
- suitable for use as a main system with TH115L or TH118L
- Computer aided design to optimize frequency and phase response
- Powder coated grill
- Durable Polyurethane textured base paint
- suitable for theatre ,television studio, multi-functional room and performance studio



System Specifications:

| | |
|-------------------------------------|----------------------------------|
| Construction | laminated wood |
| Transducers | 1x1.75"HF 1X6"MF |
| Frequency Response (-3dB) | 45Hz-20kHz |
| Rated Power | 100W (RMS) |
| Sensitivity(1W@1m) | 106dB |
| Maximum SPL | 132dB(MAX) |
| Dispersion(H X V) | TH306H 60°X 40° TH306/95 90°X50° |
| Connector | 2XNL4 |
| Dimensions (W x D x H) | 520mm x 520mm x 520mm |
| Packaging Dimensions (1 piece/pack) | 620mm x 620mm x 620mm |



Product Description:

TH Series is designed for permanent installation within medium to large Theatre venue sound reinforcement system applications, the outstanding mid/high performance ensures clean, clear and natural sound throughout the listening environment, even at high SPL.

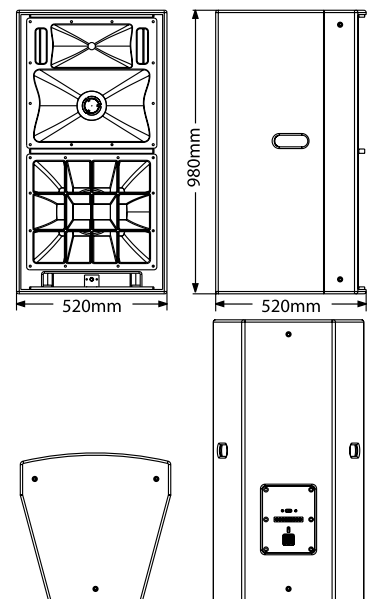
Key Features and Benefits:

- High SPL and High Sensitivity three way full range system
- 1x6"MF 1x1.75"HF compressed driver,1X15"LF
- High strength cabinet structure
- Powder coated grill
- Computer aided design to optimize frequency and phase response
- Durable Polyurethane textured bas paint
- suitable for theatre ,television studio, multi-functional room and performance studio



System Specifications:

| | |
|-------------------------------------|--------------------------|
| Construction | laminated wood |
| Transducers | 1x1.75"HF 1X6"MF 2X15"LF |
| Frequency Response (-3dB) | 45Hz-20kHz |
| Rated Power | 400W (RMS) |
| Sensitivity(1W@1m) | 100dB |
| Maximum SPL | 132dB(MAX) |
| Dispersion(H X V) | 60°X 40° |
| Connector | 2XNL4 |
| Dimensions (W x D x H) | 520mm x 520mm x 980mm |
| Packaging Dimensions (1 piece/pack) | 620mm x 620mm x 1080mm |



COLUMN SERIES

Compact Full Range Column Speaker

The Beta Three® Column Series are constructed of premium birch plywood and these specialty speakers have been created for applications where critical placement and pattern control is required.

T106

T108

T205

T4.4

T4.6

T4.8

MU401

MU404

MU408

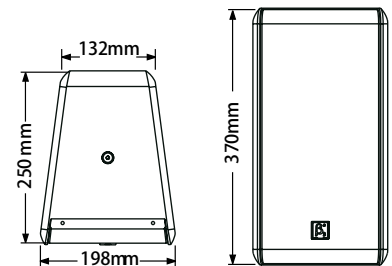
MU448

Product Description:

Installed line array column loudspeakers used in applications including sound reinforcement for Houses of Worship, Events, Theme Parks, Transit Terminals and Shopping Malls etc. The T series delivers extraordinary performance where high speech intelligibility and natural sounding music is required at unmatched value.

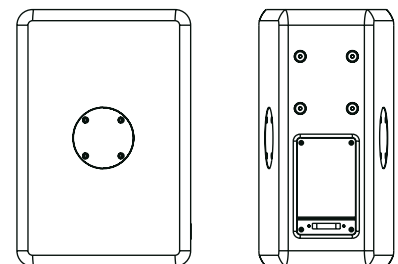
Key Features and Benefits:

- Frequency response 80Hz-16KHz (-3dB)
- Sensitivity 92dB, Max SPL 110dB
- 120 x 120 degree controlled coverage pattern
- Birch plywood construction
- Durable Polyurethane textured base paint
- Quick install U bracket included multiple mounting points provided
- Designed for high speech intelligibility and natural sounding music
- Optional T106 special hanging metalware



System Specifications:

| | |
|-------------------------------|--------------------------------------|
| Construction | 15mm birch plywood |
| Transducers | 1 x 1" HF, 1 x 6" LF |
| Frequency response | 80-16KHz(-3dB) 70-18KHz(-10dB) |
| Rated power | 70W (RMS), 140W(Program) 280W (Peak) |
| Dispersion (H x V) | 120° x 120° |
| Sensitivity (1m / 1W) | 92dB |
| Maximum SPL | 110dB/116dB (peak) |
| Rated impedance | 8ohm |
| Crossover point | 3KHz |
| Hanging points | 8x M8 |
| Connector | 2 x NL4, binding post |
| Dimension (W x H x D) | 198 x 370 x 250mm |
| Package dimension (W x H x D) | 275 x 450 x 325mm |
| Net Weight (1piece/pack) | 6.5kg |
| Gross Weight (1piece/pack) | 7.0kg |

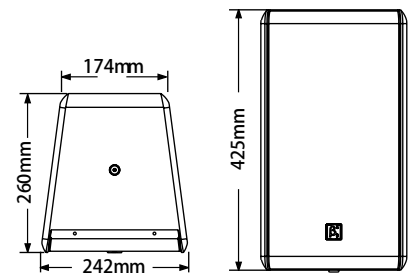


Product Description:

Installed line array column loudspeakers used in applications including sound reinforcement for Houses of Worship, Events, Theme Parks, Transit Terminals and Shopping Malls etc. The T series delivers extraordinary performance where high speech intelligibility and natural sounding music is required at unmatched value.

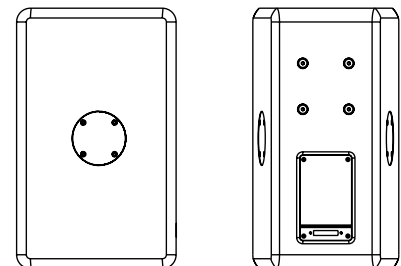
Key Features and Benefits:

- Frequency response 70Hz-17KHz (-3dB)
- Sensitivity 94dB, Max SPL 113dB
- 100 x 100 degree controlled coverage pattern
- Birch plywood construction
- Durable Polyurethane textured base paint
- Quick install U bracket included multiple mounting points provided
- Designed for high speech intelligibility and natural sounding music
- Optional T108 special hanging metalware



System Specifications:

| | |
|-------------------------------|-------------------------------------|
| Construction | 15mm birch plywood |
| Transducers | 1 x 1" HF, 1 x 8" LF |
| Frequency response | 70-17KHz (-3dB) , 60-18KHz(-10dB) |
| Rated power | 80W (RMS),160W(Program) 320W (Peak) |
| Dispersion (H x V) | 100° x 100° |
| Sensitivity (1m / 1W) | 94dB |
| Maximum SPL | 113dB/119dB (peak) |
| Rated impedance | 8ohm |
| Crossover point | 2.5KHz |
| Hanging points | 8x M8 |
| Connector | 2 x NL4, binding post |
| Dimension (W x H x D) | 260 x 425 x 242mm |
| Package dimension (W x H x D) | 335 x 505 x 310mm |
| Net Weight (1piece/pack) | 8.5kg |
| Gross Weight (1piece/pack) | 9.5kg |

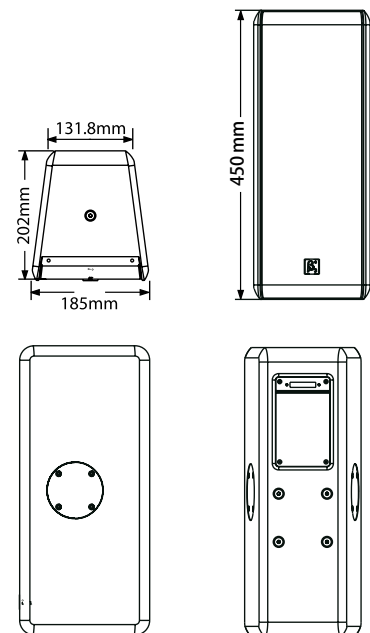


Product Description:

Installed line array column loudspeakers used in applications including sound reinforcement for Houses of Worship, Events, Theme Parks, Transit Terminals and Shopping Malls etc. The T series delivers extraordinary performance where high speech intelligibility and natural sounding music is required at unmatched value.

Key Features and Benefits:

- Frequency response 90Hz-19KHz (-3dB)
- Sensitivity 94dB, Max SPL 111dB
- 90 x 30 degree controlled coverage pattern
- Birch plywood construction
- Durable Polyurethane textured base paint
- Quick install U bracket included multiple mounting points provided
- Designed for high speech intelligibility and natural sounding music
- Optional T205special hanging metalware



System Specifications:

| | |
|-------------------------------|-------------------------------------|
| Construction | 15mm birch plywood |
| Transducers | 1 x 1" HF, 2 x 5" LF |
| Frequency response | 90-19KHz (-3dB), 75-20KHz(-10dB) |
| Rated power | 50W (RMS),100W(Program) 200W (Peak) |
| Dispersion (H x V) | 90°x 30° |
| Sensitivity (1m / 1W) | 94dB |
| Maximum SPL | 111dB/117dB (peak) |
| Rated impedance | 16ohm |
| Crossover point | 3.8KHz |
| Hanging points | 8x M8 |
| Connector | 2 x NL4, binding post |
| Dimension (W x H x D) | 185 x 450 x 202mm |
| Package dimension (W x H x D) | 250 x 530 x 275mm |
| Net Weight (1piece/pack) | 6.5kg |
| Gross Weight (1piece/pack) | 7.5kg |

Product Description:

Installed line array column loudspeakers used in applications including sound reinforcement for Houses of Worship, Events, Theme Parks, Transit Terminals and Shopping Malls etc. The T Series delivers extraordinary performance where high speech intelligibility and natural sounding music is required at unmatched value.

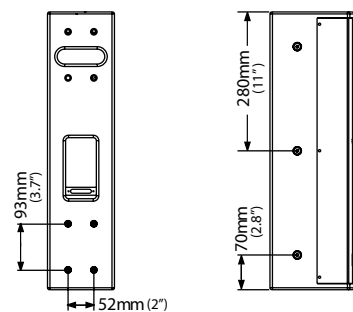
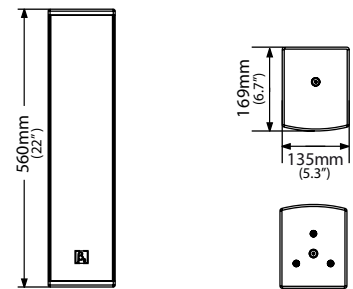
Key Features and Benefits:

- Vertical line array of 4 x 4" full range transducers
- High fidelity sound
- Passive configuration
- 180° x 30° controlled coverage pattern
- Designed for high speech intelligibility and natural sounding music
- Suitable for use as a main system with or without sub speaker augmentation
- Quick install U bracket included with multiple mounting points provided
- Permanent installation (wall, ceiling, under balcony) or Portable system (stand adaptor included)
- Powder coated grill
- Durable Polyurethane textured base paint
- Available in either black or white
- 1 x NL4 conenctor included in packaging
- Optional 100/70V 100W transformer
- Optional mounting hardware
- Patents for central diffuser plate



System Specifications:

| | |
|-------------------------------------|---|
| Construction | 15mm Birch Plywood |
| Transducers | 4 x 4" |
| Frequency Response (-3dB) | 90Hz-16kHz |
| Rated Power | 120W (RMS), 240W (Program), 480W (Peak) |
| Sensitivity (1W @ 1m) | 92dB |
| Maximum SPL | 113dB/119dB (Peak) |
| Rated Impedance | 8Ω |
| Dispersion (H x V) | 180° x 30° |
| Connector | Screw Terminal and 1 x NL4 |
| Dimensions (W x D x H) | 135mm (5.3") x 169mm (6.7") x 560mm (22.1") |
| Packaging Dimensions (1 piece/pack) | 240mm (9.5") x 205mm (8.1") x 660mm (26") |
| Net Weight (1 piece/pack) | 6.5kg (14.3lb) |
| Gross Weight (1 piece/pack) | 7kg (15.4lb) |

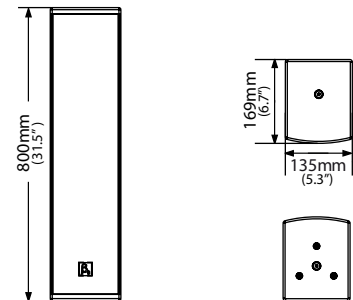
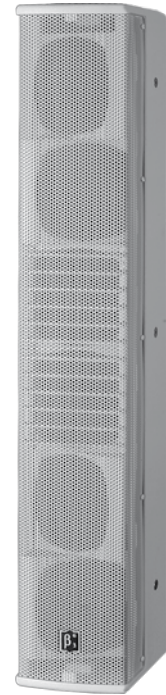


Product Description:

Installed line array column loudspeakers used in applications including sound reinforcement for Houses of Worship, Events, Theme Parks, Transit Terminals and Shopping Malls etc. The T Series delivers extraordinary performance where high speech intelligibility and natural sounding music is required at unmatched value.

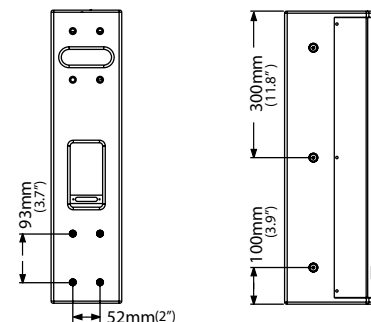
Key Features and Benefits:

- Vertical line array of 6 x 4" full range transducers
- High fidelity sound
- Passive configuration
- 180° x 30° controlled coverage pattern
- Designed for high speech intelligibility and natural sounding music
- Suitable for use as a main system with or without sub speaker augmentation
- Quick install U bracket included with multiple mounting points provided
- Permanent installation (wall, ceiling, under balcony) or Portable system (stand adaptor included)
- Powder coated grill
- Durable Polyurethane textured base paint
- Available in either black or white
- 1 x NL4 connector included in packaging
- Optional 100/70V 100W transformer
- Patents for central diffuser plate



System Specifications:

| | |
|-------------------------------------|---|
| Construction | 15mm Birch Plywood |
| Transducers | 6 x 4" |
| Frequency Response (-3dB) | 90Hz-16kHz |
| Rated Power | 180W (RMS), 360W (Program), 720W (Peak) |
| Sensitivity (1W @ 1m) | 92dB |
| Maximum SPL | 115dB/121dB (Peak) |
| Rated Impedance | 8Ω |
| Dispersion (H x V) | 180° x 25° |
| Connector | Screw Terminal and 1 x NL4 |
| Dimensions (W x D x H) | 135mm (5.3") x 169mm (6.7") x 800mm (31.5") |
| Packaging Dimensions (1 piece/pack) | 240mm (9.5") x 205mm (8.1") x 900mm (35.4") |
| Net Weight (1 piece/pack) | 9kg (19.8lb) |
| Gross Weight (1 piece/pack) | 10kg (22lb) |

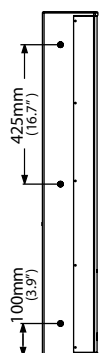
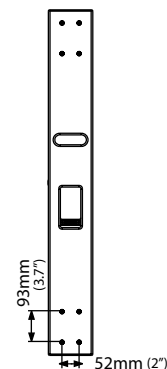
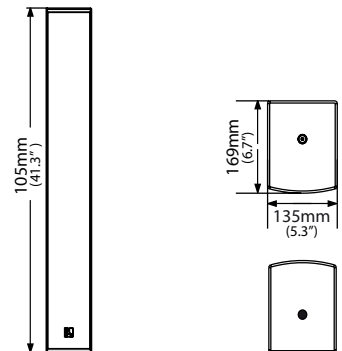


Product Description:

Installed line array column loudspeakers used in applications including sound reinforcement for Houses of Worship, Events, Theme Parks, Transit Terminals and Shopping Malls etc. The T Series delivers extraordinary performance where high speech intelligibility and natural sounding music is required at unmatched value.

Key Features and Benefits:

- Vertical line array of 8 x 4" full range transducers
- High fidelity sound
- Passive configuration
- 180° x 30° controlled coverage pattern
- Designed for high speech intelligibility and natural sounding music
- Suitable for use as a main system with or without sub speaker augmentation
- Quick install U bracket included with multiple mounting points provided
- Permanent installation
- Powder coated grill
- Durable Polyurethane textured base paint
- Available in either black or white
- 1 x NL4 conenctor included in packaging
- Optional 100/70V 100W transformer
- Optional mounting hardware for coupling speakers together
- Stackable where additional long throws are required
- Patents for central diffuser plate



System Specifications:

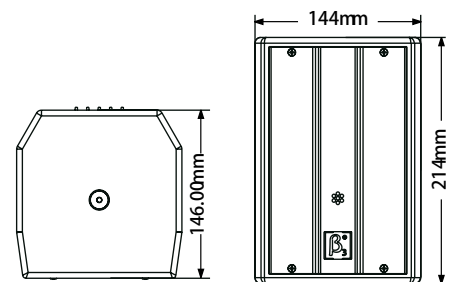
| | |
|-------------------------------------|--|
| Construction | 15mm Birch Plywood |
| Transducers | 8 x 4" |
| Frequency Response (-3dB) | 90Hz-15kHz |
| Rated Power | 240W (RMS), 480W (Program), 960W (Peak) |
| Sensitivity (1W @ 1m) | 92dB |
| Maximum SPL | 116dB/122dB (Peak) |
| Rated Impedance | 4Ω |
| Dispersion (H x V) | 180° x 30° |
| Connector | Screw Terminal and 1 x NL4 |
| Dimensions (W x D x H) | 135mm (5.3") x 169mm (6.7") x 1050mm (41.3") |
| Packaging Dimensions (1 piece/pack) | 240mm (9.5") x 205mm (8.1") x 1150mm (45.3") |
| Net Weight (1 piece/pack) | 12kg (26.4lb) |
| Gross Weight (1 piece/pack) | 13kg (28.6lb) |

Product Description:

Installed line array column loudspeakers used in applications including sound reinforcement for Houses of Worship, Events, Theme Parks, Transit Terminals and Shopping Malls etc. The T series delivers extraordinary performance where high speech intelligibility and natural sounding music is required at unmatched value.

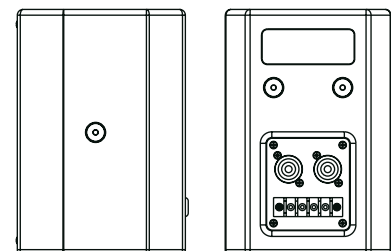
Key Features and Benefits:

- Frequency response (-3dB) 100Hz-20kHz
- Sensitivity 87dB, Maximum SPL 100dB
- Dispersion(H x V) 220° x 150°
- Rated Power 20W(RMS), 80W(Peak)
- Birch Plywood Construction
- Durable Polyurethane textured base paint
- Quick install U bracket included with multiple mounting points provided
- Designed for high speech intelligibility and natural sounding music
- Optional MU401 special hanging metalware



System Specifications:

| | |
|-------------------------------|---------------------------------------|
| Construction | 15mm birch plywood |
| Transducers | 1 x 1" HF, 1 x 4" LF |
| Frequency response | (-3dB)100Hz-20kHz, (-10dB) 90Hz-20kHz |
| Rated Power | 20W(RMS), 80W(Peak) |
| Dispersion(H x V) | 220° x 150° |
| Sensitivity(1W@1m) | 87dB |
| Maximum SPL | 100dB/106dB(Peak) |
| Rated Impedance | 8Ω |
| Crossover | 3.8kHz |
| Hanging points | 6 x M8 |
| Connector | 2 x NL4, screw terminal |
| Dimension (W x H x D) | 144 x 214 x 146mm |
| Package dimension (W x H x D) | 195 x 276 x 195mm |
| Net Weight (1piece/pack) | 3kg |
| Gross Weight (1piece/pack) | 4kg |

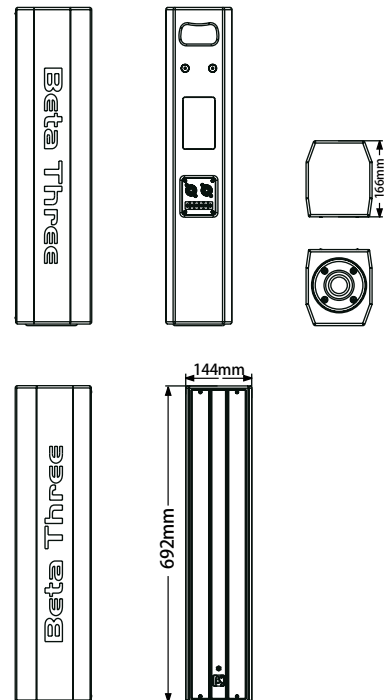


Product Description:

Installed line array column loudspeakers used in applications including sound reinforcement for Houses of Worship, Events, Theme Parks, Transit Terminals and Shopping Malls etc. The T series delivers extraordinary performance where high speech intelligibility and natural sounding music is required at unmatched value.

Key Features and Benefits:

- Vertical line array of 4 x 4" LF driver
- 44mm compression driver loaded with wave guide
- Frequency response 160Hz-20KHz (-3dB)
- Sensitivity 88dB, Max SPL 109dB
- 150 x 150 degree controlled coverage pattern
- Birch plywood construction
- Durable Polyurethane textured base paint
- Quick install U bracket included with multiple mounting points provided
- Designed for high speech intelligibility and natural sounding music
- Optional MU404 special hanging metalware



System Specifications:

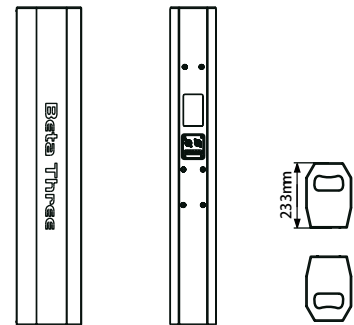
| | |
|-------------------------------|-------------------------|
| Construction | 15mm birch plywood |
| Transducers | 1 x 44mm HF, 4 x 4" LF |
| Frequency response (-3dB) | 160-20KHz |
| Rated power | 120W (RMS), 240W (Peak) |
| Dispersion (H x V) | 150° x 150° |
| Sensitivity (1m / 1W) | 88dB |
| Maximum SPL | 109dB/115dB (peak) |
| Rated impedance | 8ohm |
| Crossover point | 3 KHz |
| Hanging points | 2 x M8 |
| Connector | 2 x NL4, screw terminal |
| Dimension (W x H x D) | 144 x 692 x 166mm |
| Package dimension (W x H x D) | 215 x 772 x 235mm |
| Net Weight (1piece/pack) | 10kg |
| Gross Weight (1piece/pack) | 11kg |

Product Description:

Installed line array column loudspeakers used in applications including sound reinforcement for Houses of Worship, Events, Theme Parks, Transit Terminals and Shopping Malls etc. The T series delivers extraordinary performance where high speech intelligibility and natural sounding music is required at unmatched value.

Key Features and Benefits:

- Vertical line array of 8 x 4" LF driver
- 44mm compression driver loaded with wave guide
- Frequency response 80Hz-18KHz (-3dB)
- Sensitivity 92dB, Max SPL 116dB
- 150 x 30 degree controlled coverage pattern
- Birch plywood construction
- Durable Polyurethane textured base paint
- Quick install U bracket included with multiple mounting points provided
- Designed for high speech intelligibility and natural sounding music
- Optional MU408 special hanging metalware



System Specifications:

| | |
|-------------------------------|-------------------------|
| Construction | 15mm birch plywood |
| Transducers | 1 x 44mm HF, 8 x 4" LF |
| Frequency response (-3dB) | 80-18KHz |
| Rated power | 240W (RMS), 480W (Peak) |
| Dispersion (H x V) | 150° x 30° |
| Sensitivity (1m / 1W) | 94dB |
| Maximum SPL | 116dB/122dB (peak) |
| Rated impedance | 8ohm |
| Crossover point | 2 KHz |
| Hanging points | 6 x M8 |
| Connector | 2 x NL4, screw terminal |
| Dimension (W x H x D) | 164 x 1138 x 233mm |
| Package dimension (W x H x D) | 305 x 1240 x 243mm |
| Net Weight (1piece/pack) | 16.7kg |
| Gross Weight (1piece/pack) | 18.2kg |

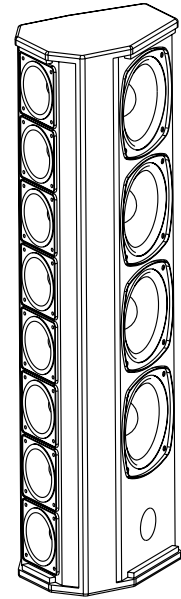


Product Description:

The MU448 is a Middle-size phase inverted column loudspeaker. Specially designed for luxury theatre, medium conference room, multi-function room, church, auditorium, and performance venues.

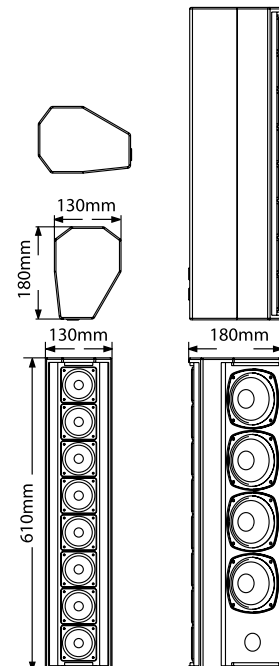
Key Features and Benefits:

- High output SPL and Sensitivity
- 4x4" high power low frequency transducer
- 8x2.75" diaphragm compression driver
- Passive two way crossover
- Computer aided design to optimize frequency and phase response
- Multi purpose cabinet design for FOH
- 2xNL4 connectors
- Heavy duty protective grill
- Durable Polyurethane textured base paint



System Specifications:

| | |
|-------------------------------|------------------------------------|
| Construction | 18mm birch plywood |
| Transducers | 4x4"LF+8X2.75HF |
| Frequency response (-3dB) | 70Hz-13KHz |
| Rated power | 100w(RMS),200W(Program),400W(Peak) |
| Sensitivity (1m / 1W) | 92dB |
| Maximum SPL | 112dB/128dB (peak) |
| Rated impedance | 8Ω |
| Crossover | 200Hz |
| Dimension (W x H x D) | 130x180x610mm |
| Package dimension (W x H x D) | 210x260x650mm |
| Net Weight (1piece/pack) | 9.5kg |
| Gross Weight (1piece/pack) | 10.5kg |



PUBLIC ADDRESS

Public Address System

The Beta Three® Public Address Series speakers have been designed and engineered for easy installation across many types of applications and offer a smooth frequency response.

BW6W

BT8/V

BT10/V

Product Description:

BW series ceiling speaker is specially designed for commercial use with reasonable pricing, it provides comprehensive vocal and music reproduction in wide coverage area which leads the trend for public address industry, Suitable for back ground music and broadcast of shops, restaurant, hotel and office.

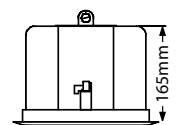
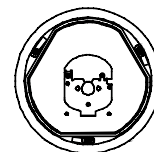
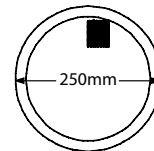
Key Features and Benefits:

- Built-in 6 inch paper cone driver
- Dispersion angle 100 x 100 degree
- Protection circuit to avoid driver damage caused by overload
- Reliable output under 100V working or low impedance amplification
- Smooth frequency response, sound natural and exquisite
- Sensitivity is higher than 84dB, strong bass especially from 50-250Hz
- Fashionable cosmetic design and easy installation
- Can be mounted onto open ceiling or solid ceiling



System Specifications:

| | |
|--------------------|------------------|
| Loudspeaker | 6" |
| RMS Power | 60W |
| Impedance | 8ohm |
| Sensitivity | 88+/-3dB (1m/1W) |
| Frequency Response | 50-250Hz |
| Enclosure Material | ABS |
| Dimensions | 250x165mm |
| New Weight | 3.3kg |



Product Description:

The Beta Three® BT8/V premium ceiling speakers are designed and engineered for quick and easy installation. The BT8/V delivers a wide frequency response and high quality sound reproduction. They look and sound great in wide variety of public address applications.

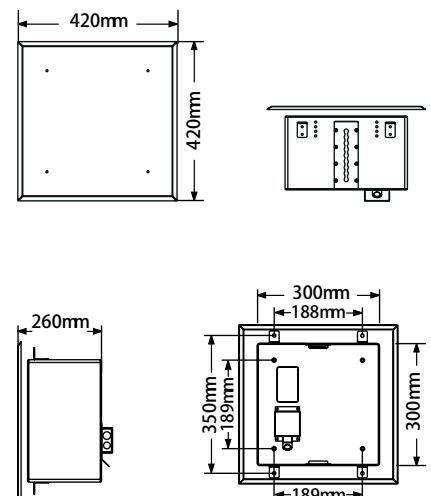
Key Features and Benefits:

- Two way public broadcasting speaker
- One 8" LF driver
- One 3" HF driver
- Computer optimized simulation design
- HF driver locates on the X axis of LF driver, point sound source design
- LF is intelligible, strong and flexible, HF is mild and exquisite
- HF Protected
- Working mode 70V/100V 80hm
- Cabinet is made of high intensity, E1 fireproof MDF
- Multilayer white painting with scratch-resistant and erode-resistant features
- Selected POLYESTER damping materials absorb cabinet standing wave effectively
- Flying configuration adopts scratch-resistant and rusty-resistant aluminum alloy
- Various flying methods are available
- The mounting height at vertical direction is adjustable



System Specifications:

| | |
|------------------------------|--|
| Construction | Passive Wooden Speaker |
| Transducers | 1x3" HF + 1x8" LF |
| Frequency Response | (-3dB)80Hz-15 kHz |
| Power | 80W (RMS) /160W (PROGRAM) /320W (PEAK) |
| Sensitivity (1W@1m) | 95dB |
| Maximum SPL | 114dB/120dB (PEAK) |
| Rated Impedance | 8 Ohms |
| Dispersion (H x V) | 80° x 80° |
| Crossover | 2.5 kHz |
| Connector | Screw Terminal |
| Installation | 4 x M8 Flying point |
| Dimensions (WxHxD) | 420x420x260mm (16.5x16.5x10.2in) |
| Packaging Dimensions (WxHxD) | 480x480x320mm (19.0x19.0x12.6in) |
| New Weight | 8.5 kg |
| Gross Weight | 10.0kg |



Product Description:

The Beta Three® BT10/V premium ceiling speakers are designed and engineered for quick and easy installation. The BT10/V delivers a wide frequency response and high quality sound reproduction. They look and sound great in wide variety of public address applications.

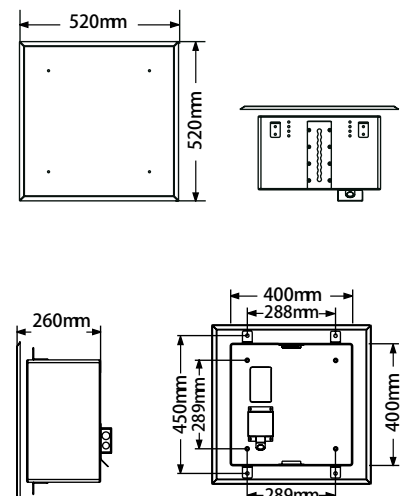
Key Features and Benefits:

- Two way public broadcasting speaker
- One 10" LF driver
- One 3" HF driver
- Computer optimized simulation design
- HF driver locates on the X axis of LF driver, point sound source design
- LF is intelligible, strong and flexible, HF is mild and exquisite
- HF Protected
- Working mode 70V/100V 8Ohm
- Cabinet is made of high intensity, E1 fireproof MDF
- Multilayer white painting with scratch-resistant and erode-resistant features
- Selected POLYESTER damping materials absorb cabinet standing wave effectively
- Flying configuration adopts scratch-resistant and rusty-resistant aluminum alloy
- Various flying methods are available
- The mounting height at vertical direction is adjustable



System Specifications:

| | |
|------------------------------|---|
| Construction | Passive Wooden Speaker |
| Transducers | 1x3" HF + 1x10" LF |
| Frequency Response | (-3dB)65Hz-15 kHz |
| Power | 100W (RMS) /200W (PROGRAM) /400W (PEAK) |
| Sensitivity (1W@1m) | 95dB |
| Maximum SPL | 118dB/124dB (PEAK) |
| Rated Impedance | 8 Ohms |
| Dispersion (H x V) | 80°x 80° |
| Crossover | 3.3 kHz |
| Connector | Screw Terminal |
| Installation | 4 x M8 Flying point |
| Dimensions (WxHxD) | 520x520x260mm (20.5x20.5x10.2in) |
| Packaging Dimensions (WxHxD) | 550x550x320mm (21.7x21.7x12.6in) |
| New Weight | 17.6kg |
| Gross Weight | 19.4kg |





Beta Three

98

COMMERCIAL AUDIO

Commercial Audio System

The Beta Three® CS Series integrated AV system features a wide coverage pattern and excellent frequency response to meet the needs of the most demanding business environment.

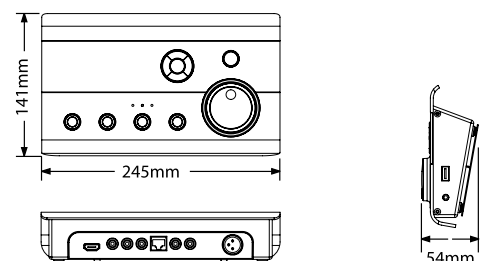
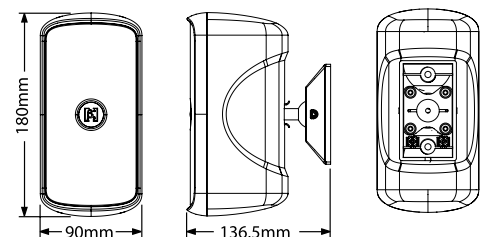
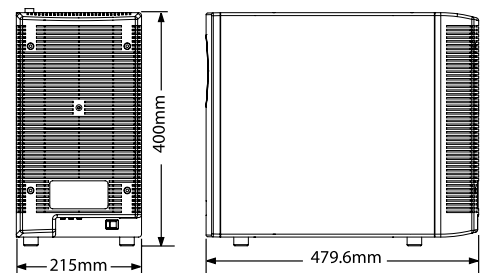
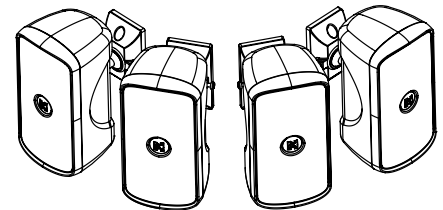
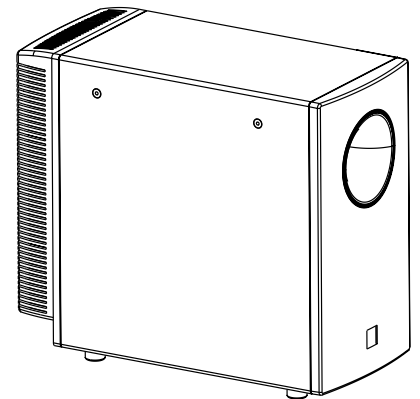
CS-1

Product Description:

CS-1 integrated AV system is a high-performance, full range loudspeaker system designed for small to medium sized venues requiring high fidelity sound, with extended bandwidth for reproduction of voice, music and video audio. The system has been carefully designed to be stylish, simple to use and flexible to fit most venues. The CS-1 consists of one subwoofer with a built-in amplifier, four satellites speakers, one AV controller and all cabling and brackets for quick installation. The Beta Three CS-1 is a complete solution in one box.

Key Features and Benefits:

- Innovative AV controller
- Simple operation with excellent quality performance
- Elegant compact modular design
- Multiple systems easily linked together
- High definition video display function
- Onboard 4GB memory to store music/video
- Easily installed system in a box



System Specifications:

Subwoofer

| | |
|---------------------------|------------------------|
| Construction | ABS and MDF |
| Transducers | 1 x 6.5" LF |
| Frequency Response (-3dB) | 35Hz-200Hz |
| Rated Power | 100W (RMS) |
| Rated Impedance | 4Ω |
| Dimensions (W x D x H) | 215mmx 479.6mm x 400mm |

Satellite

| | |
|---------------------------|-----------------------|
| Construction | ABS and Metal Grill |
| Transducers | 2 x 2.75" Mid-high |
| Frequency Response (-3dB) | 200Hz-17kHz |
| Rated Power | 30W (RMS) |
| Rated Impedance | 8Ω |
| Dimensions (W x D x H) | 90mmx 136.5mm x 180mm |

| | |
|----------------------------------|------|
| Net System Weight (1 piece/pack) | 25kg |
|----------------------------------|------|

db SERIES

Weatherproof High SPL Sound Engine

The Beta Three® db Series speakers have been designed for use in search rescue, patrol, police crowd control or evacuation, traffic and entrance control checkpoints, etc. Its long-throw, high SPL, strong voice broadcasting, low power consumption, high definition, safe and easy operation system needs to be your first choice.

db6100

db1100-mp3

Product Description:

db100-MP3 is a portable powered high SPL speaker with volume controls, power supply and MP3 player located on real panel.

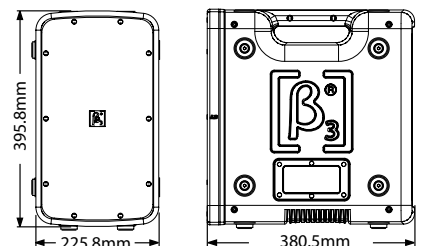
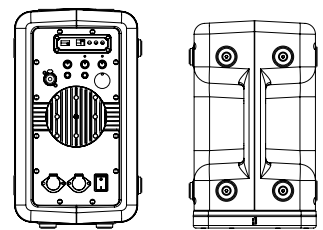
Key Features and Benefits:

- Built in 70W @ 8ohm amplifier
- Reach a peak of 141dB/1m for warning
- Built-in two internal lithium batteries (7800mA/12V) provides at least 6 hours of continuous broadcast time.
- The on-board battery charger satisfies quickly battery charging.
- Water and dust resistance for outdoor use (IP45)
- Achieving 85% speech intelligibility at 1000 meters
- Heavy duty plastic enclosure
- Design for use in search rescue, patrol, police crowd control, arm force, school, etc



System Specifications:

| | |
|---|-------------------------|
| Frequency response (-10dB) | 300Hz-5 KHz |
| Max SPL | 100dB(PEAK,100m) |
| Dispersion (HxV) | 80 x 50 degree |
| Microphone transmission gain (+/-3dB) | 80dB |
| Vocal transmission parameter(SPI-PA) ≥1000m | 0.6 |
| Syllable definition≥1000m | 0.6 |
| Speech intelligibility≥1000m | 85% |
| Power consumption current(rated)≥1000m | 8100mA |
| Dimensions (W x D x H) | 225.8mm×380.5mm×395.8mm |
| Net Weight | 20.0kg |



Product Description:

consists of six db100 active speakers and one db100C controller used in application where long throw over large area is required including use on vehicle. db100 is an active speaker with a built-in 70W@8ohm amplifier, water and dust resistance for outdoor use (IP45). db100C is used to adjust db100 active speaker volume and MP3 player wired Microphone, wireless Microphone signal choice. When extra high SPL is required, pressing the emergency button, the sound pressure level will be increased by 30dB.

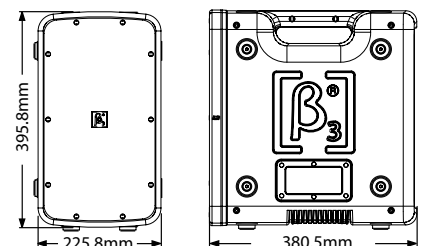
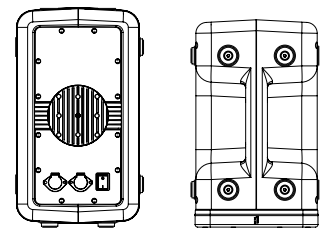
Key Features and Benefits:

- Combining six db100 speakers creates a point-source system for long-throw applications
- Convention cooled for heat radiation
- 12V external power supply when fixed with specific power adapter
- Power consumption (static) 2200mA
- Power consumption (rated) 48A
- Achieving 85% speech intelligibility at 1000 meters
- Heavy duty plastic enclosure
- Design for use in search rescue, patrol, police crowd control, arm force, school, etc



System Specifications:

| | |
|---|--|
| Frequency response (-10dB) | 250Hz-5 KHz |
| Max SPL | 125dB(PEAK,100m) |
| Dispersion (HxV) | 50 x 50 degree |
| Microphone transmission gain (+/-3dB) | 110dB(inside vehicle), 75dB(outside vehicle) |
| Vocal transmission parameter(SPI-PA) ≥1000m | 0.7 |
| Syllable definition≥1000m | 0.7 |
| Speech intelligibility≥1000m | 85% |
| Power consumption current(rated)≥1000m | 48A |
| Dimensions (W x D x H) | 225.8mm×380.5mm×395.8mm |
| Net Weight | 16.0kg |



AMPLIFIERS

Professional Amplifier Series

The Beta Three® DA Series 1.5U 4 channel digital amplifiers have been engineered for reliability where full power is required for extended times in fixed installations or portable applications.

The Beta Three® B Series 2U professional amplifiers have been engineered for reliability where full power is required for extended times in fixed installations or portable applications.

The Beta Three® UA Series 2U professional amplifiers have been engineered for reliability where full power is required for extended times in fixed installations or portable applications.

DA16M

B10

B20

B20i

UA330

UA660

UA1330

UA332

UA662

UA1332

UA2002

UA2500

Product Description:

Beta Three® DA16M is high speed programmable network audio processor, adopt popular CobraNet technology. Processor module introduced high speed Double 32-bit processor. Excellent for various audio solution applications. Delivers extraordinary performance at unmatched value.



Key Features and Benefits:

- Built-in DSP
- Delay/ limiter / EQ / High and Low pass Filter / pink and white noise generator/ Gain / Reverberation etc.
- 16xinput + 16xoutput CobraNet network audio transmission channel.
- 48kHz sampling frequency, 24bit precision
- 32 x 32 Digital Processing Matrix
- 2 x100Mbps Ethernet ports for CobraNet transmission and Internet control
- 1xRS232 Serial Port for program refresh
- 1xRS485 Serial Port for audio visual Integrated Control
- Remote control by Ethernet
- 8 groups of GPIO control port
- 24 hours continuous working
- 1U rack height

System Specifications:

| | |
|--------------------|-------------------------------|
| Frequency Response | 20Hz-20kHz@±0.1dB |
| THD | < 0.02%@+4dBu, 22Hz-30kHz,BPF |
| S/N Ratio | >70dB,20Hz-20kHz |
| Dynamic Range | 115dB |
| Sampling frequency | 48kHz |
| Input Impedance | 2k Ohms,MIC>10k Ohms,Line |
| Input Sensitivity | -60dBu,MIC-35dBu,Line |
| Phantom power | 48V DC |
| Output Impedance | <200 Ohms |
| Output level | +4dBu(MAX:+24dBu) |
| Serial Port | 1xDB9,RS232/485 1xDB9,RS232 |
| Ethernet TCP/IP | 2xRJ45 |

Product Description:

The Beta Three® B Series professional amplifiers is new designed high-performance professional power amplifiers with low distortion high damping factor and smooth sound



Key Features and Benefits:

- Housed in a rugged, all-steel 2U chassis
- Unique radiator structure for efficient cooling.
- Designed for efficient with circuit protection to avoid the damage caused by the mistake operation.
- Power input overvoltage, undervoltage, anti-surge protection and switching impact protection.
- To avoid abnormal and failure of the PA system to cause damage to the speaker by DC output protection and high-frequency sustained energy limit
- Over temperature protection automatically

System Specifications:

| | |
|---------------------------------|--------------------------------|
| Rated Power (Stereo 8Ω) | 1300W×2(2000W/CH,2200W×2/40ms) |
| Rated Power (Stereo 4Ω) | 2200W/CH,3600W×2/40ms |
| Rated Power (Bridge 8Ω) | 3900W/40ms |
| Frequency Response | <±0.25dB 20Hz-20kHz |
| Peak Output Voltage | 153V |
| Maximum RMS Output Voltage | 108V |
| Input Sensitivity(32dB/x40, 8Ω) | 2.7V RMS |
| Max Gain(0.775V) | 43dB |
| THD (@1kHz) | <0.025% |
| IMD(@60Hz/7kHz 4:1) | <0.075% |
| Phase Response(@20Hz-20kHz) | <+15° |
| SNR(@1kHz, x40/32dB, A) | >110dB |
| Damping Factor(100Hz) | >500 |
| Conversion Rate | >20V/μs |
| Input Impedance | >20kΩ |
| Separating Degree(1kHz) | >75dB |
| Average Current Consumption | 6.0A |
| Maximum Current Consumption | 13.0A |
| Dimensions (W x D x H) | 483mm x 452mm x 88mm |
| Gross Weight | 14.0kg |

Product Description:

The Beta Three® B Series professional amplifiers is new designed high-performance professional power amplifiers with low distortion high damping factor and smooth sound



Key Features and Benefits:

- Housed in a rugged, all-steel 2U chassis
- Unique radiator structure for efficient cooling.
- Designed for efficient with circuit protection to avoid the damage caused by the mistake operation.
- Power input overvoltage, undervoltage, anti-surge protection and switching impact protection.
- To avoid abnormal and failure of the PA system to cause damage to the speaker by DC output protection and high-frequency sustained energy limit
- Over temperature protection automatically

System Specifications:

| | |
|---------------------------------|--------------------------------|
| Rated Power (Stereo 8Ω) | 1800W×2(2000W/CH,2200W×2/40ms) |
| Rated Power (Stereo 4Ω) | 3300W/CH,3600W×2/40ms |
| Rated Power (Bridge 8Ω) | 5800W/40ms |
| Frequency Response | <±0.25dB 20Hz-20kHz |
| Peak Output Voltage | 188V |
| Maximum RMS Output Voltage | 126V |
| Input Sensitivity(32dB/x40, 8Ω) | 3.15V RMS |
| Max Gain(0.775V) | 44.4dB |
| THD (@1kHz) | <0.025% |
| IMD(@60Hz/7kHz 4:1) | <0.075% |
| Phase Response(@20Hz-20kHz) | <+15° |
| SNR(@1kHz, x40/32dB, A) | >110dB |
| Damping Factor(100Hz) | >500 |
| Conversion Rate | >20V/μs |
| Input Impedance | >20kΩ |
| Separating Degree(1kHz) | >75dB |
| Average Current Consumption | 8.5A |
| Maximum Current Consumption | 19.0A |
| Dimensions (W x D x H) | 483mm x 452mm x 88mm |
| Gross Weight | 14.0kg |

Product Description:

The Beta Three® B Series professional amplifiers is new designed high-performance professional power amplifiers with low distortion high damping factor and smooth sound



Key Features and Benefits:

- Housed in a rugged, all-steel 2U chassis
- Built-in DSP design, LCD display
- 96kHz sampling frequency
- Input 120dB dynamic range
- output 117dB dynamic range
- 10 band parametric equalizer for each channel
- Max 5ms delay
- Max 180° phase adjustment
- Butterworth, Bessel, Linkwitz-Riley, filter 24dB/oct
- Built in switchable limiter
- 100 pre-set called at any time
- Available to connect with PC by USB or Ethernet port

System Specifications:

| | |
|---------------------------------|--------------------------------|
| Rated Power (Stereo 8Ω) | 1800W×2(2000W/CH,2200W×2/40ms) |
| Rated Power (Stereo 4Ω) | 3300W/CH,3600W×2/40ms |
| Rated Power (Bridge 8Ω) | 5800W/40ms |
| Frequency Response | <±0.25dB 20Hz-20kHz |
| Peak Output Voltage | 188V |
| Maximum RMS Output Voltage | 126V |
| Input Sensitivity(32dB/x40, 8Ω) | 3.15V RMS |
| Max Gain(0.775V) | 44.4dB |
| THD (@1kHz) | <0.025% |
| IMD(@60Hz/7kHz 4:1) | <0.075% |
| Phase Response(@20Hz-20kHz) | <+15° |
| SNR(@1kHz, x40/32dB, A) | >110dB |
| Damping Factor(100Hz) | >500 |
| Conversion Rate | >20V/μs |
| Input Impedance | >20kΩ |
| Separating Degree(1kHz) | >75dB |
| Average Current Consumption | 8.5A |
| Maximum Current Consumption | 19.0A |
| Dimensions (W x D x H) | 483mm x 452mm x 88mm |
| Gross Weight | 14.0kg |

Product Description:

The UA Series 2U professional amplifiers have been engineered for reliability where full power is required for extended times in fixed installations or portable applications. The UA Series delivers extraordinary performance at unmatched value.

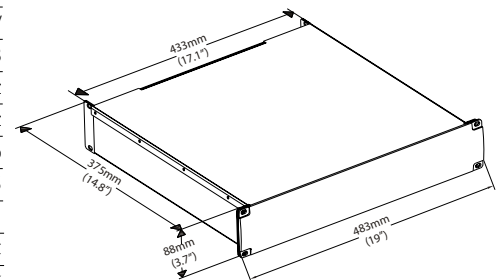
Key Features and Benefits:

- Housed in a rugged, all-steel 2U chassis
- Rear panel selection switch for Stereo, Parallel and Bridged modes, including Low-cut filter, Ground lift and Limiter switches
- Operates within 8Ω and 4Ω loads
- Innovative heatsink with front to back air flow for efficient cooling
- Variable fan speed is automatically adjusted by temperature
- Electronically balanced XLR inputs
- Touch proof binding post and Speakon outputs
- Precision indented level controls, power switch,
- Protect, Peak and Signal LEDs indicators for each channel
- Amplifier protection includes short circuit, excessive temperature, and DC on outputs



System Specifications:

| | |
|-------------------------------------|--|
| Rated Power (Stereo 8Ω) | 2 x 330W |
| Rated Power (Stereo 4Ω) | 2 x 500W |
| Rated Power (Bridge 16Ω) | 660W |
| Rated Power (Bridge 8Ω) | 1000W |
| Rated Power (Parallel mono 8Ω) | 350W |
| Rated Power (Parallel mono 4Ω) | 600W |
| Input Sensitivity | 1V |
| S/N Ratio (A Weight) | >108dB |
| Frequency Response (+0/-0.25dB) | 20Hz-20kHz |
| Damping Factor | >800 @ 8ohm/100Hz |
| THD (10% Rated Power) | <0.05% |
| Input Connector | 2 x XLR, 2 x 6.5mm TRS |
| Input Impedance | 20kΩ Balanced, 10kΩ Unbalanced |
| Output Connectors | 2 x NL4 + 4 x Binding post |
| Cooling | 4 x fans, airflow from front to back |
| Power Supply | 220V-230V 50/60Hz, 500VA |
| Dimensions (W x D x H) | 483mm (19") x 375mm (14.8") x 88mm (3.5") |
| Packaging Dimensions (1 piece/pack) | 550mm (21.7") x 540mm (21.3") x 175mm (6.9") |
| Net Weight (1 piece/pack) | 15kg (33.1lb) |
| Gross Weight (1 piece/pack) | 17kg (37.5lb) |



Product Description:

The UA Series 2U professional amplifiers have been engineered for reliability where full power is required for extended times in fixed installations or portable applications. The UA Series delivers extraordinary performance at unmatched value.

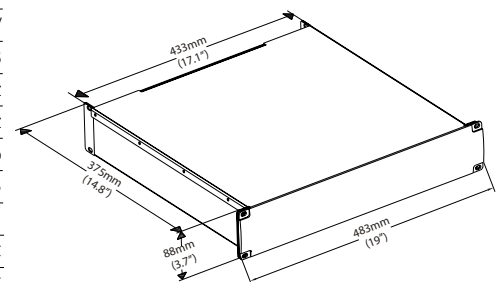
Key Features and Benefits:

- Housed in a rugged, all-steel 2U chassis
- Rear panel selection switch for Stereo, Parallel and Bridged modes, including Low-cut filter, Ground lift and Limiter switches
- Operates within 8Ω and 4Ω loads
- Innovative heatsink with front to back air flow for efficient cooling
- Variable fan speed is automatically adjusted by temperature
- Electronically balanced XLR inputs
- Touch proof binding post and Speakon outputs
- Precision indented level controls, power switch,
- Protect, Peak and Signal LEDs indicators for each channel
- Amplifier protection includes short circuit, excessive temperature, and DC on outputs



System Specifications:

| | |
|-------------------------------------|--|
| Rated Power (Stereo 8Ω) | 2 x 330W |
| Rated Power (Stereo 4Ω) | 2 x 500W |
| Rated Power (Bridge 16Ω) | 660W |
| Rated Power (Bridge 8Ω) | 1000W |
| Rated Power (Parallel mono 8Ω) | 350W |
| Rated Power (Parallel mono 4Ω) | 500W |
| Input Sensitivity | 1V |
| S/N Ratio (A Weight) | >108dB |
| Frequency Response (+0/-0.25dB) | 20Hz-20kHz |
| Damping Factor | >800 @ 8ohm/100Hz |
| THD (10% Rated Power) | <0.05% |
| Input Connector | 2 x XLR, 2 x 6.5mm TRS |
| Input Impedance | 20kΩ Balanced, 10kΩ Unbalanced |
| Output Connectors | 2 x NL4 + 4 x Binding post |
| Cooling | 4 x fans, airflow from front to back |
| Power Supply | 220V-230V 50/60Hz, 500VA |
| Dimensions (W x D x H) | 483mm (19") x 375mm (14.8") x 88mm (3.5") |
| Packaging Dimensions (1 piece/pack) | 550mm (21.7") x 540mm (21.3") x 175mm (6.9") |
| Net Weight (1 piece/pack) | 15kg (33.1lb) |
| Gross Weight (1 piece/pack) | 17kg (37.5lb) |



Product Description:

The UA Series 2U professional amplifiers have been engineered for reliability where full power is required for extended times in fixed installations or portable applications. The UA Series delivers extraordinary performance at unmatched value.

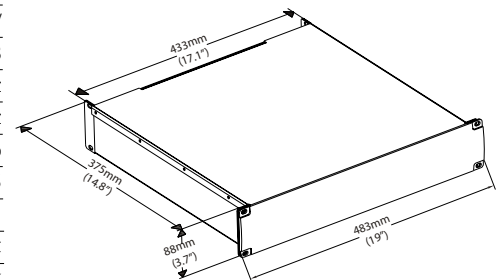
Key Features and Benefits:

- Housed in a rugged, all-steel 2U chassis
- Rear panel selection switch for Stereo, Parallel and Bridged modes, including Low-cut filter, Ground lift and Limiter switches
- Operates within 8Ω and 4Ω loads
- Innovative heatsink with front to back air flow for efficient cooling
- Variable fan speed is automatically adjusted by temperature
- Electronically balanced XLR inputs
- Touch proof binding post and Speakon outputs
- Precision indented level controls, power switch,
- Protect, Peak and Signal LEDs indicators for each channel
- Amplifier protection includes short circuit, excessive temperature, and DC on outputs



System Specifications:

| | |
|-------------------------------------|--|
| Rated Power (Stereo 8Ω) | 2 x 660W |
| Rated Power (Stereo 4Ω) | 2 x 1000W |
| Rated Power (Bridge 16Ω) | 1330W |
| Rated Power (Bridge 8Ω) | 2000W |
| Rated Power (Parallel mono 8Ω) | 660W |
| Rated Power (Parallel mono 4Ω) | 1000W |
| Input Sensitivity | 1V |
| S/N Ratio (A Weight) | >108dB |
| Frequency Response (+0/-0.25dB) | 20Hz-20kHz |
| Damping Factor | >800 @ 8ohm/100Hz |
| THD (10% Rated Power) | <0.05% |
| Input Connector | 2 x XLR, 2 x 6.5mm TRS |
| Input Impedance | 20kΩ Balanced, 10kΩ Unbalanced |
| Output Connectors | 2 x NL4 + 4 x Binding post |
| Cooling | 4 x fans, airflow from front to back |
| Power Supply | 220V-230V 50/60Hz, 1000VA |
| Dimensions (W x D x H) | 483mm (19") x 375mm (14.8") x 88mm (3.5") |
| Packaging Dimensions (1 piece/pack) | 550mm (21.7") x 540mm (21.3") x 175mm (6.9") |
| Net Weight (1 piece/pack) | 18kg (39.7lb) |
| Gross Weight (1 piece/pack) | 20kg (44.1lb) |



Product Description:

The UA Series 2U professional amplifiers have been engineered for reliability where full power is required for extended times in fixed installations or portable applications. The UA Series delivers extraordinary performance at unmatched value.

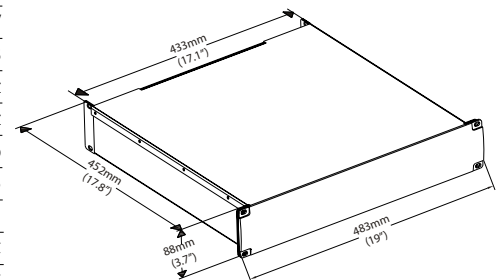


Key Features and Benefits:

- Housed in a rugged, all-steel 2U chassis
- Rear panel selection switch for Stereo, Parallel and Bridged modes, including Low-cut filter, Ground lift and Limiter switches
- Operates within 8Ω and 4Ω loads
- Innovative heatsink with front to back air flow for efficient cooling
- Variable fan speed is automatically adjusted by temperature
- Electronically balanced XLR inputs
- Touch proof binding post and Speakon outputs
- Precision indented level controls, power switch,
- Protect, Peak and Signal LEDs indicators for each channel
- Amplifier protection includes short circuit, excessive temperature, and DC on outputs

System Specifications:

| | |
|-------------------------------------|--|
| Rated Power (Stereo 8Ω) | 2 x 1000W |
| Rated Power (Stereo 4Ω) | 2 x 1600W |
| Rated Power (Bridge 16Ω) | 2000W |
| Rated Power (Bridge 8Ω) | 3200W |
| Rated Power (Parallel mono 8Ω) | 1000W |
| Rated Power (Parallel mono 4Ω) | 1600W |
| Input Sensitivity | 1V |
| S/N Ratio (A Weight) | >108dB |
| Frequency Response (+0/-0.25dB) | 20Hz-20kHz |
| Damping Factor | >800 @ 8ohm/100Hz |
| THD (10% Rated Power) | <0.05% |
| Input Connector | 2 x XLR, 2 x 6.5mm TRS |
| Input Impedance | 20kΩ Balanced, 10kΩ Unbalanced |
| Output Connectors | 2 x NL4 + 4 x Binding post |
| Cooling | 4 x fans, airflow from front to back |
| Power Supply | 220V-230V 50/60Hz, 1500VA |
| Dimensions (W x D x H) | 483mm (19") x 452mm (17.8") x 88mm (3.5") |
| Packaging Dimensions (1 piece/pack) | 550mm (21.7") x 540mm (21.3") x 175mm (6.9") |
| Net Weight (1 piece/pack) | 30kg (66.1lb) |
| Gross Weight (1 piece/pack) | 32kg (70.5lb) |



Product Description:

The UA Series 2U professional amplifiers have been engineered for reliability where full power is required for extended times in fixed installations or portable applications. The UA Series delivers extraordinary performance at unmatched value.

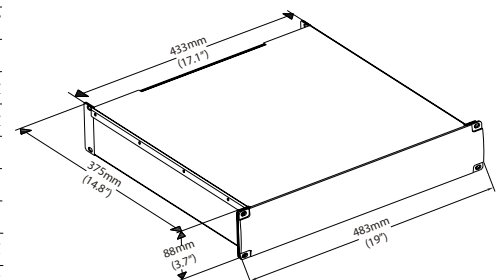
Key Features and Benefits:

- Housed in a rugged, all-steel 2U chassis
- Rear panel selection switch for Stereo, Parallel and Bridged modes, including Low-cut filter, Ground lift and Limiter switches
- Operates within 4Ω and 2Ω loads
- Innovative heatsink with front to back air flow for efficient cooling
- Variable fan speed is automatically adjusted by temperature
- Electronically balanced XLR inputs
- Touch proof binding post and Speakon outputs
- Precision indented level controls, power switch,
- Protect, Peak and Signal LEDs indicators for each channel
- Amplifier protection includes short circuit, excessive temperature, and DC on outputs



System Specifications:

| | |
|-------------------------------------|--|
| Rated Power (Stereo 4Ω) | 2 x 330W |
| Rated Power (Stereo 2Ω) | 2 x 500W |
| Rated Power (Bridge 8Ω) | 660W |
| Rated Power (Bridge 4Ω) | 1000W |
| Rated Power (Parallel mono 4Ω) | 350W |
| Rated Power (Parallel mono 2Ω) | 660W |
| Input Sensitivity | 1V |
| S/N Ratio (A Weight) | >108dB |
| Frequency Response (+0/-0.25dB) | 20Hz-20kHz |
| Damping Factor | >800 @ 8ohm/100Hz |
| THD (10% Rated Power) | <0.05% |
| Input Connector | 2 x XLR, 2 x 6.5mm TRS |
| Input Impedance | 20kΩ Balanced, 10kΩ Unbalanced |
| Output Connectors | 2 x NL4 + 4 x Binding post |
| Cooling | 4 x fans, airflow from front to back |
| Power Supply | 220V-230V 50/60Hz, 500VA |
| Dimensions (W x D x H) | 483mm (19") x 375mm (14.8") x 88mm (3.5") |
| Packaging Dimensions (1 piece/pack) | 550mm (21.7") x 540mm (21.3") x 175mm (6.9") |
| Net Weight (1 piece/pack) | 12.5kg (27.6lb) |
| Gross Weight (1 piece/pack) | 14.5kg (32lb) |



Product Description:

The UA Series 2U professional amplifiers have been engineered for reliability where full power is required for extended times in fixed installations or portable applications. The UA Series delivers extraordinary performance at unmatched value.

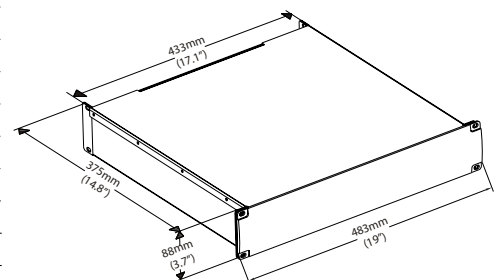
Key Features and Benefits:

- Housed in a rugged, all-steel 2U chassis
- Rear panel selection switch for Stereo, Parallel and Bridged modes, including Low-cut filter, Ground lift and Limiter switches
- Operates within 4Ω and 2Ω loads
- Innovative heatsink with front to back air flow for efficient cooling
- Variable fan speed is automatically adjusted by temperature
- Electronically balanced XLR inputs
- Touch proof binding post and Speakon outputs
- Precision indented level controls, power switch,
- Protect, Peak and Signal LEDs indicators for each channel
- Amplifier protection includes short circuit, excessive temperature, and DC on outputs



System Specifications:

| | |
|-------------------------------------|--|
| Rated Power (Stereo 4Ω) | 2 x 330W |
| Rated Power (Stereo 2Ω) | 2 x 500W |
| Rated Power (Bridge 8Ω) | 660W |
| Rated Power (Bridge 4Ω) | 1000W |
| Rated Power (Parallel mono 4Ω) | 350W |
| Rated Power (Parallel mono 2Ω) | 500W |
| Input Sensitivity | 1V |
| S/N Ratio (A Weight) | >108dB |
| Frequency Response (+0/-0.25dB) | 20Hz-20kHz |
| Damping Factor | >800 @ 8ohm/100Hz |
| THD (10% Rated Power) | <0.05% |
| Input Connector | 2 x XLR, 2 x 6.5mm TRS |
| Input Impedance | 20kΩ Balanced, 10kΩ Unbalanced |
| Output Connectors | 2 x NL4 + 4 x Binding post |
| Cooling | 4 x fans, airflow from front to back |
| Power Supply | 220V-230V 50/60Hz, 500VA |
| Dimensions (W x D x H) | 483mm (19") x 375mm (14.8") x 88mm (3.5") |
| Packaging Dimensions (1 piece/pack) | 550mm (21.7") x 540mm (21.3") x 175mm (6.9") |
| Net Weight (1 piece/pack) | 12.5kg (27.6lb) |
| Gross Weight (1 piece/pack) | 14.5kg (32lb) |



Product Description:

The UA Series 2U professional amplifiers have been engineered for reliability where full power is required for extended times in fixed installations or portable applications. The UA Series delivers extraordinary performance at unmatched value.

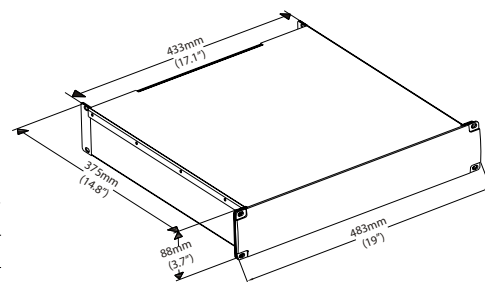
Key Features and Benefits:

- Housed in a rugged, all-steel 2U chassis
- Rear panel selection switch for Stereo, Parallel and Bridged modes, including Low-cut filter, Ground lift and Limiter switches
- Operates within 4Ω and 2Ω loads
- Innovative heatsink with front to back air flow for efficient cooling
- Variable fan speed is automatically adjusted by temperature
- Electronically balanced XLR inputs
- Touch proof binding post and Speakon outputs
- Precision indented level controls, power switch
- Protect, Peak and Signal LEDs indicators for each channel
- Amplifier protection includes short circuit, excessive temperature, and DC on outputs



System Specifications:

| | |
|-------------------------------------|--|
| Rated Power (Stereo 4Ω) | 2 x 660W |
| Rated Power (Stereo 2Ω) | 2 x 1000W |
| Rated Power (Bridge 8Ω) | 1300W |
| Rated Power (Bridge 4Ω) | 2000W |
| Rated Power (Parallel mono 4Ω) | 660W |
| Rated Power (Parallel mono 2Ω) | 1000W |
| Input Sensitivity | 1V |
| S/N Ratio (A Weight) | >108dB |
| Frequency Response (+0/-0.25dB) | 20Hz-20kHz |
| Damping Factor | >800 @ 8ohm/100Hz |
| THD (10% Rated Power) | <0.05% |
| Input Connector | 2 x XLR, 2 x 6.5mm TRS |
| Input Impedance | 20kΩ Balanced, 10kΩ Unbalanced |
| Output Connectors | 2 x NL4 + 4 x Binding post |
| Cooling | 4 x fans, airflow from front to back |
| Power Supply | 220V-230V 50/60Hz, 1000VA |
| Dimensions (W x D x H) | 483mm (19") x 375mm (14.8") x 88mm (3.5") |
| Packaging Dimensions (1 piece/pack) | 550mm (21.7") x 540mm (21.3") x 175mm (6.9") |
| Net Weight (1 piece/pack) | 15kg (33.1lb) |
| Gross Weight (1 piece/pack) | 17kg (37.5lb) |



Product Description:

The UA Series 2U professional amplifiers have been engineered for reliability where full power is required for extended times in fixed installations or portable applications. The UA Series delivers extraordinary performance at unmatched value.

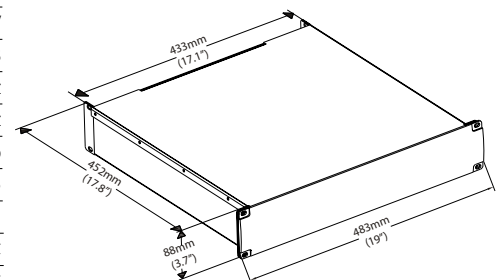
Key Features and Benefits:

- Housed in a rugged, all-steel 2U chassis
- Rear panel selection switch for Stereo, Parallel and Bridged modes, including Low-cut filter, Ground lift and Limiter switches
- Operates within 4Ω and 2Ω loads
- Innovative heatsink with front to back air flow for efficient cooling
- Variable fan speed is automatically adjusted by temperature
- Electronically balanced XLR inputs
- Touch proof binding post and Speakon outputs
- Precision indented level controls, power switch
- Protect, Peak and Signal LEDs indicators for each channel
- Amplifier protection includes short circuit, excessive temperature, and DC on outputs



System Specifications:

| | |
|-------------------------------------|--|
| Rated Power (Stereo 4Ω) | 2 x 950W |
| Rated Power (Stereo 2Ω) | 2 x 1500W |
| Rated Power (Bridge 8Ω) | 1900W |
| Rated Power (Bridge 4Ω) | 3000W |
| Rated Power (Parallel mono 4Ω) | 950W |
| Rated Power (Parallel mono 2Ω) | 1500W |
| Input Sensitivity | 1V |
| S/N Ratio (A Weight) | >108dB |
| Frequency Response (+0/-0.25dB) | 20Hz-20kHz |
| Damping Factor | >800 @ 8ohm/100Hz |
| THD (10% Rated Power) | <0.05% |
| Input Connector | 2 x XLR, 2 x 6.5mm TRS |
| Input Impedance | 20kΩ Balanced, 10kΩ Unbalanced |
| Output Connectors | 2 x NL4 + 4 x Binding post |
| Cooling | 4 x fans, airflow from front to back |
| Power Supply | 220V-230V 50/60Hz, 1500VA |
| Dimensions (W x D x H) | 483mm (19") x 452mm (17.8") x 88mm (3.5") |
| Packaging Dimensions (1 piece/pack) | 550mm (21.7") x 540mm (21.3") x 175mm (6.9") |
| Net Weight (1 piece/pack) | 30kg (66.1lb) |
| Gross Weight (1 piece/pack) | 32kg (70.5lb) |



Product Description:

The Beta Three® UA 2500 2U professional amplifiers have been engineered with special circuit for reliability where full power is required for extended times in fixed installations or portable applications. The UA Series delivers extraordinary performance.

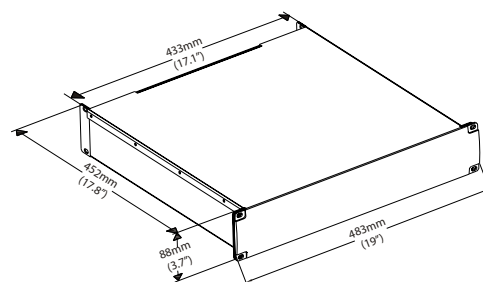
Key Features and Benefits:

- Housed in a rugged, all-steel 2U chassis
- Volume controlled individual for each channel.
- The power can be reached 3000W when bridge output is 8Ω
- Available for parallel input
- Available for voltage limitation function
- Low frequency cut-off can be selected according to different load
- Perfect protection function. Automatic identification of 2Ω load and adjust related parameters to ensure stable and reliable of amplifier.



System Specifications:

| | |
|---------------------------------|--|
| Rated Power (Stereo 8Ω) | 1250W |
| Rated Power (Stereo 4Ω) | 2000W |
| Rated Power (Bridge 16Ω) | 2400W |
| Rated Power (Bridge 8Ω) | 3600W |
| THD (10% Rated Power) | <0.05% |
| IMD(10% Rated Power 60Hz/7kHz) | <0.1% |
| Frequency Response (+0/-0.25dB) | 20Hz-20kHz |
| Phase-shift Characteristic | <+15° |
| Damping Factor | >800 @ 8ohm/100Hz |
| Separation Degree | >75dB |
| SNR | >108dB(A) |
| Overall Gain | 39+0.5dB |
| Channel Gain difference | <0.25dB |
| Input Sensitivity | 1V |
| Conversion Rate | >100V/μs |
| Input Impedance | 20kΩ Balanced, 10kΩ Unbalanced |
| Power Supply | 220V-230V 50/60Hz, 1800VA |
| Dimensions (W x D x H) | 483mm (19") x 452mm (17.8") x 88mm (3.5") |
| Packaging Dimensions | 550mm (21.7") x 540mm (21.3") x 175mm (6.9") |
| Net Weight | 28kg |
| Gross Weight | 32kg |



PRO AMPLIFIERS

Professional Power Amplifier

The Beta Three® NORM Series 2U professional amplifiers have been engineered for reliability where full power is required for extended times in fixed installations or portable applications.

The Beta Three® Q Series 2U professional amplifiers have been engineered for reliability where full power is required for extended times in fixed installations or portable applications.

NORM2.3

NORM2.4

NORM2.6

NORM2.10

NORM4.3

NORM4.4

NORM4.6

NORM4.10

Q3i

Q5i

Q7i

Product Description:

The Norm Series 2U professional amplifiers have been engineered for reliability where full power is required for extended times in fixed installations or portable applications. The innovative clean circuit design ensures high efficiency and convenient operation controls. Norm Series delivers extraordinary performance at unmatched value.

Key Features and Benefits:

- Housed in a rugged, all-steel 2U chassis
- Versatile input / output and cascade matchup
- Instant MF adjustment ensures superior performance
- Low distortion, Low noise. High speed amplification obtains clean and powerful sound
- Operates within 8Ω and 4Ω loads
- Variable fan speed is automatically adjusted by temperature with front to back air flow for efficient cooling
- Electronically balanced XLR inputs
- Touch proof binding post and Speakon outputs
- Precision indented level controls, power switch
- Protect, Peak and Signal LEDs indicators for each channel
- Amplifier protection includes short circuit, overload, excessive temperature, and DC on outputs



System Specifications:

| | |
|--|--|
| Rated Power (8Ω, @ 1kHz) | 2 x 280W |
| Rated Power (4Ω, @ 1kHz) | 2 x 450W |
| Max Gain | 35.4dB |
| Amplifier Type | A/B |
| Current Consumption (1/8 power 4Ω speaker) | 1.8A @230V |
| Max Current Consumption (1/8 power 4Ω speaker) | 2.7A @230V |
| THD | <0.025% @8Ω, 20Hz-20kHz |
| IMD | <0.05% @8Ω, 60Hz/7kHz 4:1 |
| Frequency Response | <± 0.5dB, 20Hz-20kHz |
| Phase Characteristics | <± 15° |
| Damping Factor | >200:1 |
| Resolution | >80 dB |
| S/N Ratio | >106dB(1kHz, A weight) |
| Input Sensitivity | 0.775V |
| Input Impedance | unbalance >10kΩ, balance >20kΩ |
| Input Connectors | 2 x XLR |
| Output Connector | 2 x XLR+2 x NL4+2 x Binding post |
| Cooling | airflow from front to back |
| Power Supply | AC 220-230V 50Hz/60Hz |
| Environment Temperature | -10°C--40°C(working) -25°C--80°C(storehouse) |
| Dimensions (W x D x H) | 390mm x 483mm x 89mm |
| Net Weight | 12.0kg |
| Gross Weight | 13.0kg |

Product Description:

The Norm Series 2U professional amplifiers have been engineered for reliability where full power is required for extended times in fixed installations or portable applications. The innovative clean circuit design ensures high efficiency and convenient operation controls. Norm Series delivers extraordinary performance at unmatched value.

Key Features and Benefits:

- Housed in a rugged, all-steel 2U chassis
- Versatile input / output and cascade matchup
- Instant MF adjustment ensures superior performance
- Low distortion, Low noise. High speed amplification obtains clean and powerful sound
- Operates within 8Ω and 4Ω loads
- Variable fan speed is automatically adjusted by temperature with front to back air flow for efficient cooling
- Electronically balanced XLR inputs
- Touch proof binding post and Speakon outputs
- Precision indented level controls, power switch
- Protect, Peak and Signal LEDs indicators for each channel
- Amplifier protection includes short circuit, overload, excessive temperature, and DC on outputs



System Specifications:

| | |
|--|--|
| Rated Power (8Ω, @ 1kHz) | 2 x 400W |
| Rated Power (4Ω, @ 1kHz) | 2 x 650W |
| Max Gain | 37.5dB |
| Amplifier Type | H |
| Current Consumption (1/8 power 4Ω speaker) | 1.6A @230V |
| Max Current Consumption (1/8 power 4Ω speaker) | 3.3A @230V |
| THD | <0.025% @8Ω, 20Hz-20kHz |
| IMD | <0.05% @8Ω, 60Hz/7kHz 4:1 |
| Frequency Response | <± 0.5dB, 20Hz-20kHz |
| Phase Characteristics | <± 15° |
| Damping Factor | >200:1 |
| Resolution | >80 dB |
| S/N Ratio | >106dB(1kHz, A weight) |
| Input Sensitivity | 0.775V |
| Input Impedance | unbalance >10kΩ, balance >20kΩ |
| Input Connectors | 2 x XLR |
| Output Connector | 2 x XLR+2 x NL4+2 x Binding post |
| Cooling | airflow from front to back |
| Power Supply | AC 220-230V 50Hz/60Hz |
| Environment Temperature | -10°C--40°C(working) -25°C--80°C(storehouse) |
| Dimensions (W x D x H) | 390mm x 483mm x 89mm |
| Net Weight | 12.0kg |
| Gross Weight | 13.0kg |

Product Description:

The Norm Series 2U professional amplifiers have been engineered for reliability where full power is required for extended times in fixed installations or portable applications. The innovative clean circuit design ensures high efficiency and convenient operation controls. Norm Series delivers extraordinary performance at unmatched value.

Key Features and Benefits:

- Housed in a rugged, all-steel 2U chassis
- Versatile input / output and cascade matchup
- Instant MF adjustment ensures superior performance
- Low distortion, Low noise. High speed amplification obtains clean and powerful sound
- Operates within 8Ω and 4Ω loads
- Variable fan speed is automatically adjusted by temperature with front to back air flow for efficient cooling
- Electronically balanced XLR inputs
- Touch proof binding post and Speakon outputs
- Precision indented level controls, power switch
- Protect, Peak and Signal LEDs indicators for each channel
- Amplifier protection includes short circuit, overload, excessive temperature, and DC on outputs



System Specifications:

| | |
|--|--|
| Rated Power (8Ω, @ 1kHz) | 2 x 600W |
| Rated Power (4Ω, @ 1kHz) | 2 x 1000W |
| Max Gain | 39dB |
| Amplifier Type | H |
| Current Consumption (1/8 power 4Ω speaker) | 2.2A @230V |
| Max Current Consumption (1/8 power 4Ω speaker) | 5A @230V |
| THD | <0.025% @8Ω, 20Hz-20kHz |
| IMD | <0.05% @8Ω, 60Hz/7kHz 4:1 |
| Frequency Response | <± 0.5dB, 20Hz-20kHz |
| Phase Characteristics | <± 15° |
| Damping Factor | >200:1 |
| Resolution | >80 dB |
| S/N Ratio | >106dB(1kHz, A weight) |
| Input Sensitivity | 0.775V |
| Input Impedance | unbalance >10kΩ, balance >20kΩ |
| Input Connectors | 2 x XLR |
| Output Connector | 2 x XLR+2 x NL4+2 x Binding post |
| Cooling | airflow from front to back |
| Power Supply | AC 220-230V 50Hz/60Hz |
| Environment Temperature | -10°C--40°C(working) -25°C--80°C(storehouse) |
| Dimensions (W x D x H) | 390mm x 483mm x 89mm |
| Net Weight | 13.0kg |
| Gross Weight | 14.0kg |

Product Description:

The Norm Series 2U professional amplifiers have been engineered for reliability where full power is required for extended times in fixed installations or portable applications. The innovative clean circuit design ensures high efficiency and convenient operation controls. Norm Series delivers extraordinary performance at unmatched value.

Key Features and Benefits:

- Housed in a rugged, all-steel 2U chassis
- Versatile input / output and cascade matchup
- Instant MF adjustment ensures superior performance
- Low distortion, Low noise. High speed amplification obtains clean and powerful sound
- Operates within 8Ω and 4Ω loads
- Variable fan speed is automatically adjusted by temperature with front to back air flow for efficient cooling
- Electronically balanced XLR inputs
- Touch proof binding post and Speakon outputs
- Precision indented level controls, power switch
- Protect, Peak and Signal LEDs indicators for each channel
- Amplifier protection includes short circuit, overload, excessive temperature, and DC on outputs



System Specifications:

| | |
|--|--|
| Rated Power (8Ω, @ 1kHz) | 2 x 1000W |
| Rated Power (4Ω, @ 1kHz) | 2 x 1600W |
| Max Gain | 41.2dB |
| Amplifier Type | H |
| Current Consumption (1/8 power 4Ω speaker) | 3.2A @230V |
| Max Current Consumption (1/8 power 4Ω speaker) | 7A @230V |
| THD | <0.025% @8Ω, 20Hz-20kHz |
| IMD | <0.05% @8Ω, 60Hz/7kHz 4:1 |
| Frequency Response | <± 0.5dB, 20Hz-20kHz |
| Phase Characteristics | <± 15° |
| Damping Factor | >200:1 |
| Resolution | >80 dB |
| S/N Ratio | >106dB(1kHz, A weight) |
| Input Sensitivity | 0.775V |
| Input Impedance | unbalance >10kΩ, balance >20kΩ |
| Input Connectors | 2 x XLR |
| Output Connector | 2 x XLR+2 x NL4+2 x Binding post |
| Cooling | airflow from front to back |
| Power Supply | AC 220-230V 50Hz/60Hz |
| Environment Temperature | -10°C--40°C(working) -25°C--80°C(storehouse) |
| Dimensions (W x D x H) | 390mm x 483mm x 89mm |
| Net Weight | 14.0kg |
| Gross Weight | 15.0kg |

Product Description:

The Norm Series 2U professional amplifiers have been engineered for reliability where full power is required for extended times in fixed installations or portable applications. The innovative clean circuit design ensures high efficiency and convenient operation controls. Norm Series delivers extraordinary performance at unmatched value.

Key Features and Benefits:

- Housed in a rugged, all-steel 2U chassis
- Versatile input / output and cascade matchup
- Instant MF adjustment ensures superior performance
- Low distortion, Low noise. High speed amplification obtains clean and powerful sound
- Operates within 8Ω and 4Ω loads
- Variable fan speed is automatically adjusted by temperature with front to back air flow for efficient cooling
- Electronically balanced XLR inputs
- Touch proof binding post and Speakon outputs
- Precision indented level controls, power switch
- Protect, Peak and Signal LEDs indicators for each channel
- Amplifier protection includes short circuit, overload, excessive temperature, and DC on outputs



System Specifications:

| | |
|--|--|
| Rated Power (8Ω, @ 1kHz) | 4 x 280W |
| Rated Power (4Ω, @ 1kHz) | 4 x 450W |
| Max Gain | 35.4dB |
| Amplifier Type | A/B |
| Current Consumption (1/8 power 4Ω speaker) | 3.6A @230V |
| Max Current Consumption (1/8 power 4Ω speaker) | 5.4A @230V |
| THD | <0.025% @8Ω, 20Hz-20kHz |
| IMD | <0.05% @8Ω, 60Hz/7kHz 4:1 |
| Frequency Response | <± 0.5dB, 20Hz-20kHz |
| Phase Characteristics | <± 15° |
| Damping Factor | >200:1 |
| Resolution | >80 dB |
| S/N Ratio | >106dB(1kHz, A weight) |
| Input Sensitivity | 0.775V |
| Input Impedance | unbalance >10kΩ, balance >20kΩ |
| Input Connectors | 4 x XLR |
| Output Connector | 1 x XLR+4 x NL4+4 x Binding post |
| Cooling | airflow from front to back |
| Power Supply | AC 220-230V 50Hz/60Hz |
| Environment Temperature | -10°C--40°C(working) -25°C--80°C(storehouse) |
| Dimensions (W x D x H) | 390mm x 483mm x 89mm |
| Net Weight | 16.0kg |
| Gross Weight | 17.0kg |

Product Description:

The Norm Series 2U professional amplifiers have been engineered for reliability where full power is required for extended times in fixed installations or portable applications. The innovative clean circuit design ensures high efficiency and convenient operation controls. Norm Series delivers extraordinary performance at unmatched value.

Key Features and Benefits:

- Housed in a rugged, all-steel 2U chassis
- Versatile input / output and cascade matchup
- Instant MF adjustment ensures superior performance
- Low distortion, Low noise. High speed amplification obtains clean and powerful sound
- Operates within 8Ω and 4Ω loads
- Variable fan speed is automatically adjusted by temperature with front to back air flow for efficient cooling
- Electronically balanced XLR inputs
- Touch proof binding post and Speakon outputs
- Precision indented level controls, power switch
- Protect, Peak and Signal LEDs indicators for each channel
- Amplifier protection includes short circuit, overload, excessive temperature, and DC on outputs



System Specifications:

| | |
|--|--|
| Rated Power (8Ω, @ 1kHz) | 4 x 400W |
| Rated Power (4Ω, @ 1kHz) | 4 x 650W |
| Max Gain | 37.5dB |
| Amplifier Type | H |
| Current Consumption (1/8 power 4Ω speaker) | 3.2A @230V |
| Max Current Consumption (1/8 power 4Ω speaker) | 6.6A @230V |
| THD | <0.025% @8Ω, 20Hz-20kHz |
| IMD | <0.05% @8Ω, 60Hz/7kHz 4:1 |
| Frequency Response | <± 0.5dB, 20Hz-20kHz |
| Phase Characteristics | <± 15° |
| Damping Factor | >200:1 |
| Resolution | >80 dB |
| S/N Ratio | >106dB(1kHz, A weight) |
| Input Sensitivity | 0.775V |
| Input Impedance | unbalance >10kΩ, balance >20kΩ |
| Input Connectors | 4 x XLR |
| Output Connector | 1 x XLR+4 x NL4+4 x Binding post |
| Cooling | airflow from front to back |
| Power Supply | AC 220-230V 50Hz/60Hz |
| Environment Temperature | -10°C--40°C(working) -25°C--80°C(storehouse) |
| Dimensions (W x D x H) | 390mm x 483mm x 89mm |
| Net Weight | 16.0kg |
| Gross Weight | 17.0kg |

Product Description:

The Norm Series 2U professional amplifiers have been engineered for reliability where full power is required for extended times in fixed installations or portable applications. The innovative clean circuit design ensures high efficiency and convenient operation controls. Norm Series delivers extraordinary performance at unmatched value.

Key Features and Benefits:

- Housed in a rugged, all-steel 2U chassis
- Versatile input / output and cascade matchup
- Instant MF adjustment ensures superior performance
- Low distortion, Low noise. High speed amplification obtains clean and powerful sound
- Operates within 8Ω and 4Ω loads
- Variable fan speed is automatically adjusted by temperature with front to back air flow for efficient cooling
- Electronically balanced XLR inputs
- Touch proof binding post and Speakon outputs
- Precision indented level controls, power switch
- Protect, Peak and Signal LEDs indicators for each channel
- Amplifier protection includes short circuit, overload, excessive temperature, and DC on outputs



System Specifications:

| | |
|--|--|
| Rated Power (8Ω, @ 1kHz) | 4 x 600W |
| Rated Power (4Ω, @ 1kHz) | 4 x 1000W |
| Max Gain | 39dB |
| Amplifier Type | H |
| Current Consumption (1/8 power 4Ω speaker) | 4.4A @230V |
| Max Current Consumption (1/8 power 4Ω speaker) | 10A @230V |
| THD | <0.025% @8Ω, 20Hz-20kHz |
| IMD | <0.05% @8Ω, 60Hz/7kHz 4:1 |
| Frequency Response | <± 0.5dB, 20Hz-20kHz |
| Phase Characteristics | <± 15° |
| Damping Factor | >200:1 |
| Resolution | >80 dB |
| S/N Ratio | >106dB(1kHz, A weight) |
| Input Sensitivity | 0.775V |
| Input Impedance | unbalance >10kΩ, balance >20kΩ |
| Input Connectors | 4 x XLR |
| Output Connector | 1 x XLR+4 x NL4+4 x Binding post |
| Cooling | airflow from front to back |
| Power Supply | AC 220-230V 50Hz/60Hz |
| Environment Temperature | -10°C--40°C(working) -25°C--80°C(storehouse) |
| Dimensions (W x D x H) | 390mm x 483mm x 89mm |
| Net Weight | 17.0kg |
| Gross Weight | 18.0kg |

Product Description:

The Norm Series 2U professional amplifiers have been engineered for reliability where full power is required for extended times in fixed installations or portable applications. The innovative clean circuit design ensures high efficiency and convenient operation controls. Norm Series delivers extraordinary performance at unmatched value.

Key Features and Benefits:

- Housed in a rugged, all-steel 2U chassis
- Versatile input / output and cascade matchup
- Instant MF adjustment ensures superior performance
- Low distortion, Low noise. High speed amplification obtains clean and powerful sound
- Operates within 8Ω and 4Ω loads
- Variable fan speed is automatically adjusted by temperature with front to back air flow for efficient cooling
- Electronically balanced XLR inputs
- Touch proof binding post and Speakon outputs
- Precision indented level controls, power switch
- Protect, Peak and Signal LEDs indicators for each channel
- Amplifier protection includes short circuit, overload, excessive temperature, and DC on outputs



System Specifications:

| | |
|--|--|
| Rated Power (8Ω, @ 1kHz) | 4 x 1000W |
| Rated Power (4Ω, @ 1kHz) | 4 x 1600W |
| Max Gain | 41.2dB |
| Amplifier Type | H |
| Current Consumption (1/8 power 4Ω speaker) | 6.4A @230V |
| Max Current Consumption (1/8 power 4Ω speaker) | 14A @230V |
| THD | <0.025% @8Ω, 20Hz-20kHz |
| IMD | <0.05% @8Ω, 60Hz/7kHz 4:1 |
| Frequency Response | <± 0.5dB, 20Hz-20kHz |
| Phase Characteristics | <± 15° |
| Damping Factor | >200:1 |
| Resolution | >80 dB |
| S/N Ratio | >106dB(1kHz, A weight) |
| Input Sensitivity | 0.775V |
| Input Impedance | unbalance >10kΩ, balance >20kΩ |
| Input Connectors | 4 x XLR |
| Output Connector | 1 x XLR+4 x NL4+4 x Binding post |
| Cooling | airflow from front to back |
| Power Supply | AC 220-230V 50Hz/60Hz |
| Environment Temperature | -10°C--40°C(working) -25°C--80°C(storehouse) |
| Dimensions (W x D x H) | 390mm x 483mm x 89mm |
| Net Weight | 19.0kg |
| Gross Weight | 20.0kg |

Product Description:

The new developed Q series amplifier is the best power solution for professional sound system requiring maximum performance and portability. It is Beta Three evolutionary integration of Class D amplification, switching power supply and DSP core in a rugged 2U chassis. With reliable extended power, light weight, smart signal display and advanced protection circuitry, Q series provides unmatched performance at real value.

Key Features and Benefits:

- Housed in a rugged, all-steel 2U chassis.
- Easy to configure in stereo / mono / bridge modes at the back
- Switched mode power supply ensures an improved amplifier performance at high output levels
- High efficient Class D amplification, low weight, low distortion and fast response.
- Minimum load impedance (stereo / mono): 2Ω
- Built-in DSP for the most flexible use in live sound or permanently installed sound
- The simple front panel controls and a LCD screen give you all of your sound's vital signs at a glance
- Electronically balanced XLR inputs
- Touch proof binding post and Speakon output
- Variable fan speed is automatically adjusted by temperature with front to back air flow to keep amplifier cooling
- Amplifier protection includes short circuit, overload, excessive temperature, DC on outputs



System Specifications:

| | |
|-------------------------------|-----------------------------------|
| Rated Power (Stereo 8Ω) | 2 x 550W |
| Rated Power (Stereo 4Ω) | 2 x 1000W |
| Rated Power (Stereo 2Ω) | 2 x 1500W |
| Rated Power (Bridge 8Ω) | 2000W |
| Rated Power (Bridge 4Ω) | 3000W |
| THD (@1kHz) | <0.5% |
| IMD (@60Hz/7kHz 4:1) | <1% |
| Amplifier Type | D |
| S/N Ratio | >85dB (1kHz, A weight) |
| Damping Factor | >300 @ 8ohm/100Hz |
| Frequency Response | <±0.5dB, 10Hz – 20kHz |
| Input Sensitivity | 0.775V |
| Crosstalk Attenuation (@1kHz) | >55dB |
| CH Gain Difference (@1kHz) | <0.25dB |
| Static Power Consumption | 40W ±10% |
| Input connector | 2x XLR |
| Output Connector | 2x XLR + 2x NL4 + 2x Binding post |
| Power Supply | AC 220-230V 50Hz/60Hz |
| Cooling | airflow from front to back |
| Packing Dimension (W x D x H) | 580mm x 570mm x 150mm |
| Net Weight | 8.5kg |
| Gross Weight | 9.5kg |

Product Description:

The new developed Q series amplifier is the best power solution for professional sound system requiring maximum performance and portability. It is Beta Three evolutionary integration of Class D amplification, switching power supply and DSP core in a rugged 2U chassis. With reliable extended power, light weight, smart signal display and advanced protection circuitry, Q series provides unmatched performance at real value.



Key Features and Benefits:

- Housed in a rugged, all-steel 2U chassis.
- Easy to configure in stereo / mono / bridge modes at the back
- Switched mode power supply ensures an improved amplifier performance at high output levels
- High efficient Class D amplification, low weight, low distortion and fast response.
- Minimum load impedance (stereo / mono): 2Ω
- Built-in DSP for the most flexible use in live sound or permanently installed sound
- The simple front panel controls and a LCD screen give you all of your sound's vital signs at a glance
- Electronically balanced XLR inputs
- Touch proof binding post and Speakon output
- Variable fan speed is automatically adjusted by temperature with front to back air flow to keep amplifier cooling
- Amplifier protection includes short circuit, overload, excessive temperature, DC on outputs

System Specifications:

| | |
|-------------------------------|-----------------------------------|
| Rated Power (Stereo 8Ω) | 2 x 900W |
| Rated Power (Stereo 4Ω) | 2 x 1600W |
| Rated Power (Stereo 2Ω) | 2 x 2500W |
| Rated Power (Bridge 8Ω) | 3200W |
| Rated Power (Bridge 4Ω) | 5000W |
| THD (@1kHz) | <0.5% |
| IMD (@60Hz/7kHz 4:1) | <1% |
| Amplifier Type | D |
| S/N Ratio | >100dB (1kHz, A weight) |
| Damping Factor | >300 @ 8ohm/100Hz |
| Frequency Response | <±0.5dB, 10Hz – 20kHz |
| Input Sensitivity | 0.775V |
| Crosstalk Attenuation (@1kHz) | >55dB |
| CH Gain Difference (@1kHz) | <0.25dB |
| Static Power Consumption | 45W ±10% |
| Input connector | 2x XLR |
| Output Connector | 2x XLR + 2x NL4 + 2x Binding post |
| Power Supply | AC 220-230V 50Hz/60Hz |
| Cooling | airflow from front to back |
| Packing Dimension (W x D x H) | 580mm x 570mm x 150mm |
| Net Weight | 8.5kg |
| Gross Weight | 9.5kg |

Product Description:

The new developed Q series amplifier is the best power solution for professional sound system requiring maximum performance and portability. It is Beta Three evolutionary integration of Class D amplification, switching power supply and DSP core in a rugged 2U chassis. With reliable extended power, light weight, smart signal display and advanced protection circuitry, Q series provides unmatched performance at real value.

Key Features and Benefits:

- Housed in a rugged, all-steel 2U chassis.
- Easy to configure in stereo / mono / bridge modes at the back
- Switched mode power supply ensures an improved amplifier performance at high output levels
- High efficient Class D amplification, low weight, low distortion and fast response.
- Minimum load impedance (stereo / mono): 2Ω
- Built-in DSP for the most flexible use in live sound or permanently installed sound
- The simple front panel controls and a LCD screen give you all of your sound's vital signs at a glance
- Electronically balanced XLR inputs
- Touch proof binding post and Speakon output
- Variable fan speed is automatically adjusted by temperature with front to back air flow to keep amplifier cooling
- Amplifier protection includes short circuit, overload, excessive temperature, DC on outputs



System Specifications:

| | |
|-------------------------------|-----------------------------------|
| Rated Power (Stereo 8Ω) | 2 x 1200W |
| Rated Power (Stereo 4Ω) | 2 x 2000W |
| Rated Power (Stereo 2Ω) | 2 x 3500W |
| Rated Power (Bridge 8Ω) | 4000W |
| Rated Power (Bridge 4Ω) | 7000W |
| THD (@1kHz) | <0.5% |
| IMD (@60Hz/7kHz 4:1) | <1% |
| Amplifier Type | D |
| S/N Ratio | >100dB (1kHz, A weight) |
| Damping Factor | >300 @ 8ohm/100Hz |
| Frequency Response | <±0.5dB, 10Hz – 20kHz |
| Input Sensitivity | 0.775V |
| Crosstalk Attenuation (@1kHz) | >55dB |
| CH Gain Difference (@1kHz) | <0.25dB |
| Static Power Consumption | 40W ±10% |
| Input connector | 2x XLR |
| Output Connector | 2x XLR + 2x NL4 + 2x Binding post |
| Power Supply | AC 220-230V 50Hz/60Hz |
| Cooling | airflow from front to back |
| Packing Dimension (W x D x H) | 580mm x 570mm x 150mm |
| Net Weight | 8.5kg |
| Gross Weight | 9.5kg |

PRO AMPLIFIERS

Public Address Amplifier

The Beta Three® BA Series 2U professional amplifiers have been engineered for reliability where full power is required for extended times in fixed installations or portable applications.

BA1602

BA3240

BA5120

BA5240

BA-120PCX

BA-240PCX

BA-240XCD5

Product Description:

The Beta Three® BA1602 600W public address amplifier is designed and engineered to suit public address installations where continuous high power is required. This versatile mixer amplifier can be used in a wide variety of public address applications.

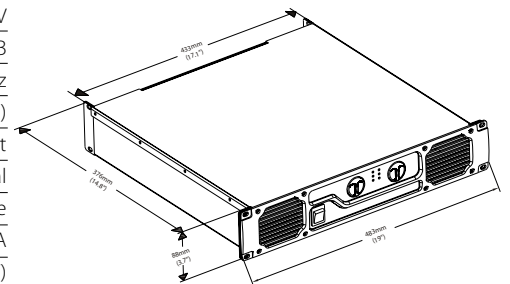


Key Features and Benefits:

- 2 x balanced XLR or 6.5mm line level inputs
- Selectable voltage binding post outputs
- Front panel volume controls for each channel
- LED signal, peak and power indicators
- Voltage outputs 50V, 70V, 100V - bridge mode 100V, 140V, 200V
- Protection for short circuit, over load, over heat
- Variable speed fans

System Specifications:

| | |
|------------------------------|--|
| Rated Power | 2 x 600W (RMS) Dual Channel, 1200W (Bridged) |
| Input Sensitivity | 1V |
| S/N Ratio (A Weight) | 100dB |
| Frequency Response (+0/-3dB) | 50Hz-16kHz |
| THD | <0.5% (Normal working condition) |
| Input Terminals | XLR/6.5mm socket |
| Output Connector | Crew Terminal |
| Input Impedance | 20kΩ Balance, 10kΩ Unbalance |
| Power Supply | 220V/230V 50/60Hz, 600VA |
| Dimensions (W x D x H) | 483mm (19") x 376mm (14.8") x 88mm (3.5") |
| Net Weight (1 piece/pack) | 22kg (48.5lb) |
| Gross Weight (1 piece/pack) | 23kg (50.7lb) |



Product Description:

The Beta Three® BA3240 240W mixer amplifier is designed and engineered to suit public address installations where continuous high power is required. This versatile mixer amplifier can be used in a wide variety of public address applications.



Key Features and Benefits:

- Six zone selector buttons on the front panel
- Inputs 1-4 balanced microphone with 24V phantom power or line level
- Front panel volume controls for each channel
- Front panel treble and bass control
- Front panel master volume control
- LED 7 segment signal level indicator
- Input 1 is priority mute channel, control all other channels
- Rated voltage outputs on screw terminals 25V, 50V, 70V, 100V, 120v (rated impedance output 4ohm)
- Monitor output 1W @ 8ohm optional
- 24V DC interface
- Protection for short circuit, over load, over heat

System Specifications:

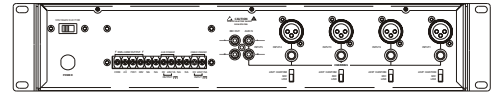
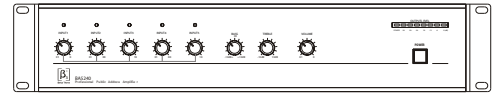
| | |
|--|--|
| Rated Power | 240W (RMS) |
| S/N Ratio (A Weight) | >70dB(mic), >80dB(circuit) |
| Frequency Response (+0/-0.25dB) | 50Hz-16kHz |
| THD | <0.5% (Normal working condition) |
| Mic input setting of channel INPUT 1- INPUT 4 | 10mV/1kΩ (balanced) |
| Line input setting of channel INPUT 1- INPUT 4 | 200mV/30kΩ (balanced) |
| Tone Control | >6dB @ 10kHz HF, >6dB @ 100Hz LF |
| Channel 5 Input | 200mV/50kΩ (unbalanced) |
| Input Impedance | 20kΩ Balance, 10kΩ Unbalance |
| REC OUT/Impedance | 1V/1kΩ |
| Power Supply | 110V/220V 50/60Hz |
| Dimensions (W x D x H) | 316mm (12.5") x 88mm (3.5") x 250mm (9.9") |
| Net Weight (1 piece/pack) | 15.6kg (34.3lb) |
| Gross Weight (1 piece/pack) | 16.4kg (36.1lb) |

Product Description:

The Beta Three® BA5120 120W mixer amplifier is designed and engineered to suit public address installations where continuous high power is required. This versatile mixer amplifier can be used in a wide variety of public address applications.

Key Features and Benefits:

- Inputs 1-4 balanced microphone with 24V phantom power or line level
- Input 5 unbalanced line level on RCA connectors
- Record output on RCA connectors
- Front panel volume controls for each channel
- Front panel treble and bass control
- Front panel master volume control
- LED 7 segment signal level indicators
- Input 1 has priority to control all other channels
- Rated voltage outputs on screw terminals - 70V, 100V (rated impedance output 4ohm)
- 24V DC interface
- Protection for short circuit, over load, over heat



System Specifications:

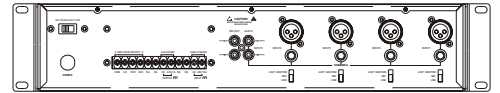
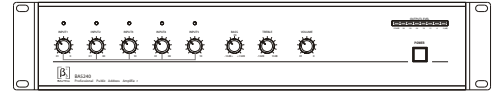
| | |
|--|--|
| Rated Power | 120W (RMS) |
| Input Sensitivity (THD) | <0.5% @ 1kHz 24W |
| S/N Ratio (A Weight) | >70dB (mic), > 80dB (circuit) |
| Frequency Response (+0/-3dB) | 50Hz-16kHz |
| Mic input setting of channel INPUT 1- INPUT 4 | 10mV/1kΩ (balanced) |
| Line input setting of channel INPUT 1- INPUT 4 | 200mV/30kΩ (balanced) |
| Tone Control | >6dB @ 10kHz HF, >6dB @ 100Hz LF |
| Channel INPUTS input | 200mV/50kΩ (unbalanced) |
| Output Terminal | 4-16Ω 70V,100V |
| REC OUT/Impedance | 1V/1kΩ |
| Power Supply | 110V/220V 50/60Hz |
| Dimensions (W x D x H) | 316mm (12.5") x 250mm (9.9") x 88mm (3.5") |
| Net Weight (1 piece/pack) | 14.5kg (32lb) |
| Gross Weight (1 piece/pack) | 15.5kg (34.2lb) |

Product Description:

The Beta Three® BA5240 240W mixer amplifier is designed and engineered to suit public address installations where continuous high power is required. This versatile mixer amplifier can be used in a wide variety of public address applications.

Key Features and Benefits:

- Inputs 1-4 balanced microphone with 24V phantom power or line level
- Input 5 unbalanced line level on RCA connectors
- Record output on RCA connectors
- Front panel volume controls for each channel
- Front panel treble and bass control
- Front panel master volume control
- LED 7 segment signal level indicators
- Input 1 has priority to control all other channels
- Rated voltage outputs on screw terminals - 70V, 100V (rated impedance output 4ohm)
- 24V DC interface
- Protection for short circuit, over load, over heat



System Specifications:

| | |
|--|--|
| Rated Power | 240W (RMS) |
| Input Sensitivity (THD) | <0.5% @ 1kHz 24W |
| S/N Ratio (A Weight) | >70dB (mic), > 80dB (circuit) |
| Frequency Response (+0/-3dB) | 50Hz-16kHz |
| Mic input setting of channel INPUT 1- INPUT 4 | 10mV/1kΩ (balanced) |
| Line input setting of channel INPUT 1- INPUT 4 | 200mV/30kΩ (balanced) |
| Tone Control | >6dB @ 10kHz HF, >6dB @ 100Hz LF |
| Channel INPUTS input | 200mV/50kΩ (unbalanced) |
| Output Terminal | 4-16Ω 70V, 100V |
| REC OUT/Impedance | 1V/1kΩ |
| Power Supply | 110V/230V 50/60Hz |
| Dimensions (W x D x H) | 316mm (12.5") x 250mm (9.9") x 88mm (3.5") |
| Net Weight (1 piece/pack) | 17.6kg (38.8lb) |
| Gross Weight (1 piece/pack) | 18.6kg (41lb) |

Product Description:

The Beta Three® BA-120PCX Broadcast Amplifier is designed and engineered to suit public address installations where continuous high power is required. This versatile broadcast power amplifier can be used in a wide variety of public address applications.

Key Features and Benefits:

- Housed in a rugged, all-steel 2U chassis
- Two line inputs(AUX1, 2), volume adjust separately
- one line output for connecting with post-amplifier for power extension
- Three MIC inputs(MIC1, 2, 3), MIC 1 is top priority, volume adjust respectively
- MIC2 and MIC 3 equip auxiliary line input ports
- Volume of TREBLE and BASS adjust respectively
- Abnormal working warn protect function, such as: overload signal,short circuit, high reliability assured
- Impeccable temperature protection system, high speed large current fan, good heat dissipation effect with low noise
- Two types of power output: 100v/70V constant voltage, 4-16Ω constant impedance



System Specifications:

| | |
|------------------------|---|
| Output Power | 120W |
| Power Consumption | 200W |
| Output | 4-16Ω(balance), 70V/100V (rated voltage) |
| Auxiliary Output | 600 Ω 1V(0dB) |
| Input | MIC1,2,3: 600Ω 20m v; AUX1, 2:15kΩ150m v unbalanced |
| Frequency Response | 80Hz-15kHz |
| THD | <1% at 1kHz, 1/3 reted power |
| S/N Ratio | Microphone1, 2, 3: 66dB; AUX 1, 2: 80dB |
| Volume Adjustment | LF: ±10dB at 100Hz, HF:±10dB at 10kHz |
| Power Supply | 220V/50Hz |
| Dimensions (W x D x H) | 484mm×88mm×435mm |
| Net Weight | 13kg |

Product Description:

The Beta Three® BA-240PCX Broadcast Amplifier is designed and engineered to suit public address installations where continuous high power is required. This versatile broadcast power amplifier can be used in a wide variety of public address applications.



Key Features and Benefits:

- Housed in a rugged, all-steel 2U chassis
- Two line inputs(AUX1, 2), volume adjust separately
- one line output for connecting with post-amplifier for power extension
- Three MIC inputs(MIC1, 2, 3), MIC 1 is top priority, volume adjust respectively
- MIC2 and MIC 3 equip auxiliary line input ports
- Volume of TREBLE and BASS adjust respectively
- Abnormal working warn protect function, such as: overload signal , short circuit, high reliability assured
- Impeccable temperature protection system, high speed large current fan, good heat dissipation effect with low noise.
- Two types of power output: 100v/70v constant voltage, 4-16Ω constant impedance

System Specifications:

| | |
|------------------------|---|
| Output power | 240W |
| Power consumption | 400W |
| Output | 4-16Ω(balance), 70V/100V (rated voltage) |
| Auxiliary output | 600 Ω 1V(0dB) |
| Input | MIC1,2,3: 600Ω 20m v; AUX1, 2: 15kΩ 150m v unbalanced |
| Frequency response | 80Hz-15kHz |
| THD | <1% at 1kHz, 1/3 reted power |
| S/N Ratio | Microphone1, 2, 3: 66dB; AUX 1, 2: 80dB |
| Volume adjustment | LF: ±10dB at 100Hz; HF:±10dB at 10kHz |
| Power Supply | 220V/50Hz |
| Dimensions (W x D x H) | 484mm×88mm×450mm |
| Net Weight | 15kg |

Product Description:

The Beta Three® BA-240PCX Broadcast Amplifier is designed and engineered to suit public address installations where continuous high power is required. This versatile broadcast power amplifier can be used in a wide variety of public address applications.

Key Features and Benefits:

- Housed in a rugged, all-steel 2U chassis
- Two line inputs(AUX1, 2), volum adjust separately
- one line output for connecting with post-amplifier for power extension
- Three MIC inputs(MIC1, 2, 3), MIC 1 is top priority, volum adjust respectively
- MIC2 and MIC 3 equip auxiliary line input ports
- Volum of TREBLE and BASS adjust respectively
- Apply Field-effect Tube Pre-amplify, comely and pure tone
- Abnormal working warn protect function, such as: oversized input signal, overloading, short circuit, high reliability assured.
- Impeccable temperature protection system, high speed large current fan, good heat dissipation effect with low noise.
- Three types of power output: 100v/70v constant voltage, 4-16Ω constant imepdance,5 zone rated voltage output 100v.
- Fault inspecting module for option.



System Specifications:

| | |
|------------------------|---|
| Output Power | 240W |
| Power Consumption | 400W |
| Output | 4-16Ω(balance), 70V/100V (rated voltage) |
| Auxiliary Output | 600 Ω 1V(0dB) |
| Input | MIC1,2,3: 600Ω 20m v; AUX1, 2: 15kΩ 150m v unbalanced |
| Frequency Response | 80Hz-15kHz |
| THD | <1% at 1kHz, 1/3 reted power |
| S/N Ratio | Microphone1,2, 3: 66dB; AUX 1,2: 80dB |
| Volum Adjust | LF: ±10dB at 100Hz; HF:±10dB at 10kHz |
| Power Supply | 220V/50Hz |
| Dimensions (W x D x H) | 484mm×88mm×450mm |
| Net Weight | 15kg |

ELECTRONICS

The Beta Three® Electronics have been engineered to a quality and standard that is required for any fixed installation or portable application.

ΣC4800
ΣC8800
ΣC2600U
ΣC2402
C223+
DS1800
EQ2231
ADC-1
DAC-1
DP63X
D248(F)
PX7000 PX-4K

Product Description:

The ΣC4800 is a 1U integrated speaker management processor. This device is easily programmable to meet all installation applications.



Key Features and Benefits:

- 32bit high performance floating point DSP and 24bit 192K sampling rate AD/DA chip for better dynamic processing and high-fidelity restore capability
- Parametric EQ (5-band for input, 7-band for output)
- Maximum delay is 2.6s for each signal
- 4-way balanced analog signal input, 8-way balanced analog signal output
- Crossover: Bessel/Butterworth 12/18/24/30/36dB per octave and Linkwitz-Riley 12/18/24dB per octave
- Peak limit
- Both input mute and output mute available
- Store maximum 50 set of customized programs
- USB/RS485 connectors for cascade of multiple processors

System Specifications:

| | |
|-----------------------------|--------------------------------------|
| Input Connector | XLR-3 input socket (8-way) |
| Output Connector | output terminal (8-way) |
| Input Impedance | >10kΩ |
| Maximum Output Levels | +20dBu |
| A/D Sampling Frequency | 128 times oversampling, linear phase |
| Frequency Response (±0.5dB) | 20Hz-20kHz |
| THD + N | <0.006% |
| S/N Ratio (A weight) | 110dB |
| Power Supply | 200V-240V/50-60Hz |
| Dimensions (W x D x H) | 482mmx 228mm x 44mm |
| Gross Weight (1 piece/pack) | 5.7kg |

Product Description:

The ΣC8800 is a 1U integrated speaker management processor. This device is easily programmable to meet all installation applications.

Key Features and Benefits:

- 32bit high performance floating point DSP and 24bit 192K sampling rate AD/DA chip for better dynamic processing and high-fidelity restore capability
- Gain 0.5dB/step
- Parametric EQ (5-band for input, 7-band for output)
- Maximum delay is 2.6s for each signal
- 8-way balanced analog signal input, 8-way balanced analog signal output.
- Crossover: Bessel/Butterworth 12/18/24/30/36dB per octave and Linkwitz-Riley 12/18/24dB per octave
- Peak limit
- Both input mute and output mute available
- Store maximum 50 set of customized programs
- USB/RS485 connectors for cascade of multiple processors



System Specifications:

| | |
|-----------------------------|--------------------------------------|
| Input Connector | XLR-3 input socket (8-way) |
| Output Connector | output terminal (8-way) |
| Input Impedance | >10kΩ |
| Maximum Output Levels | +20dBu |
| A/D Sampling Frequency | 128 times oversampling, linear phase |
| Frequency Response (±0.5dB) | 20Hz-20kHz |
| THD + N | <0.006% |
| S/N Ratio (A weight) | 110dB |
| Power Supply | 200V-240V/50-60Hz |
| Dimensions (W x D x H) | 482mmx 228mm x 44mm |
| Gross Weight (1 piece/pack) | 4.7kg |

Product Description:

The ΣC2600U is a 1U integrated speaker management processor. This device is easily programmable to meet all installation applications.

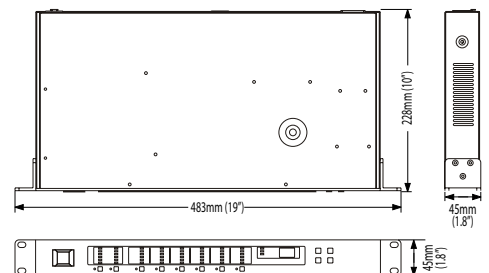
Key Features and Benefits:

- Integrated speaker management processor
- Three-way stereo or six-way mono crossover
- 32 bit floating point DSP and digital filter
- 2 x input XLRs + 6 x Output XLRs + 2 x RS485 XLR + USB + 1 x 6.5mm socket (BGM signal)
- Software programmable via PC (USB port)
- Provides input selection, gain control, delay, crossover, equalization and limiter functions
- DSP - 64kHz sample rate with 24bit AD/DA processing
- Front panel input and output LED indicators
- Store up to 20 presets



System Specifications:

| | |
|-----------------------------|--|
| Input Connector | 2 x Balanced XLR, 2 x RS485 XLR, 1 x USB + 1 x 6.5mm |
| Output Connector | 6 x Balanced XLR |
| Input Impedance | Balanced 10kΩ |
| Maximum Output Levels | +20dBu |
| A/D Sampling Frequency | 64kHz, 24bit linear |
| Frequency Response (±0.3dB) | 20Hz-20kHz |
| THD + N | <0.006% |
| S/N Ratio (A weight) | 110dB |
| Dynamic Range | ≥ 107dB |
| Power Supply | 220V/50Hz |
| Dimensions (W x D x H) | 483mm (19") x 228mm (10") x 45mm (1.8") |
| Net Weight (1 piece/pack) | 4.7kg (10.4lb) |
| Gross Weight (1 piece/pack) | 6.3kg (13.9lb) |



Product Description:

The ΣC2402 is a 1U integrated speaker management processor. This device is easily programmable to meet all small installation applications.

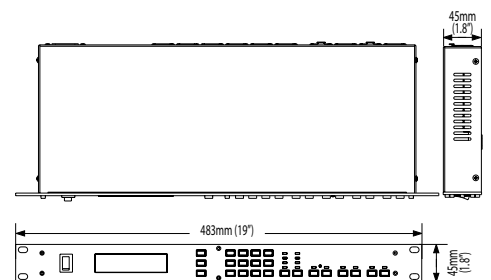
Key Features and Benefits:

- Integrated speaker management processor
- Three-way stereo or six-way mono crossover
- 32 bit floating point DSP and digital filter
- 2 x input XLRs + 6 x Output XLRs
- Front panel programmable
- Provides input selection, gain control, delay, crossover, equalization and limiter functions
- DSP - 48kHz sample rate with 24bit AD/DA processing
- Front panel input and output LED indicators
- Store up to 20 presets



System Specifications:

| | |
|-----------------------------|--|
| Input Connector | 2 x Balanced XLR |
| Output Connector | 6 x Balanced XLR |
| Input Impedance | Balanced 10kΩ |
| Maximum Output Levels | ≥ +20dBu |
| A/D Sampling Frequency | 48kHz-24bit linear |
| Dynamic Range (A weight) | ≥105dB |
| Power Supply | 220V/50Hz |
| Dimensions (W x D x H) | 483mm (19") x 172mm (6.8") x 45mm (1.8") |
| Net Weight (1 piece/pack) | 3kg (6.6lb) |
| Gross Weight (1 piece/pack) | 4.5kg (9.9lb) |



Product Description:

The C223+ is a 1U Stereo two-way/mono three-way active crossover.

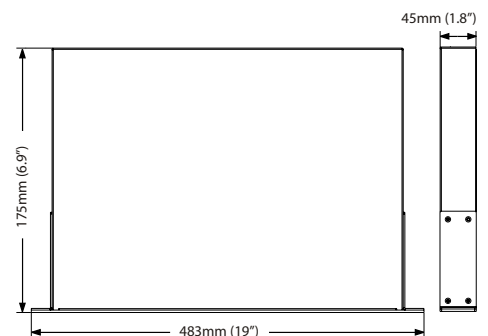
Key Features and Benefits:

- Front Panel
 - 2 x Input gain control
 - 2 x Low/high frequency selector
 - 2 x Low output gain control
 - 2 x High output gain control
 - 2 x Phase inversion switch
 - 2 x 40Hz low cut switch
- Rear Panel
 - 2 x Balanced XLR input connectors
 - 4 x Balanced XLR output connectors
 - Two-way stereo or three-way mono crossover via switch
- Switch to select normal or summed low frequency output
- Switch to select between 1x or 10x frequency



System Specifications:

| | |
|-------------------------------------|--|
| System | Two way - Three way Crossover |
| Harmonic Distortion | <0.004% @ +4dB, <0.04% @ +20dB, 1kHz |
| Channel Crosstalk | <-80dB 20Hz-20kHz |
| Crossover Point | 45Hz-960Hz adjustable or 450Hz-9.6kHz adjustable |
| Frequency Response (± 0.3 dB) | <3Hz - >90Hz, +0/-3dB |
| Dynamic Range | >106dB unweighted, all outputs |
| Power Supply | 220V/50Hz |
| Dimensions (W x D x H) | 483mm (19") x 175mm (6.9") x 45mm (1.8") |
| Packaging Dimensions (1 piece/pack) | 523mm (20.6") x 261mm (10.3") x 59mm (2.3") |
| Net Weight (1 piece/pack) | 1.7kg (3.74lb) |
| Gross Weight (1 piece/pack) | 2.5kg (5.5lb) |



Product Description:

The DS1800 is a 1U, 2 in 4 out, or 1 in 8 out Distribution Amplifier.

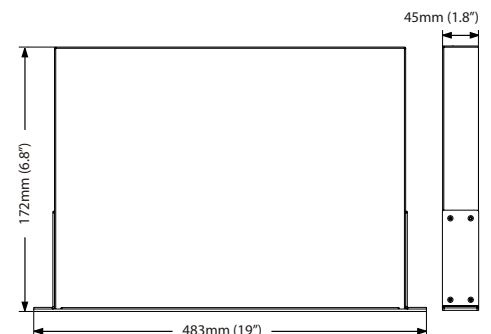


Key Features and Benefits:

- Front Panel
 - Independent volume control to adjust each channel (concealed controls)
 - LED indicator for mode selection
 - LED signal indicators
- Rear Panel
 - 2 x Balanced XLR input connectors
 - 8 x Balanced XLR output connectors
 - 2 x XLR link connectors
 - Mode switch for 2 x 4 or 1 x 8

System Specifications:

| | |
|------------------------------------|--|
| Input Connector | 2 x Balanced XLR |
| Output Connector | 8 x Balanced XLR, 2 x Balanced XLR Link |
| Input Impedance | Balanced 10k Ω |
| Maximum Output Levels | $\geq +20$ dBu |
| Frequency Response (± 0.3 dB) | 20Hz-20kHz |
| THD + N | <0.008% |
| S/N Ratio (A weight) | >100dB |
| Dynamic Range | ≥ 120 dB |
| Power Consumption | <8W |
| Power Supply | 220V/50Hz |
| Dimensions (W x D x H) | 483mm (19") x 172mm (6.8") x 45mm (1.8") |
| Net Weight (1 piece/pack) | 2.5kg (5.5lb) |
| Gross Weight (1 piece/pack) | 3.5kg (7.7lb) |



Product Description:

The EQ2231 is a 3U 30 band, constant Q Stereo Graphic Equalizer.

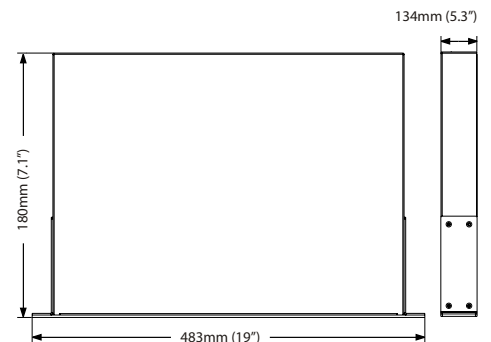
Key Features and Benefits:

- EQ filter is bypassed if fader is in centre indent position
- In the event of power failure a high quality relay switch sends input signal directly to output connectors
- Power-on delay for soft start
- Front Panel
 - 2 x 30 constant Q faders $\pm 15\text{dB}$ control range
 - 9 x segment signal output LEDs
 - Gain control
 - High pass filter up to 250Hz
 - Low frequency shelf filter $\pm 6\text{dB}$ of gain at 50Hz
 - High frequency shelf and filter $\pm 6\text{dB}$ gain 14kHz
 - EQ bypass switch
- Rear Panel
 - 2 x Balanced XLR input connectors
 - 2 x Balanced XLR output connectors
 - 6.5mm inputs and outputs connectors
 - Phoenix inputs and output connectors



System Specifications:

| | |
|---|--|
| Input Impedance | 10k Ω Balanced and Unbalanced |
| Overloaded Electromotive Force | 8.5V |
| Frequency Response ($\pm 1\text{dB}$) | 5Hz-45kHz |
| Harmonic Distortion | <0.008% THD 20-20kHz |
| S/N Ratio | >92dB |
| Max. Output Level | 9.5V |
| Output Impedance | <50 Ω |
| Dynamic Range | >115dB |
| Crosstalk | >85dB @ 1kHz |
| Frequency Control | $\pm 15\text{dB}$ on ISO centres Q value for 4 |
| Power Supply | 115V/230V VAC 50-60Hz 30VA |
| Dimensions (W x D x H) | 483mm (19") x 180mm (7.1") x 134mm (5.3") |
| Net Weight (1 piece/pack) | 3kg (6.6lb) |
| Gross Weight (1 piece/pack) | 4.5kg (9.9lb) |



ADC-1

Product Description:

ADC-1 is a professional analog to AES / EBU convertor & transmitter. It is specially designed for converting analog audio signal to AES/EBU digital audio signal for long distance non-interference transmission. ADC-1 can be used in radio studio, transmitter room or bar control room. Use with DAC-1 terminal receiver to form a complete system.



Key Features and Benefits:

- Plug and play, very simple operation
- Professional design concept based on application requirements
- Analog signal to digital signal conversion, 4-way analog audio signals converted to 48kHz, 24Bit AES/EBU digital signal
- 2-way digital signal transmitted in one signal cable of distance up to 200 meters, which avoids analog audio long-distant transmission interference
- ESD/RF protection of input & output connectors

System Specifications:

| | |
|----------------------------------|---|
| Frequency Response | ≤0.5dB, 20Hz-20kHz |
| Dynamic range | ≥110dB |
| Distortion | ≤0.008% |
| Crosstalk | ≤ -92dB |
| Level difference | ≤0.5dB |
| Input | 4 XLR balanced, Input Impedance 20k ohm |
| Output | 2XLR balanced, Output Impedance 110 ohm |
| Supply voltage/Power consumption | 220V/ <10W |

Product Description:

DAC-1 is a professional digital to analog audio convertor & receiver. It is specially designed for receiving AES/EBU digital signal from ADC-1 and converting it to balanced analogue audio signal. DAC-1 can be used in engine room of radio station, engine room of bars etc.



Key Features and Benefits:

- Plug and play, very simple operation
- Professional design concept based on application requirements
- Receive digital signal and convert 2 AES/EBU input signal to 4-way analog audio signal
- AES/EBU digital signal transmission distance up to 200 meters, which avoids transmission interference of analog signal under long distance
- ESD protection of input & output connectors

System Specifications:

| | |
|----------------------------------|--|
| Frequency Response | ≤0.5dB, 20Hz-20kHz |
| Dynamic range | ≥110dB |
| Distortion | ≤0.008% |
| Crosstalk | ≤ -92dB |
| Level difference | ≤0.5dB |
| Input | 2 XLR, AES/EBU signal, input impedance 110ohm, balanced |
| Output | 4-way balanced analog signal, output impedance 600 ohm, Max output level |
| Supply voltage/Power consumption | 220V/ <10W |

Product Description:

DP63X power sequencer can distribute main power input into six channel power output and turn on/off the power in time wise, which effectively reduce the shock to equipment, particularly suitable for large sound system installation.



Key Features and Benefits:

- One main power input, six controllable power output
- Internal Micro-processor control, can turn on in clockwise and turn off in anti-clockwise, also can be networked with another sequencers. LED indication for every channel.
- BYPASS switch and independent channel switch for flexible operation
- Standard 2U rack height, easy for installation
- Provide DC 5V/100mA power supply via USB port

System Specifications:

| | |
|-------------------------------|-------------------|
| Max system power input | 18KW |
| Mixer port | 3KW |
| Connect/Disconnect delay time | 1s |
| Network connection control | Yes |
| BYPASS function | Yes |
| Operating voltage | 220V 50Hz-60Hz |
| Dimension (W x D x H) | 483 x 88 x277mm |
| Package dimension | 525 x 128 x 340mm |
| Net weight | 6.8kg |
| Gross weight | 8.0kg |

Product Description:

Beta Three® D248 is a professional digital audio network platform. It is designed to adapt the development trend of the professional audio network. Perfectly solve the numerous line complexity, fault, and hidden trouble in the current analog audio transmission. Promote the system amplification quality. The redundant line design ensures the reliability requirements of the occasion. Adapted well to the demand of the market.

Key Features and Benefits:

- Independent run without other equipments interference
- High quality 24 bit 48KHz non-compression digital audio
- No crosstalk and ground circuit problem
- Minimum 200µS delay (12S-12S)
- Standard Cat 5 or Cat 6 cable, transmission distance up to 300 feet (100m)
- Durable XLR input/output socket
- Well-done hardware anti-interference (RF/ESD protection) with powerful software auto inspection and correction technology, which ensures the reliability of equipment
- Optional internal redundancy circuit
- RS-232 control port



System Specifications:

| | |
|-----------------------------|---|
| Stage port | 24-ways balanced analog audio input (3×DB25 connectors) |
| Mixer port | 8-ways balanced analog audio input (3×DB25 connectors) |
| Stage port | 8-ways balanced analog audio output (1×DB25 connector) |
| Mixer port | 24-ways balanced analog audio output(1×DB25 connector) |
| Maximum output level | +20dBu |
| Dynamic range up | 110 dB |
| THD+N (1kHz@-1dBFS) | 0.0022% |
| Delay (12S-12S) | <200µs |
| Delay (device port to port) | <1.3ms |
| Ethernet connection | 100Mbps full-duplex transmission |
| UTP-5 transmission distance | 100m |
| Power supply | AC~220V/50-60Hz 25W |

PX 7000 System Specifications:

- Input: 1 x 32A 220-250V three-core, CEE IP44 socket
- Output 6: 1 x 32A 220-250V three-core, CEE IP44 socket
- Output 5: 1 x 32A 220-250V three-core, CEE IP44 socket
- Output 1-4: 1 x 16A 220-250V three-core, CEE IP44 socket
- Max power: 73KVA
- Fuse 1-4: 16A/16A 220/230V
- Fuse 5: 16A 220/230V
- Fuse 6: 32A 220/230V
- Case: 2U rack height with 1.5mm thickness metal
- Weight: 6kg



PX 40K System Specifications:

| | |
|------------------------|--|
| Case | 19" front & back door with butterfly-shape lock, four wheels (two wheels with brake) |
| Max output | 43KVA |
| Max input | 3 x 63A Cekon socket |
| A1-A8 and B1-B8 output | 8 x 16A Schuko socket, 8 x 16A China socket |
| C1 and C2 output | 3 x 32A five-core Cekon socket |
| D1-D6 output | 32A three-core socket |
| Monitor | 3 x Voltmeter, 15 x control lamp |
| Weight | 45kg |
| Dimension (W x D x H) | 1120 x 700 x 630mm (19"20U rack) |