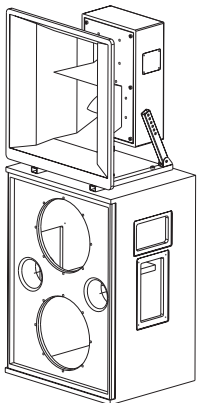




CS3412AII

THEATER MAIN SPEAKER

USER MANUAL



ED-B3-MA-111216-002



Features:

- **Four transducers three way phase-inversed surrounding cinema speaker, professional high efficient transducers. Computer simulating design.**

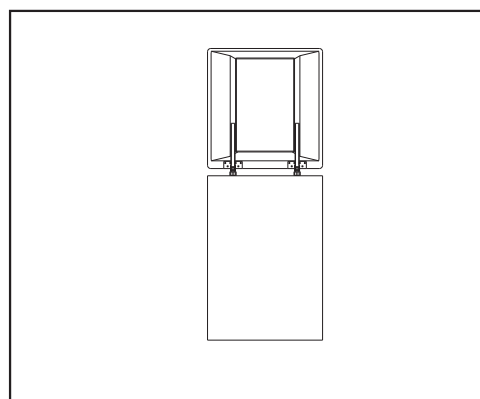
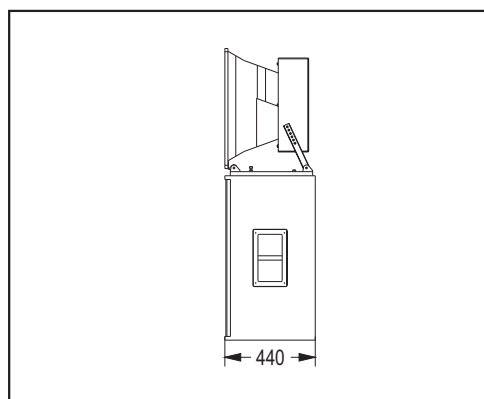
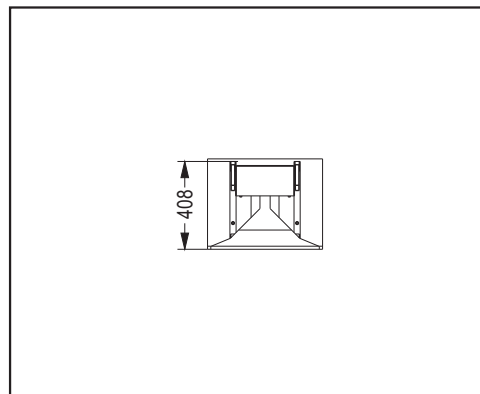
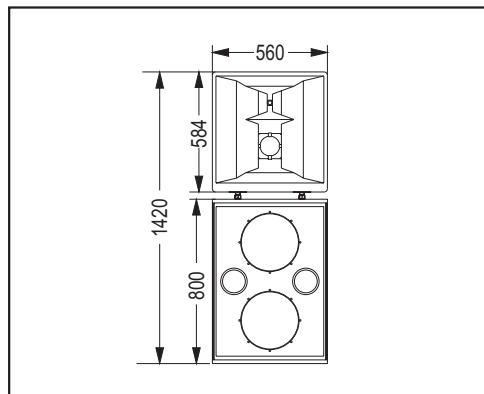


- Four transducers three way full range
- High SPL, high sensitivity
- Two 12" big power woofers
- One 8" compression horn mid range transducer,
- One compression driver with 44mm titanium diaphragm
- Built-in crossover for HF/MF. external crossover for MF/HF
- 90° × 40° wide dispersion can get the wider covering
- Computer simulating design provide very good Frequency response and phase feature
- Very convenient walling installation mode
- Suitable for THX,DTS and other multi-channel surrounding sound reinforcement in cinema
- Suitable for Mid/small cinema audio system
- Combining with β 3 special speaker controller Σ C-2600 can get good frequency response and phase
- Can work with β 3 CSB218A,CSR210A,CSR212A,CSR215A when used for high quality music replaying

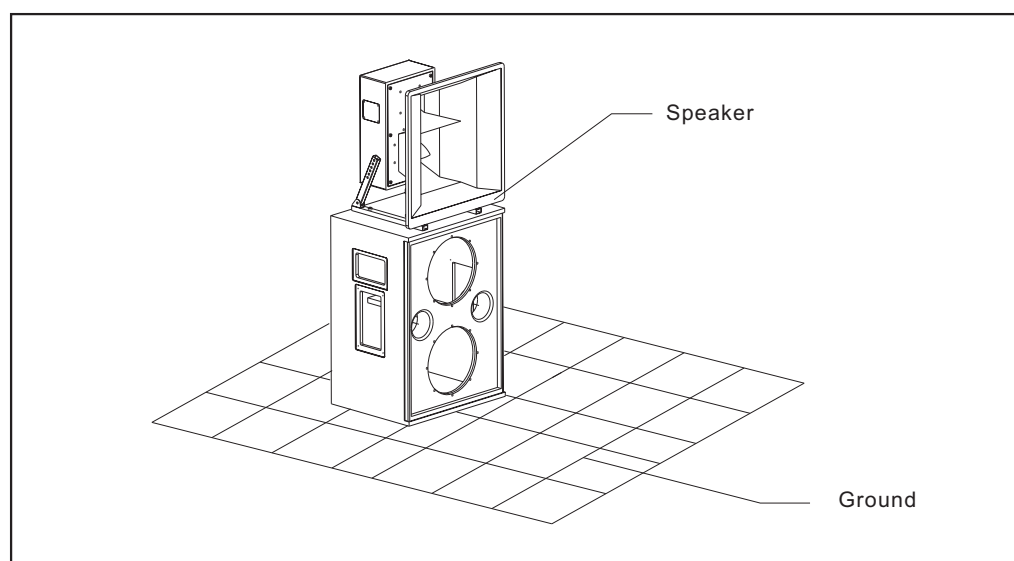
Specifications:

Transducers	Bass: 12"×2; Mid: 8"×1; Treb: φ 44mm×1
Frequency response(-3dB/-10dB)	LOW:43Hz-800Hz/35Hz-3kHz, MID/HIGH:400Hz-20kHz/300Hz-20kHz
Sensitivity(1m/1W)	LOW:100dB, MID/HIGH:103dB
Xover point	LOW/MID:450Hz, MID/HIGH:2.2kHz
Dispersion(H×V)	90° × 40°
Power(RMS)	LOW:500W, MID/HIGH:200W
Rated impedance	LOW:4 Ohm, MID/HIGH:8 Ohm
DC impedance	LOW:2.8 Ohm, MID/HIGH:4.8 Ohm
THD	<3 %
Input	Spring clip
Net weight	LOW:40kg, MID/HIGH:14.4kg
Gross weight	LOW:45kg, MID/HIGH:19kg
Dimensions(W×D×H)	LOW:560×440×800mm, MID/HIGH:560×408×584mm
Packing dimensions(W×D×H)	LOW:670×550×920mm, MID/HIGH:700×686×535mm

Cabinet Dimension:



Installation drawing:



CS3412AII
THEATER MAIN SPEAKER