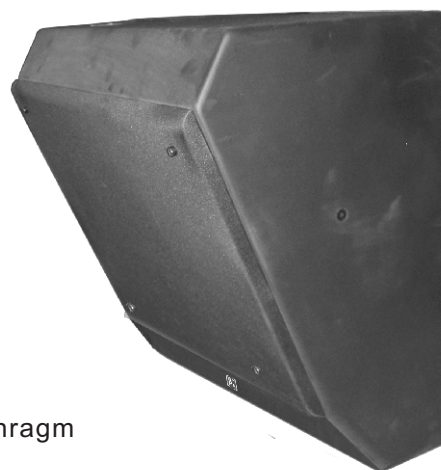




## Features :

- **Two transducers two way phase-inversed surrounding cinema speaker, professional high efficient transducers. Computer simulating design.**

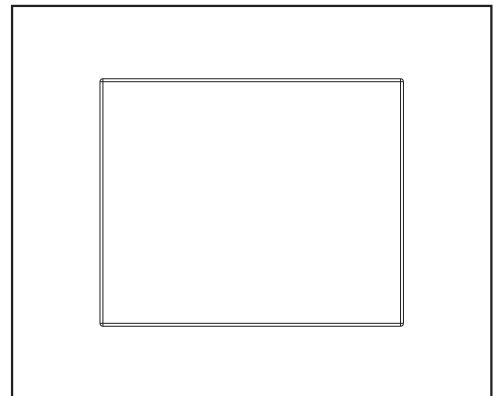
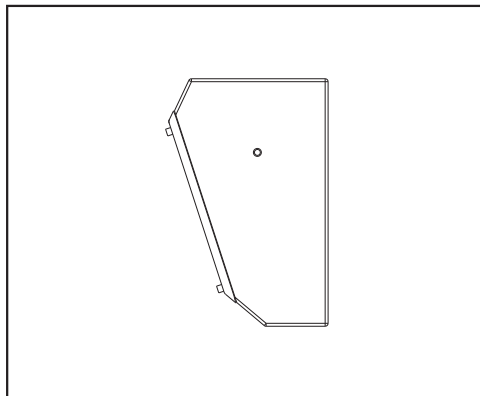
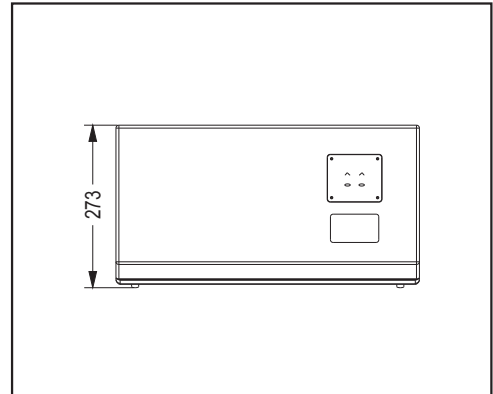
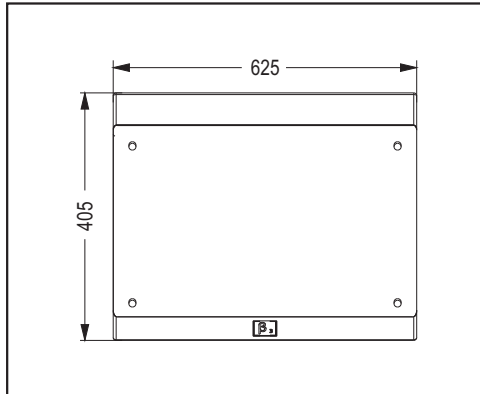


- Two transducers two way full range
- High SPL, high sensitivity
- One 12" big power woofer
- One compression driver with 44mm titanium diaphragm
- Built-in electronic protection crossover
- (50-100)° × 55° wide dispersion can get the wider covering
- Computer simulating design provide very good Frequency response and phase feature
- Very convenient walling installation mode
- Suitable for THX,DTS and other multi-channel surrounding sound reinforcement in cinema
- Suitable for big/mid cinema audio system
- Can work with β3 CSB218A,CS3412A,CS3415A when used for high quality music replaying

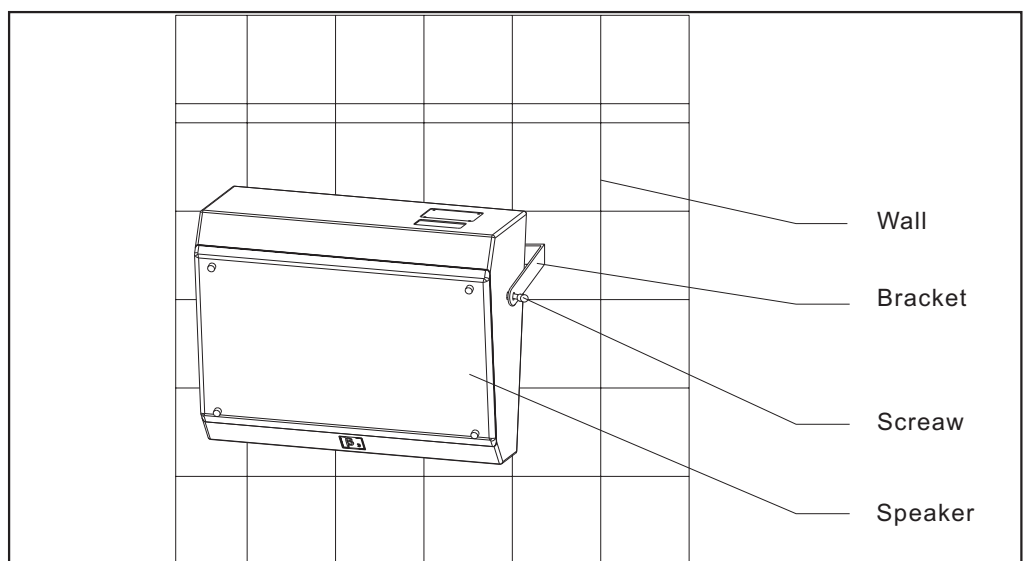
## Specifications :

Transducers	Bass: 12"×1; Treb: φ 44mm×1
Frequency response(-3dB/-10dB)	55Hz-20KHz/42Hz-20KHz
Sensitivity(1m/1W)	94dB
Xover point	2.2KHz
Dispersion(H×V)	(50-100)°×55°
Power(RMS)	300W
Rated impedance	8 Ohm
DC impedance	5.6 Ohm
THD	<3%
Input	Spring clip
Net weight	18.5Kg
Gross weight	23Kg
Dimensions(W×D×H)	625×273×405mm
Packing dimensions(W×D×H)	495×391×705mm

## Cabinet Dimension:



## Installation drawing:



**CSR212A**  
**THEATER SURROUNDING SPEAKER**