



ΣS215/500

Toasting paint speaker

User's manual



ED-B3-MA-050719-004



Features:

■ **Two transducers two way phase-reversed full range professional speaker, professional and efficient transducers, computer simulating design.**

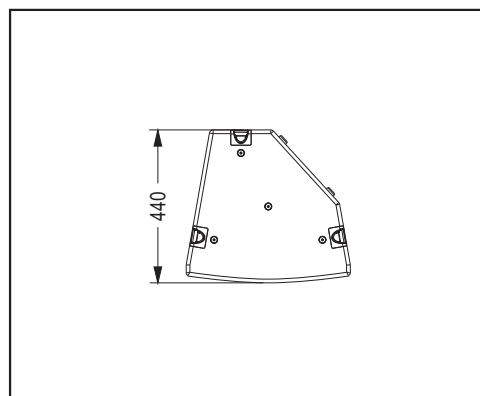
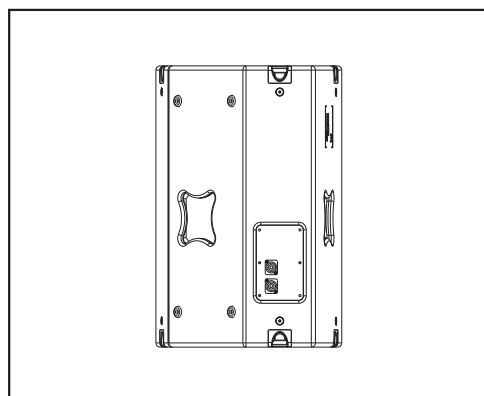
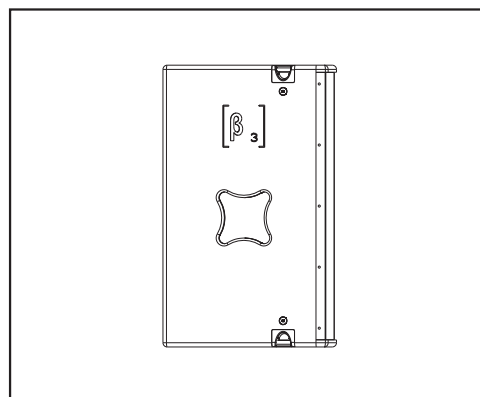
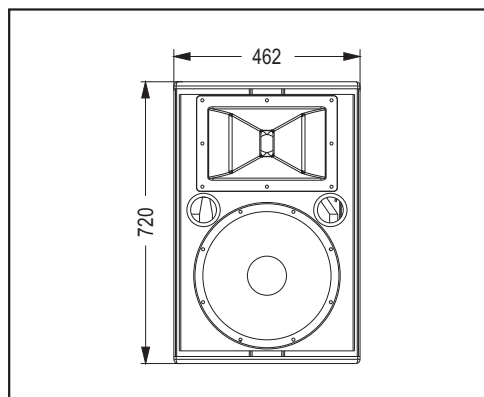
- Two transducers two way full range
- High SPL and sensitivity speaker
- One 15" big power low frequency transducer
- One compression driver with 3" titanium diaphragm
- Driven by one amplifier 80° ×50° width direction to get more widely enlarge capability
- With computer optimize simulated design to get better frequency and phrase features
- Multiple flexible installation methods
- Suitable for full sound field enlarge, club and dancery etc publics using
- Suitable for any big sound engineering project or enlarge, returning listen, repair listen of fluxion performance system
- Used for high quality output replaying music,
- Can be assorted with ΣB115H、ΣB118D、ΣB218 high capacity bass box



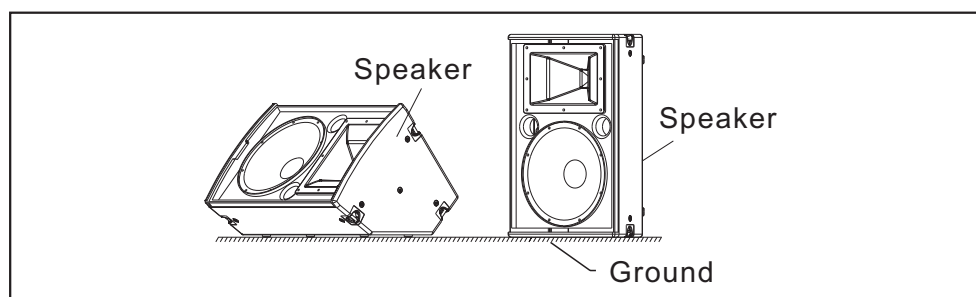
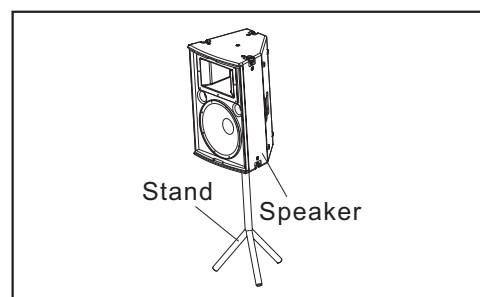
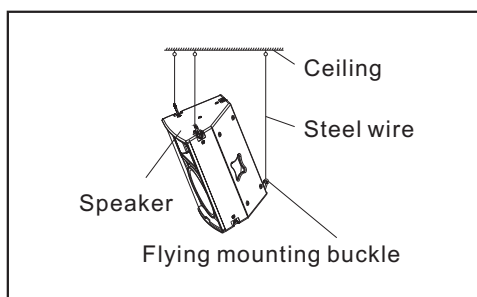
Specifications:

Frequency Response(-3dB):	50Hz-16KHz
Sensitivity(1m/1W):	97dB
Crossover Frequency:	1.8KHz
Dispersion(H×V):	80° ×50°
Rated Power(RMS):	500W
Rated Impedance:	8 Ohm
DC Impedance:	5.6 Ohm
THD:	<3%
Input Connectors:	NL4×2
Net Weight(1Pcs):	35Kg
Gross Weight:	39Kg
Dimensions (W×D×H):	462×440×720mm
Packaging Dimensions 1pcs/pack(W×D×H):	570×550×840mm

Cabinet Dimension:



Installation drawing:



Σ5215/500
FULL RANGE PROFESSIONAL SPEAKER