



Beta Three

ΣS2153

FULL RANGE PROFESSIONAL SPEAKER

3G-β3-MA-170620-001



USER'S MANUAL

FULL RANGE PROFESSIONAL SPEAKER

FEATURES

- Three transducers two ways full range phase-reversed speaker, High capability transducer with computer simulated design.
- Three transducers two way full range
- High SPL and sensitivity speaker
- Two 15" big power low frequency transducer
- One compression driver with 3" titanium diaphragm
- Driven by one amplifier
- 60° X40° width direction to get more widely enlarge capability
- With computer optimize simulated design to get better frequency and phrase features
- Multiple flexible installation methods
- Suitable for full sound field enlarge, club and dancery etc publics using
- Suitable for any big sound engineering project or enlarge, returning listen, repair listen of fluxion performance system
- Used for high quality output replaying music, Can be assorted with ?B115H、?B118D、?B218 high capacity bass box

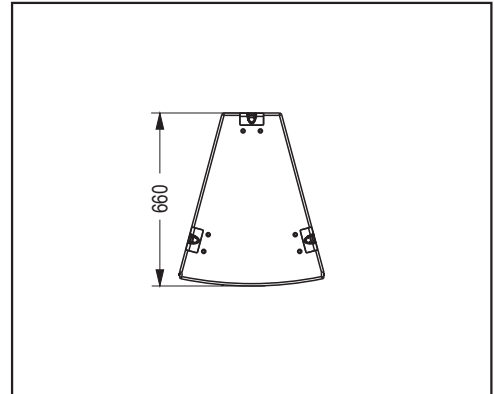
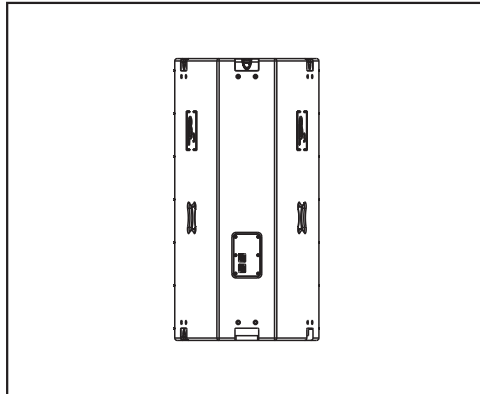
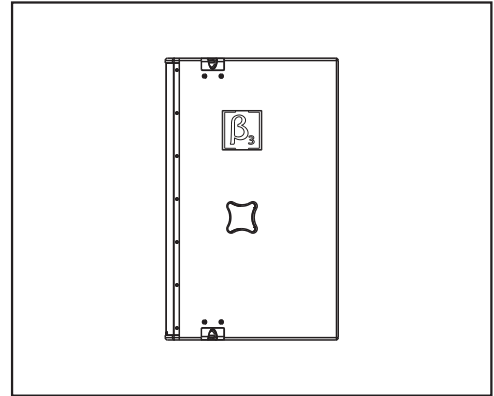
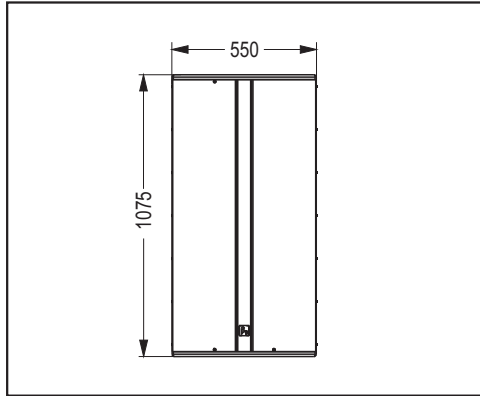


TECHNICAL PARAMETERS

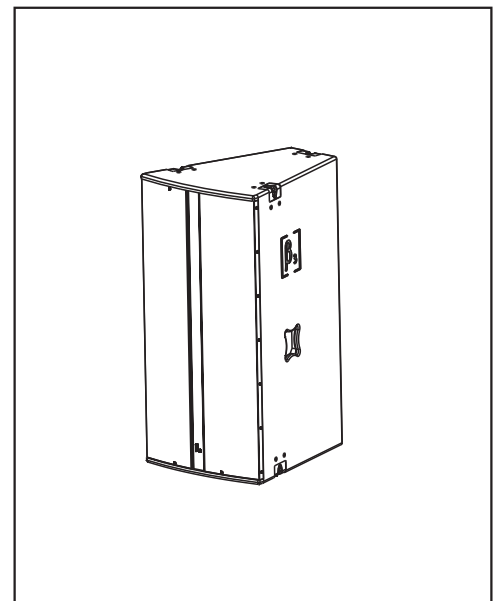
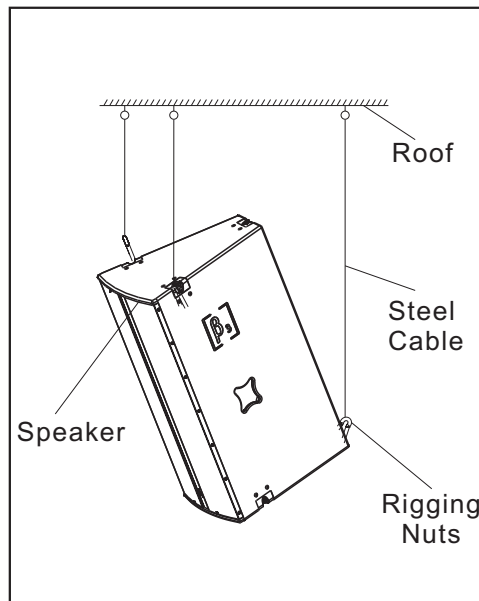
Frequency Response(-3dB)	45Hz-16KHz
Sensitivity(1m/1W)	98dB
Crossover Point	1.7KHz
Dispersion(H×V)	60° × 40°
Rated Power	750W
Rated Impedance	4 Ohm
DC Impedance	3.2 Ohm
THD	<3%
Input Connectors	5094 × 2
Net Weight(lpcs)	63Kg
Gross Weight(lpcs)	67.5Kg
Dimensions (W × D × H)	550 × 660 × 1075mm
Packing Dimensions(W × D × H)	1185 × 660 × 780mm

FULL RANGE PROFESSIONAL SPEAKER

STRUCTURE & DIMENSIONS



INSTALLATIONS





Σ52153
FULL RANGE
PROFESSIONAL SPEAKER

User's Manual
www.beta3pro.com