



Beta Three

# N15



**USER'S MANUAL**

3G- β 3-MA-161216-001



---

## CONTENTS

<b>Product features</b> .....	1
<b>Specifications</b> .....	1
<b>Acoustic charts</b> .....	2
<b>Installation</b> .....	6
<b>Dimensions</b> .....	6
<b>Limited warranty</b> .....	7

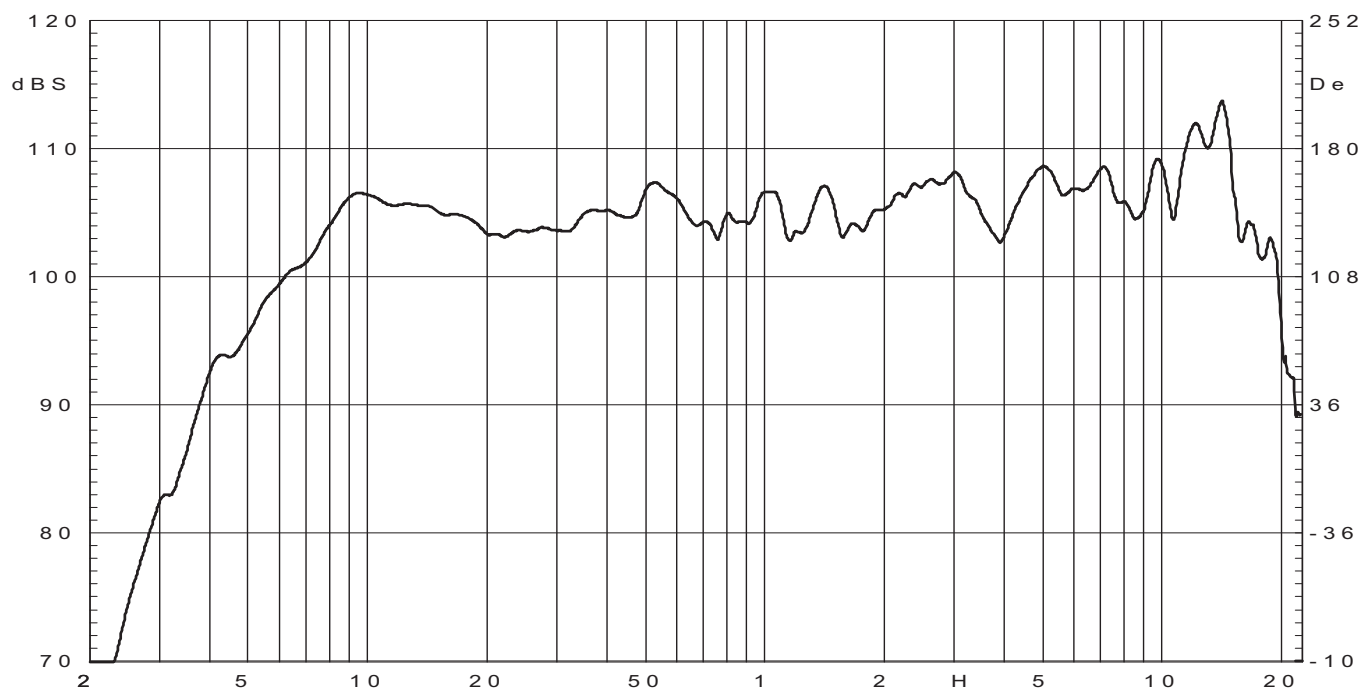
## PRODUCT FEATURES

- Two transducers two-way full range plastic speaker, adopting high efficiency transducers. With computer simulation design.
- N15 is high SPL, dynamic power full range passive plastic speakers.
- 90° x 40° dispersion
- Used for full fields sound reinforcement, bar and dancing pool applications
- Suitable for many large-scale sound engineering or touring live performance monitor, reproducing and equalizing using.
- Flexible installations and convenient for any venues applications

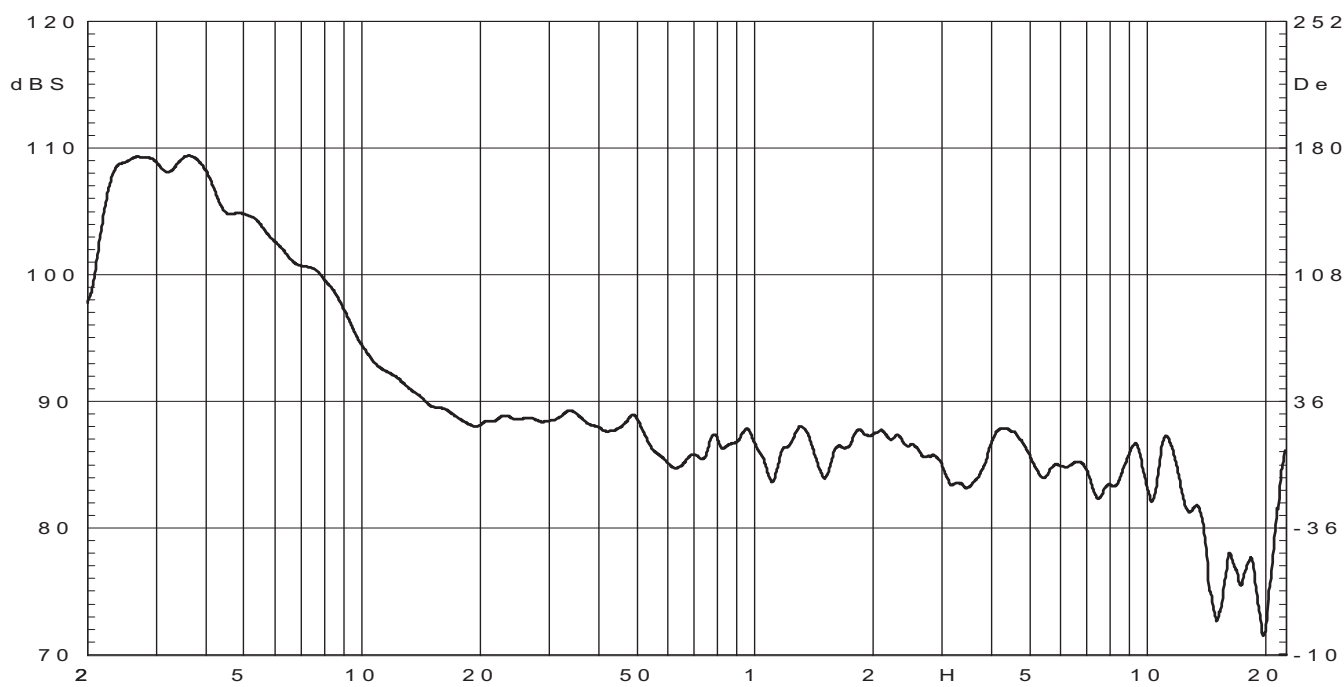
## SPECIFICATIONS

Transducers	LOW : 15" x 1 i : 44 mm
Frequency Response(-3dB):	50HZ- 18kHz
Sensitivity (1m/1W)	97dB
Crossover	2kHz
Dispersion (H×V)	90° x 40°
Rated Power (RMS)	300W
Impedance:	8ohm
DC Resistance :	6.4ohm
THD	< 3 %
Input/Output:	N 4 x 2 , 1+ 1-
Net Weight	24.5kg
Gross Weight	27kg
Dimensions (W×H×D)	488x 700x 460mm
Packing Dimensions ( W x H x D )	545x 800x 515mm

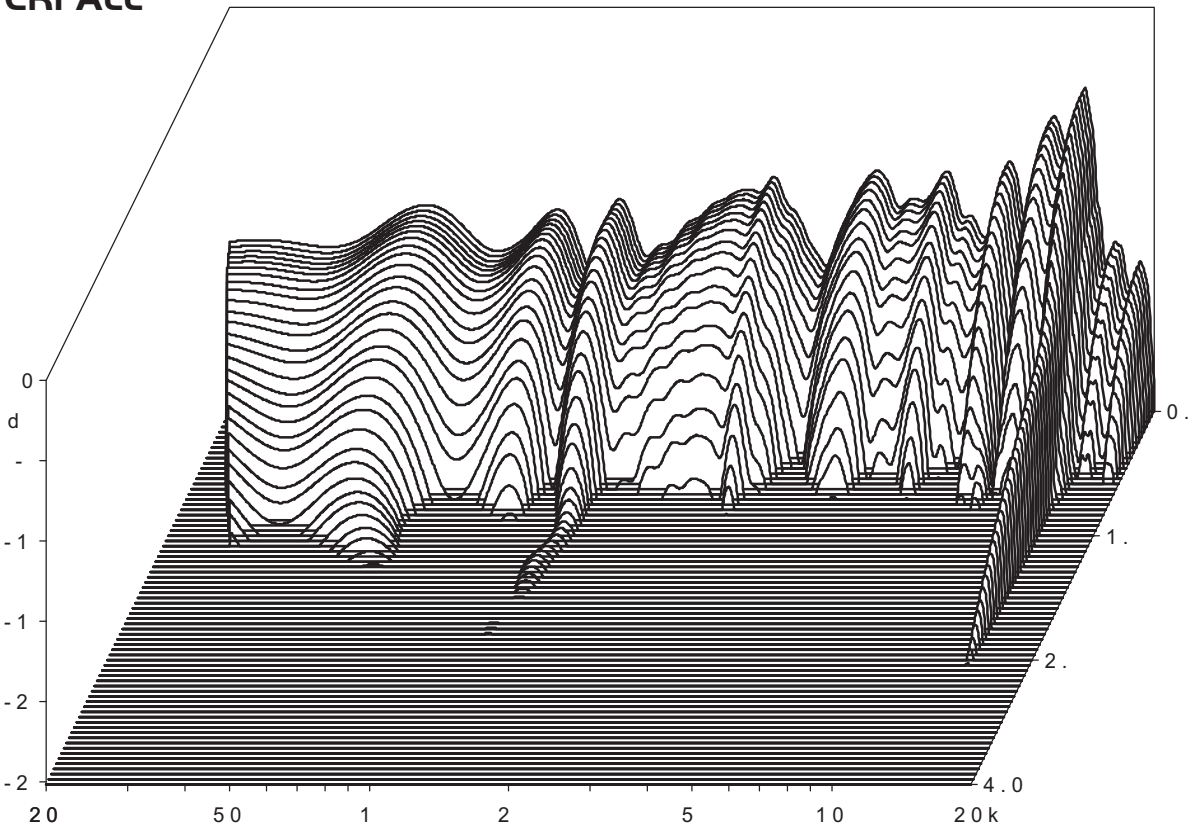
## FREQUENCY RESPONSE



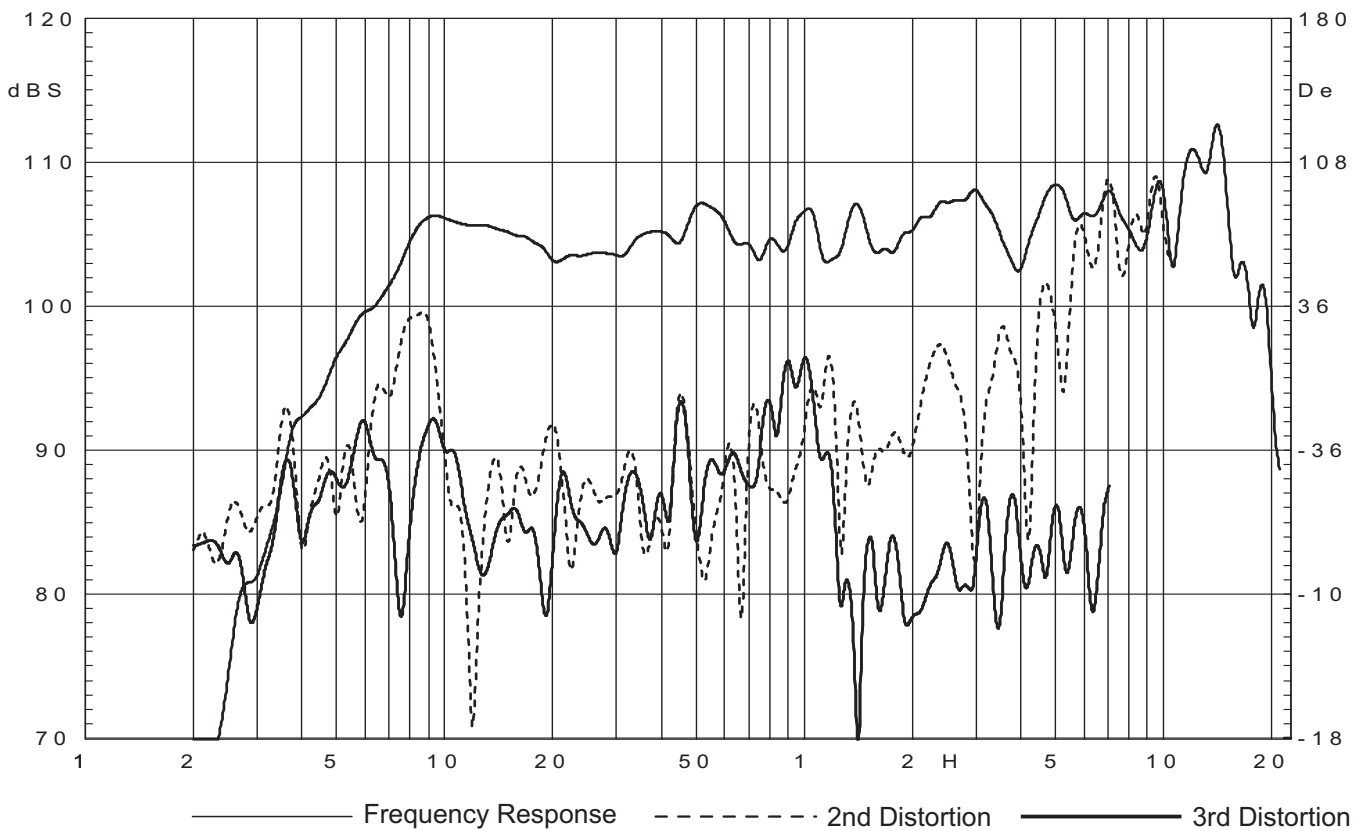
## PHASE CURVE



## WATERFALL

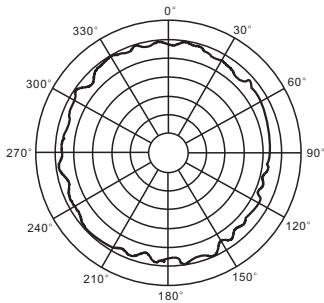


## THD

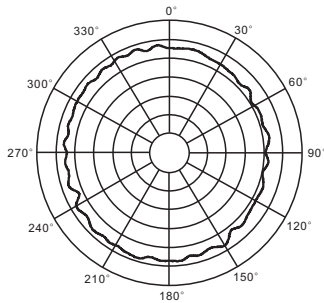


## HORIZONTAL DIRECTIVITY

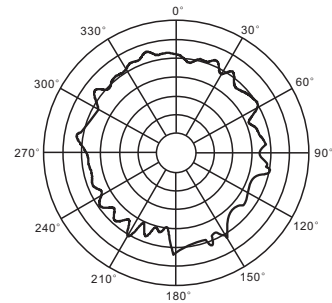
The data of N15 horizontal directivity were collected by testing the speaker system in a big anechoic chamber.



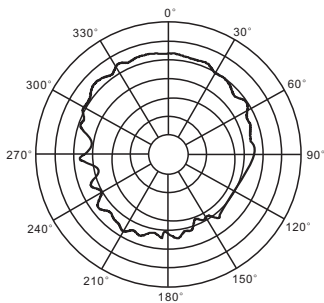
100Hz



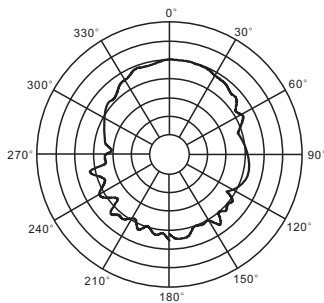
160Hz



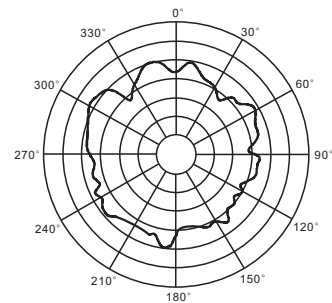
200Hz



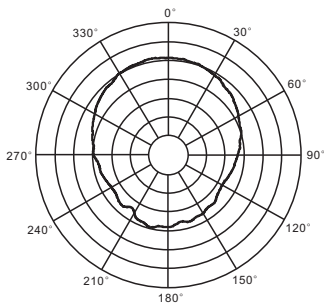
400Hz



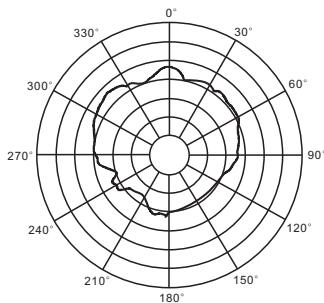
630Hz



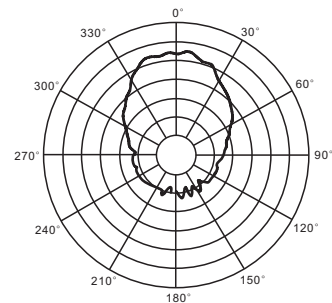
1.0kHz



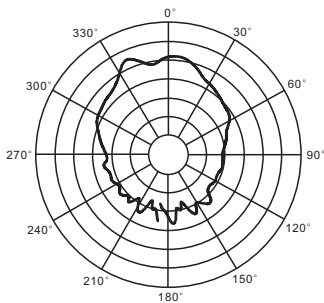
1.6kHz



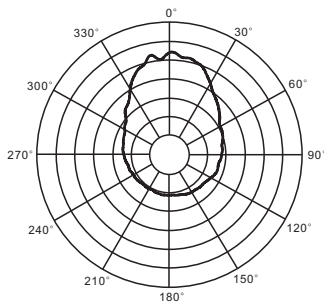
2.5kHz



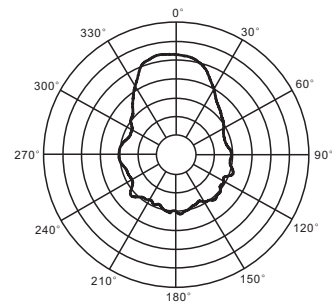
3.15kHz



6.3kHz



10kHz

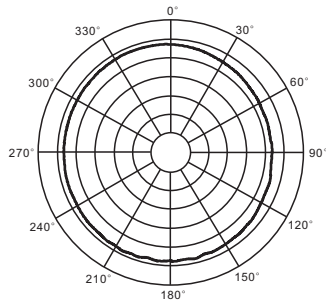


16kHz

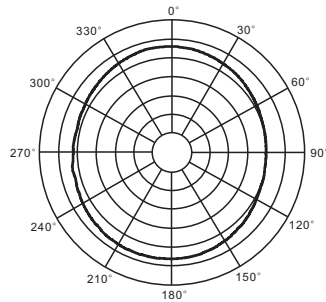
The scale is stepped by 6dB increment.

## VERTICAL DIRECTIVITY

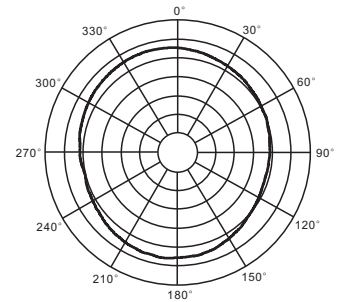
The data of N15 vertical directivity were collected by testing the speaker system in a big anechoic chamber.



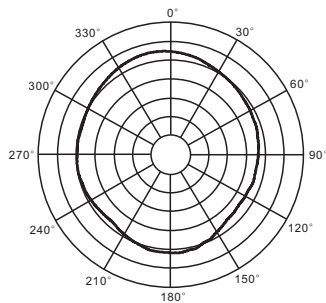
100Hz



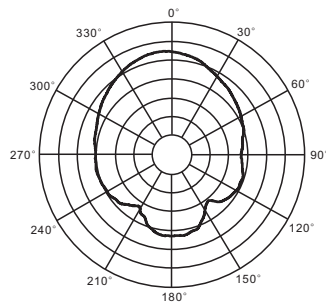
160Hz



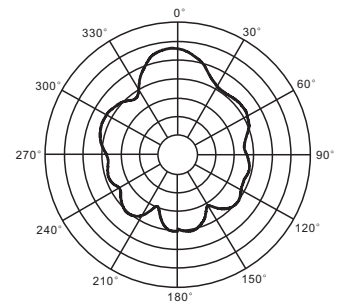
200Hz



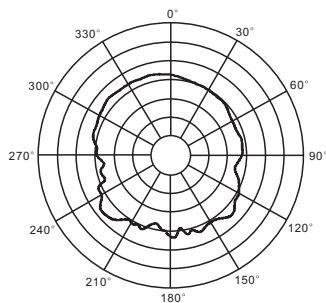
400Hz



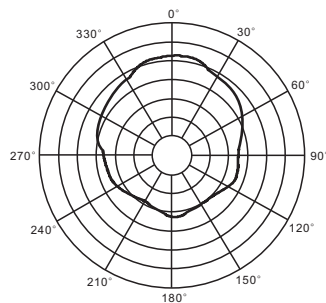
630Hz



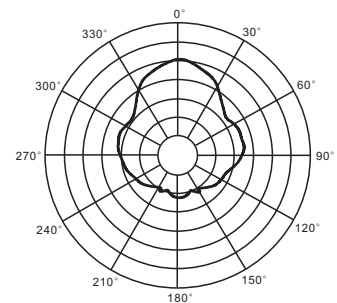
1.0kHz



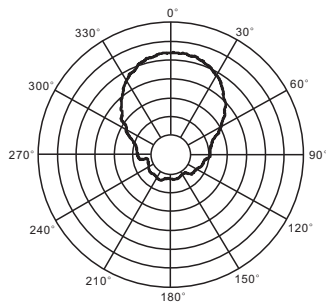
1.6kHz



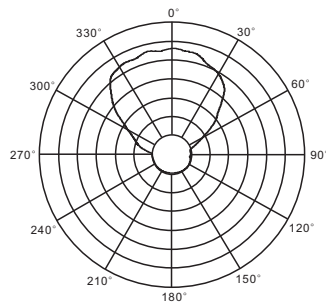
2.5kHz



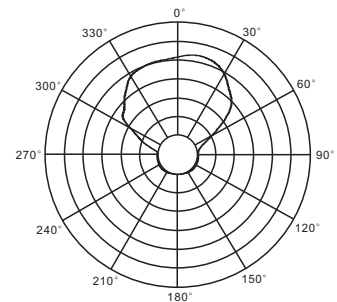
3.15kHz



6.3kHz



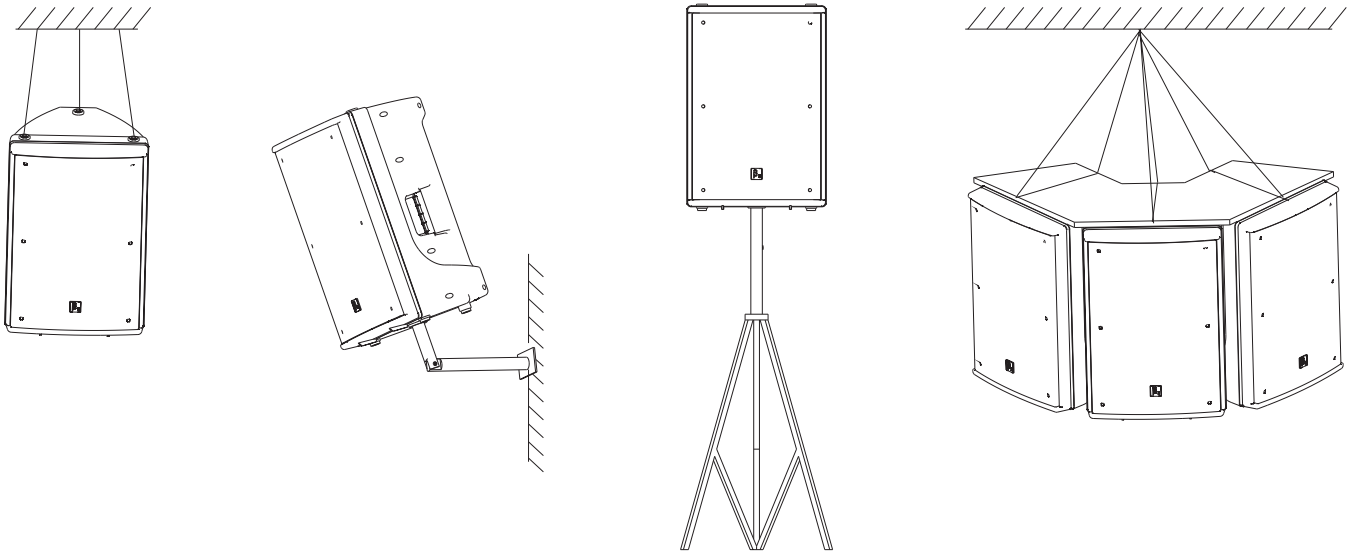
10kHz



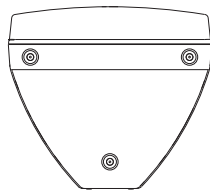
16kHz

The scale is stepped by 6dB increment.

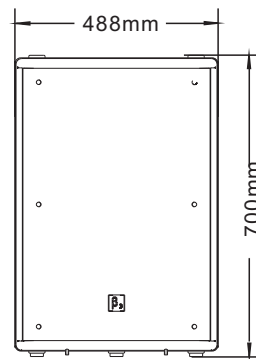
## INSTALLATION



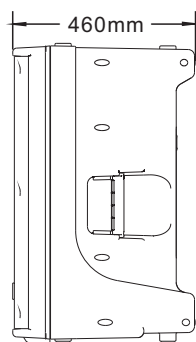
## DIMENSIONS



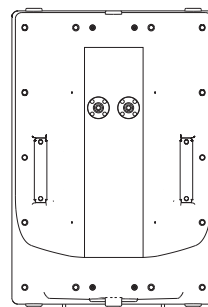
Planform



Front view



Side view



Back view



## LIMITED WARRANTY

---

If malfunction occurs during the specified warranty period from the date of original purchase, the product will be repaired or replaced without charge by Elder Audio.

The Limited Warranty does not apply to:

- (a) exterior finish or appearance;
- (b) certain specific items described in the individual product data sheet or owner's manual;
- (c) malfunction resulting from use or operation of the product other than as specified in the individual product data sheet or owner's manual;
- (d) malfunction resulting from misuse or abuse of the product;
- (e) malfunction occurring at any time after repairs have been made to the product by anyone other than Elder Audio Service or any of its authorized service representatives.

To obtain warranty service, customer must deliver proof of purchase of the product in the form of a bill of sale or receipt invoice.

N15a Speakers and Speaker Systems are guaranteed against malfunction due to defects in materials or workmanship for a period of three (3) years from the date of original purchase. The Limited Warranty does not apply to burned voice coils or malfunctions such as cone and/or coil damage resulting from improperly designed enclosures. Additional details are included in the Limited Warranty statement.

N15a Accessories are guaranteed against malfunction due to defects in materials or workmanship for a period of one (1) year from the date of original purchase. Additional details are included in the Limited Warranty statement.

N15a Flying Hardware (including enclosure-mounted hardware and rigging accessories) is guaranteed against malfunction due to defects in materials or workmanship for a period of one (1) year from the date of original purchase. Additional details are included in the Limited Warranty statement.

**Specifications are subject to change without notice.**



Beta Three

**N15**