

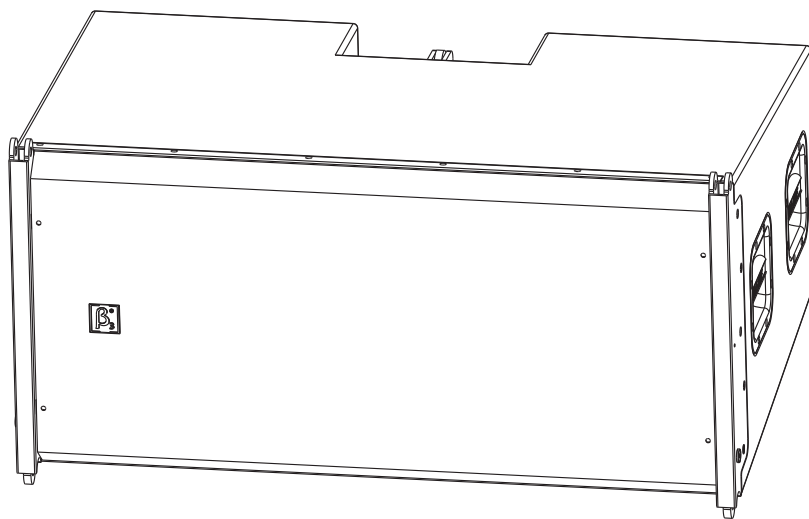


Beta Three

TLB-121F

Dual 15" Subwoofer Weatherproof
Line Array Speaker System

User Manual





UM-TLB-121F-20120326 ver A



SAFETY INSTRUCTIONS

PLEASE READ THIS MANUAL FIRST

Thank you for a buying β_3 product. Read this manual first as it will help you operate the system properly. Please keep this manual for future reference.

⚠ WARNING: *This product must be installed by professionals. When using hanging brackets or rigging other than those supplied with the product, please ensure they comply with the local safety codes.*

	CAUTION RISK OF ELECTRICAL SHOCK DO NOT OPEN	
CAUTION: TO REDUCE THE RISK OF ELECTRIC SHOCK, DO NOT REMOVE COVER (OR BACK). NO USER-SERVICABLE PARTS INSIDE. REFER SERVICING TO QUALIFIED PERSONNEL.		

	AVIS RISQUE DE CHOC ÉLECTRIQUE NE PAS OUVRIR	
ATTENTION : POUR RÉDUIRE LE RISQUE DE DÉCHARGE ÉLECTRIQUE, NE RETIREZ PAS LE COUVERCLE (OU L'ARRIÈRE). IL NE SE TROUVE À L'INTÉRIEUR AUCUNE PIÈCE POUVANT ÊTRE RÉPARÉE PAR L'USAGER. S'ADRESSER À UN RÉPARATEUR COMPÉTENT.		

 **The exclamation point within an equilateral triangle is intended to alert you to the presence of important operating and servicing instructions.**

⚠ ATTENTION: *Don't refit the system or spare parts without being authorized as this will void the warranty.*


⚠ WARNING: *Don't place naked flames (such as candles) close to the equipment.*

1. Read the instruction manual first before using this product.
2. Please keep this manual for future reference
3. Pay attention to all warnings.
4. Obey all operating instructions.
5. Do not expose this product to rain or moisture.
6. Clean this equipment with a dry cloth.
7. Do not block any ventilation openings. Install according to manufacturer's instructions .
8. Do not install this product near any heat source, such as a, heater, burner, or any other equipment with heat radiation .
9. Only use spare parts supplied by the manufacturer.
10. Pay attention to the safety symbol on the outside of the cover.



CONTENTS

PRODUCT INTRODUCTION	3
Main Features	3
Product Description	3
Application	3
CONNECTION	4
Terminal Plate	4
Connection	4
System Connection Demonstration	4
INSTALLATION	5
Installation Accessories	5
Installation Reference	5
TECHNICAL SPECIFICATION	6
Specification	6
Frequency Response	6
Impedance Curve	6
Dimension Drawing	7

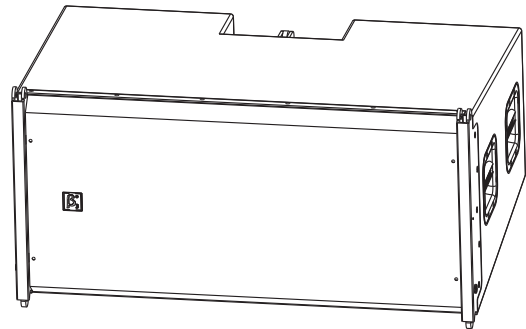
 Product information may be updated without notification, please visit www.elderaudio.com for latest update.

TLB-121F

Dual 15" Subwoofer Weatherproof Line Array Speaker System

Main Features

- Dual 15" Subwoofer.
- Long term continuous power: 1800W.
- Frequency response: 40Hz-500Hz (-3dB).
- Sensitivity: 97dB, Max SPL: 122dB/128dB(PEAK).
- Appropriate hanging frame with shackle for installation.



Product Description

T-Line Weatherproof Line Array is composed by a dual 12" full range element TLA-121F and a suspend-able dual 15" subwoofer TLB-121F. Compact construction, light weight and quick installation makes the system most suitable for outdoor touring performance applications.

T-Line Weatherproof Line Array Speakers were designed in accordance with IP54 Standard, mainly be applicable for outdoor touring performance.

The adjacent speakers can achieve the seamless coupling and form the consistent cylindrical wave. The adjustable angle between two adjacent speakers is 0° - 10°.

Magnetic circuit of LF is optimized through the finite element analysis to achieve the ultra-low distortion and maximum clarity under the high SPL. Overheated protection for drivers, perfect and reliable circuit protection.

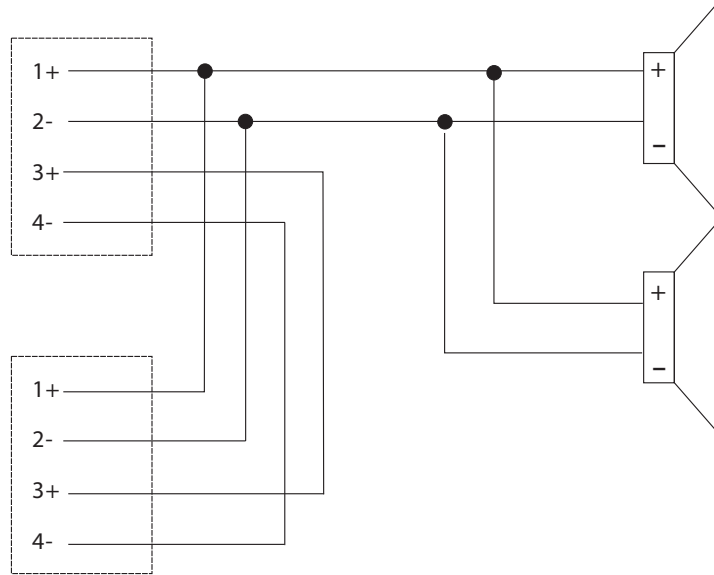
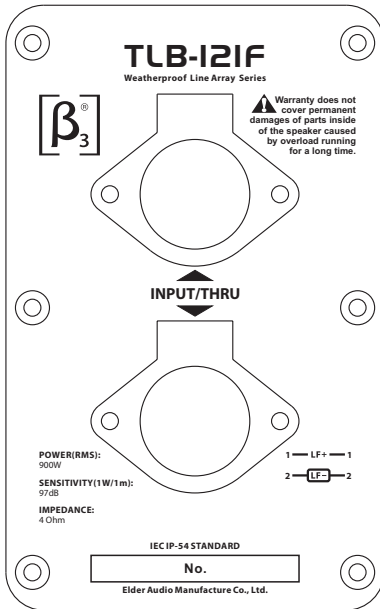
TLB-121F adopts multifunctional structure design and Russian birch, weatherproof polyurethane painting provides super strong weather resistance.

Application

- Religion Place
- Auditorium
- Multi-function hall
- Theater
- All kinds of living performance
- Sports events
- Mobile performance

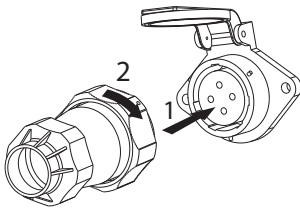
TLB-121F has two Speakon NL4 socket and amplifier connection. Two parallel connection socket is convenient to connect with another speaker.

Terminal Plate

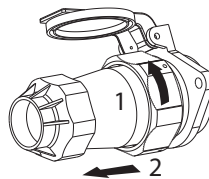


NL4 Connection

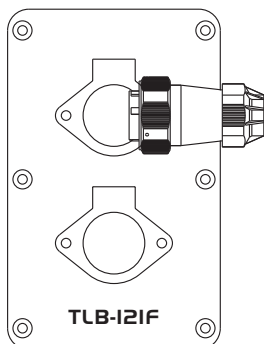
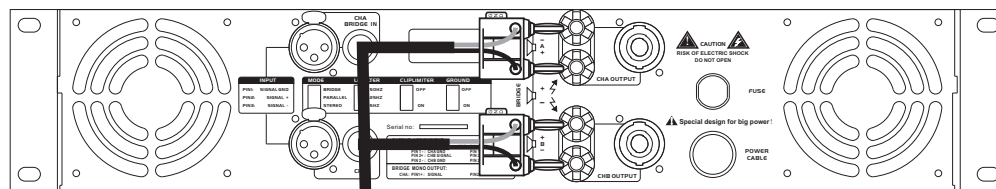
1: Connection



2: Disconnection



System Connection Demonstration



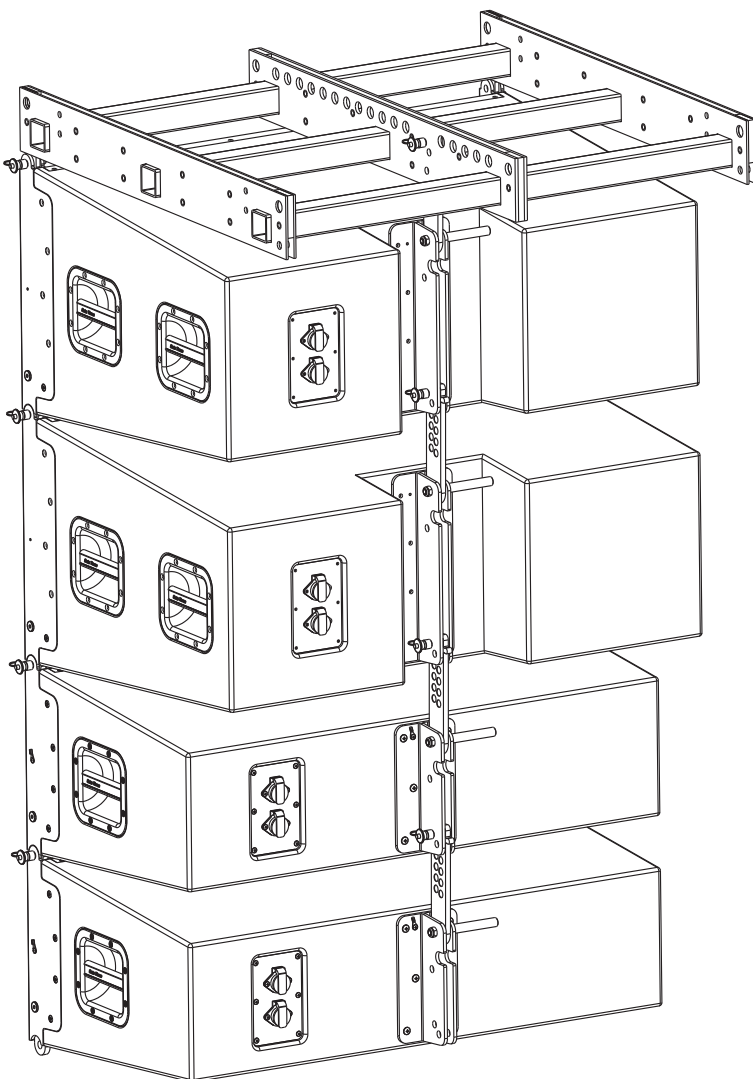
- ⚠ **Note:** The output impedance of speaker and amplifier should be matched.
- ⚠ **Note:** The polar of speaker and amplifier should be correctly connected.

Installation Reference

1: Hanging

Installation Accessories

T-Line Weatherproof Line Array is supplied with flying frame TLA-121F frame is welding steel frame, which maximally hangs 16pcs TLA-121F and 4pcs TLB-121F.



⚠ Warning: Make sure the mounting accessories safety factor not less than 5:1 or meet the local standard during installation .

Specification

System:	Dual 15" Subwoofer Weatherproof Line Array Speaker System
Woofers:	2 x 15" Subwoofer
Frequency response(-3dB): ¹	40Hz-500Hz
Sensitivity(1W@1m): ²	97dB
Max.SPL(1m): ³	122dB/128dB(PEAK)
Power:	900W (RMS) ⁴ 1800W (MUSIC) 3600W (PEAK)
Rated impedance:	4 Ohms
Cabinet:	Birch plywood
Mounting accessories:	Appropriate frame with 3/4"shackle
Handle:	4 x Iron handles
Painting:	Weather resistant polyurethane finish, black powder coating for grille.
Connector:	NL4 x 2 @ 1+ 2-
Cabinet dimension:	965 x 700 x 488mm (W x D x H) (38.0 x 27.5 x 19.2in)
Package dimension:	830 x 570 x 1105mm (W x D x H) (32.7 x 22.4 x 43.5in)
N.W.(pc):	66.5kg(146.3 lb)
G.W.(pc):	75.0kg(165.0 lb)
Optional accessory:	Frame(7.DJ.RH-B01), Wheel bracket (1.AZPJ.3385),4" wheel(7.YXPJ.B06)

Speaker Testing Method

1. Frequency response

Use Pink noise to test the speaker in the anechoic room, adjust the level to make the speaker work at its rated impedance and the power output is 1W, then test the frequency response 1m away from the speaker.

2. Sensitivity

Use full range Pink noise which was modified by EQ curve to test the speaker in the anechoic room, enlarge the signal to make the speaker work at its rated impedance and the power output is 1W, then test the sensitivity 1m away from the speaker.

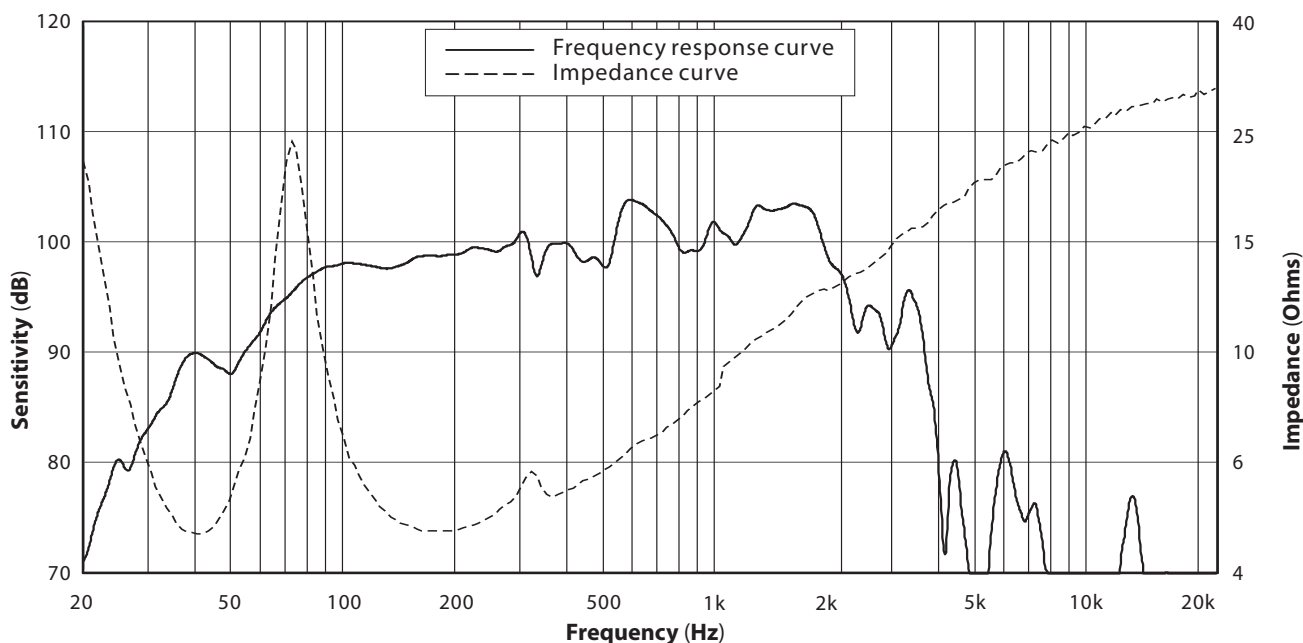
3. MAX.SPL

Use full range Pink noise which was modified by EQ curve to test the speaker in the anechoic room, enlarge the signal to make the speaker work at its instant power output level, then test the SPL 1m away from the speaker.

4. Rated Power

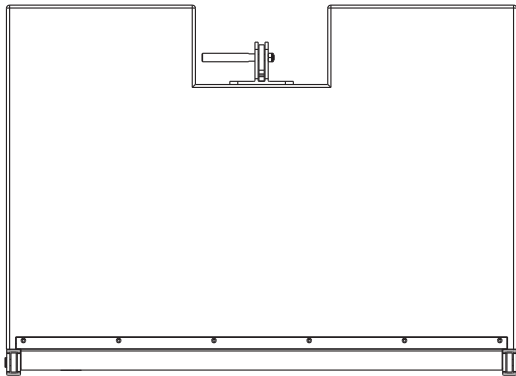
Use the pink noise according to IEC#268-5 to test the speaker, enlarge the signal for continuous 100hours, the rated Power is the power when the speaker will not incur hot damage or mechanics damage.

Frequency response curve & Impedance curve

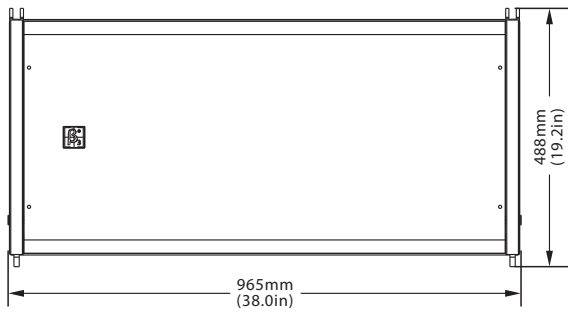


Dimension Drawing

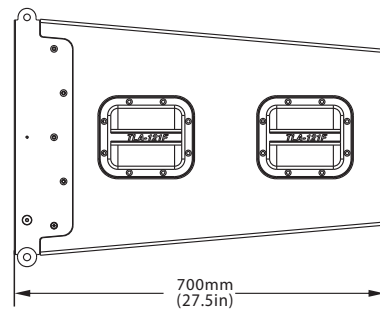
Top view



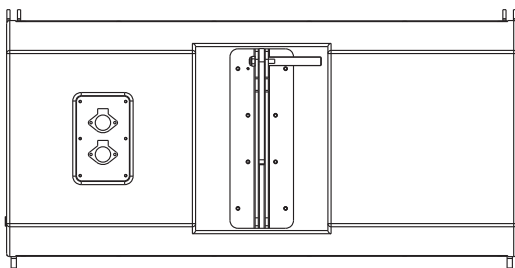
Front view



Side view



Back view



Notes:



Beta Three